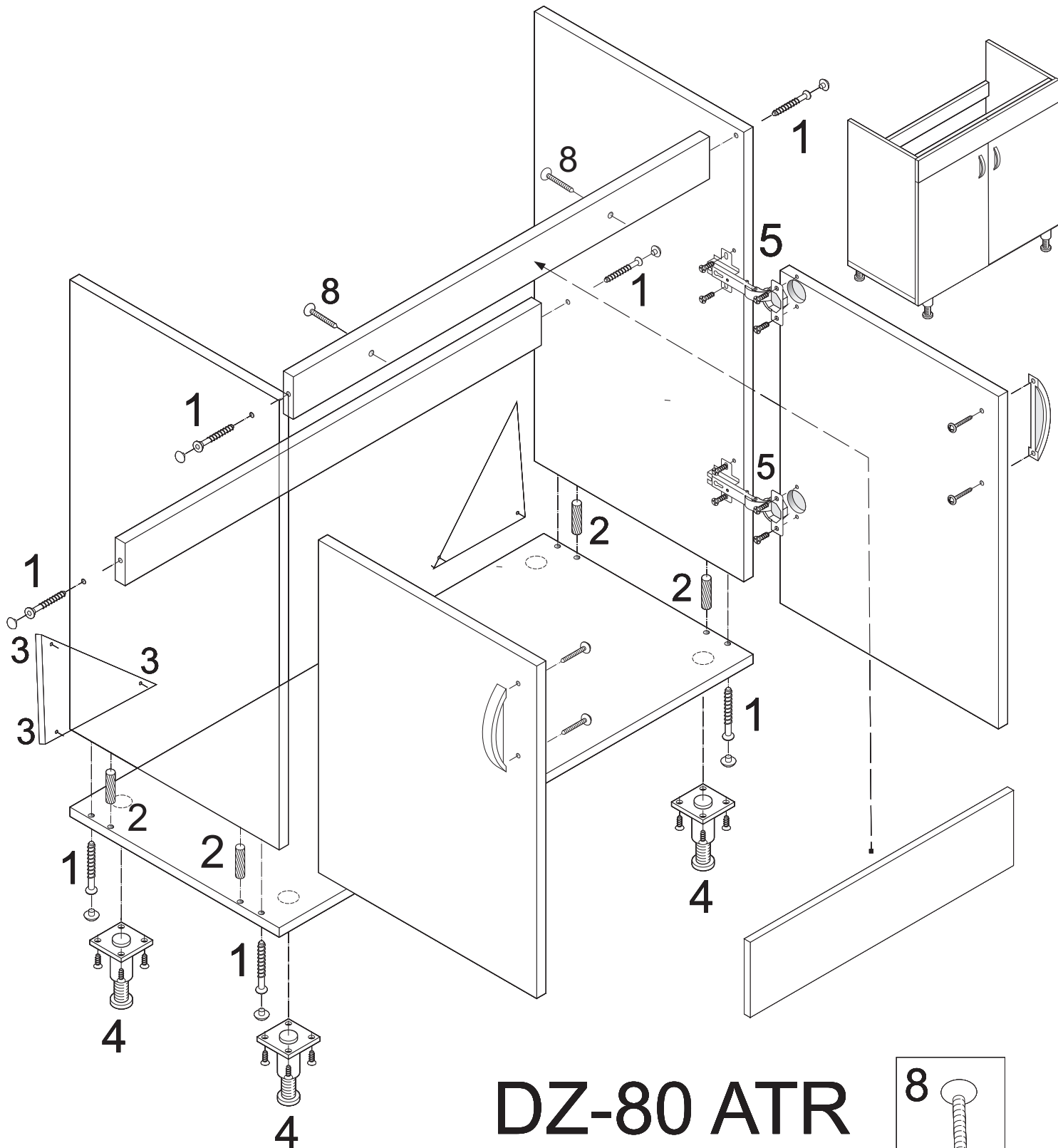
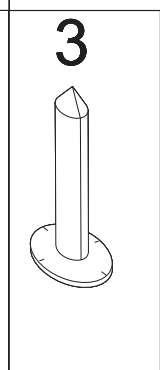
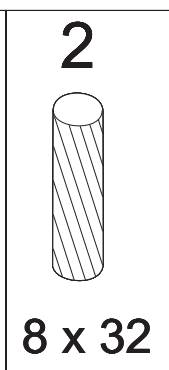
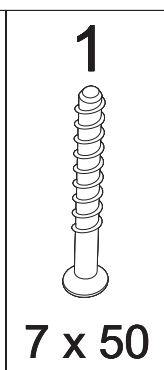
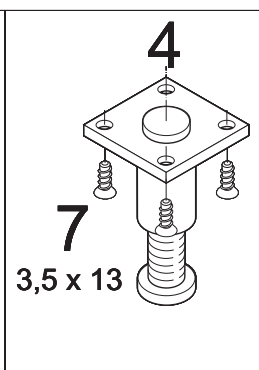
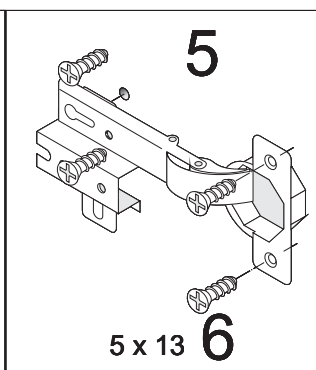
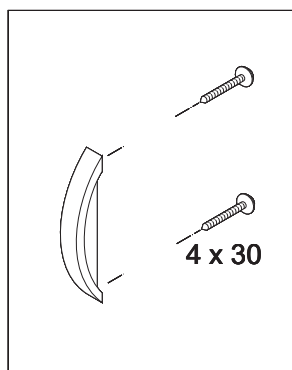
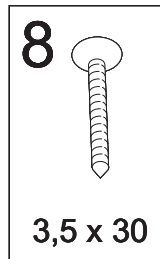


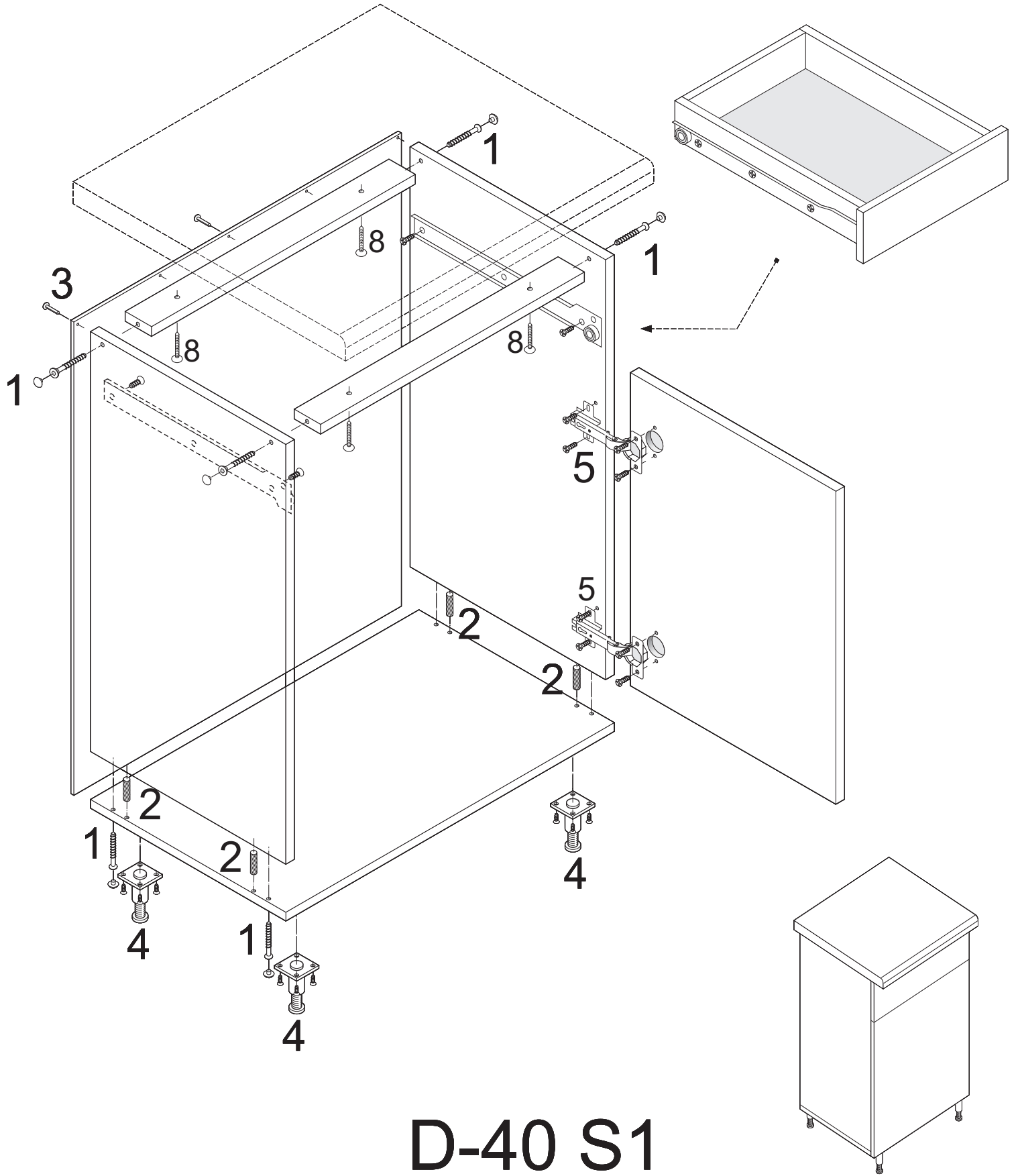
JURA B + JURA BA



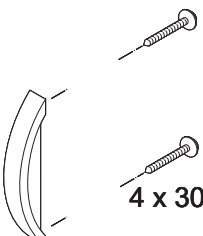
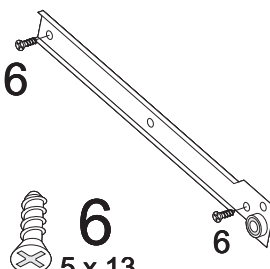
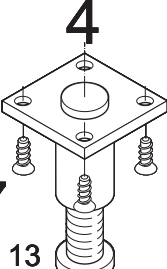
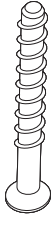
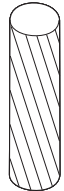
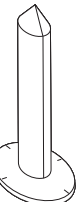
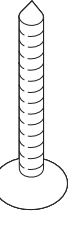


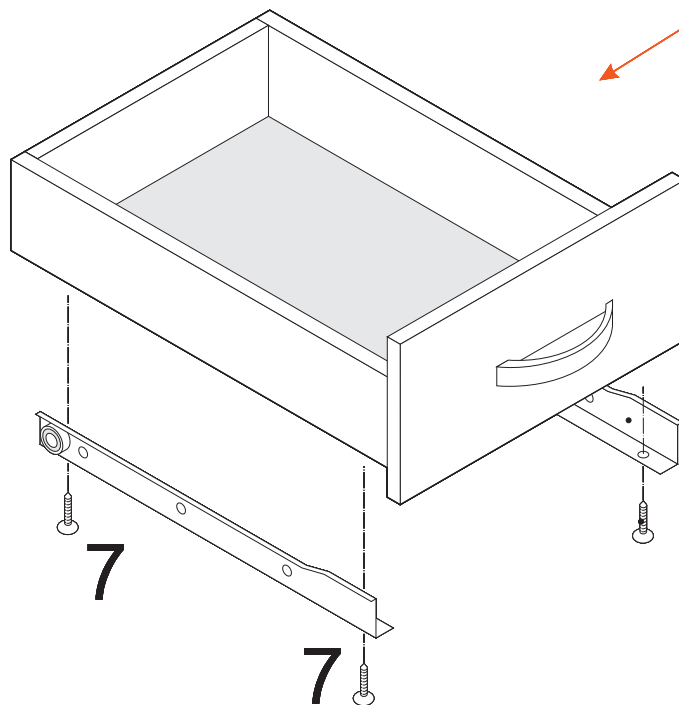
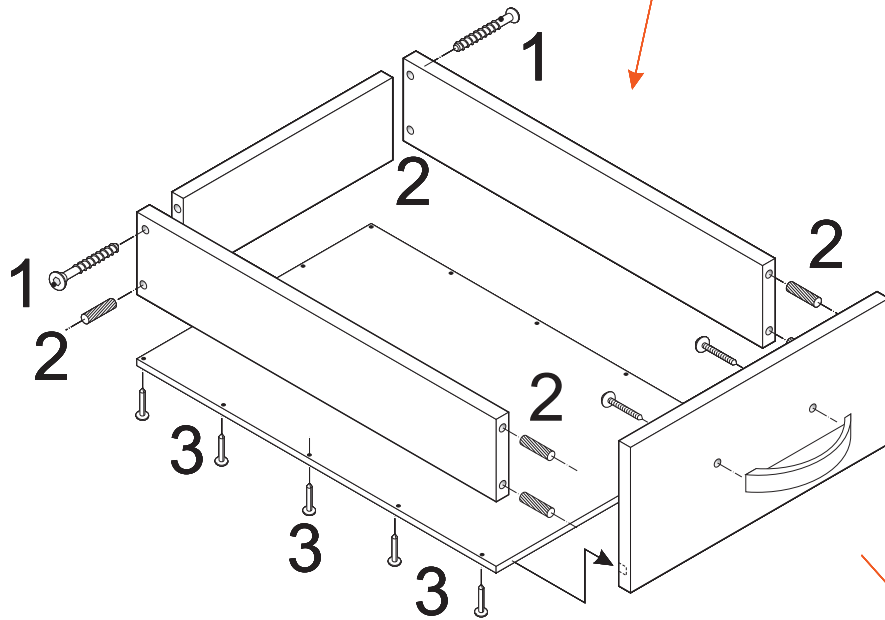
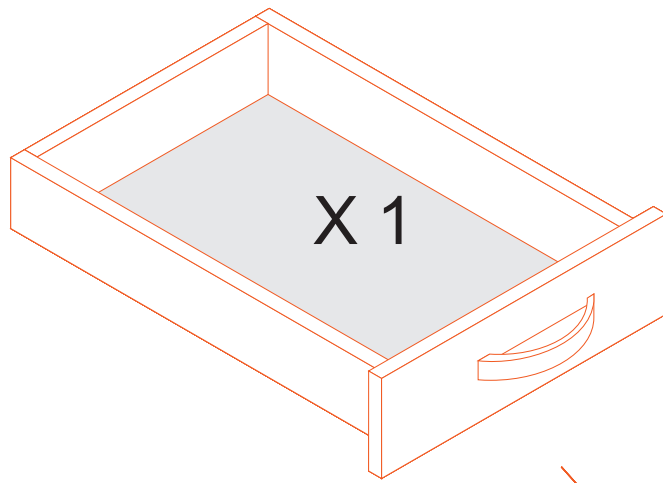
DZ-80 ATR



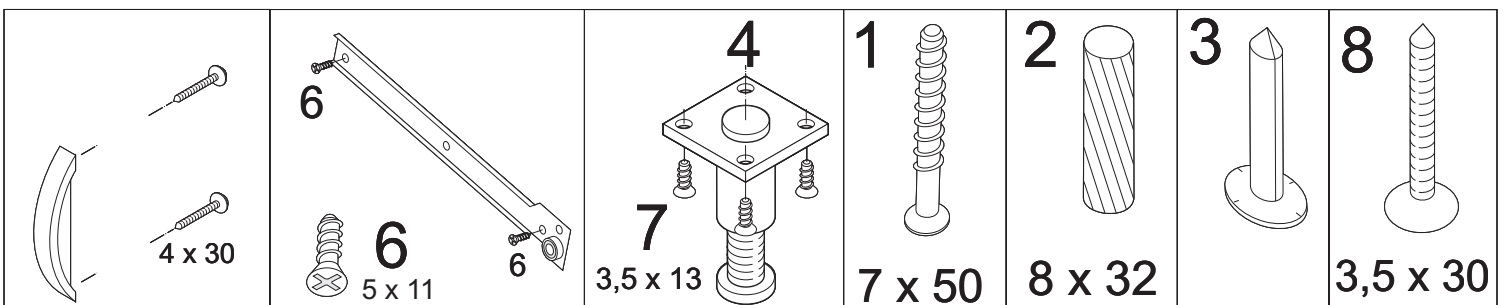
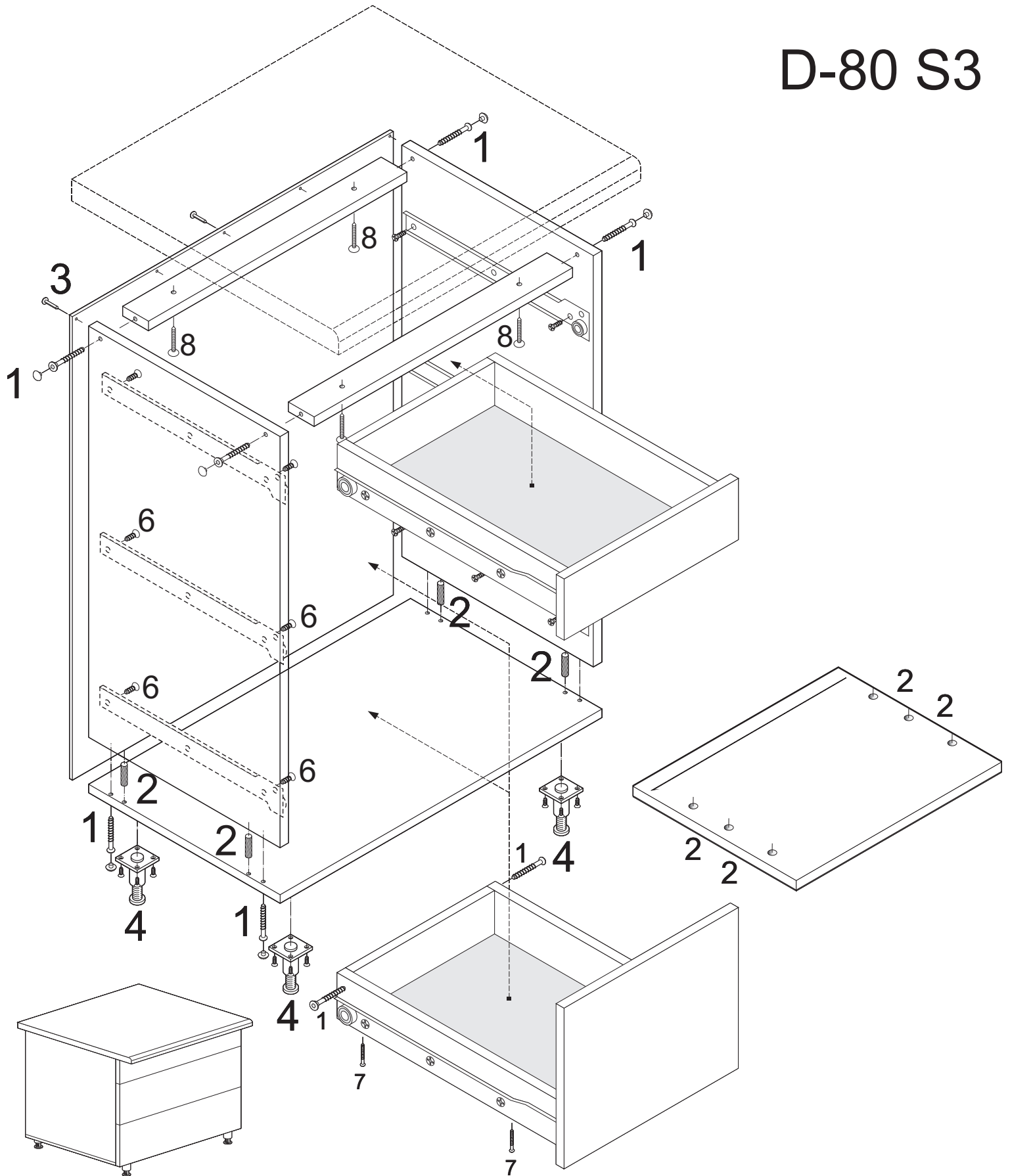


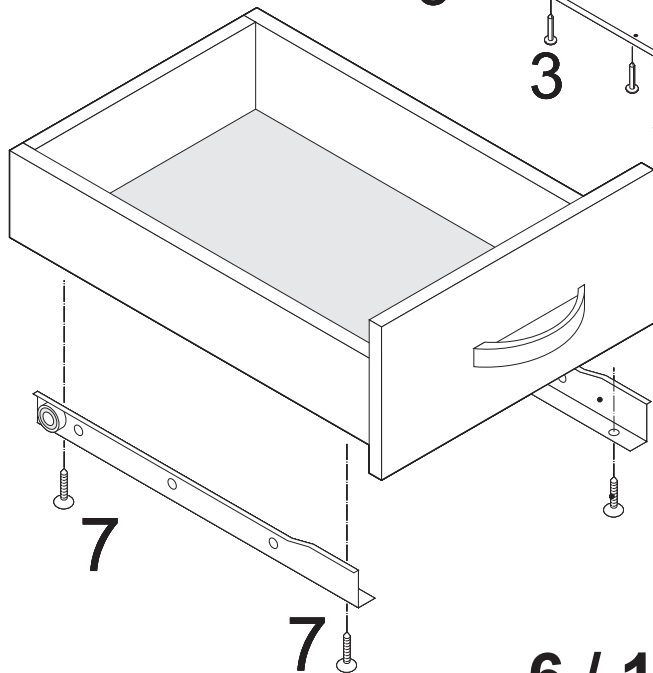
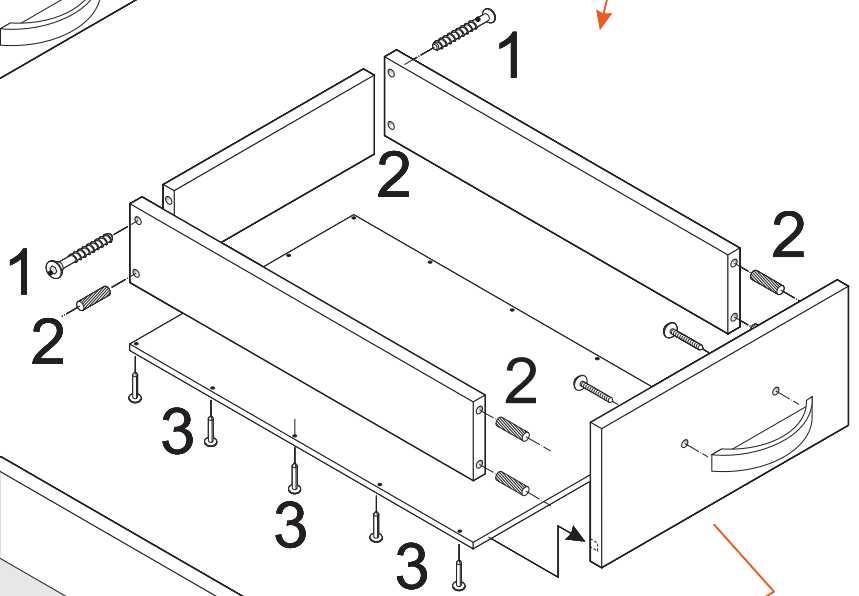
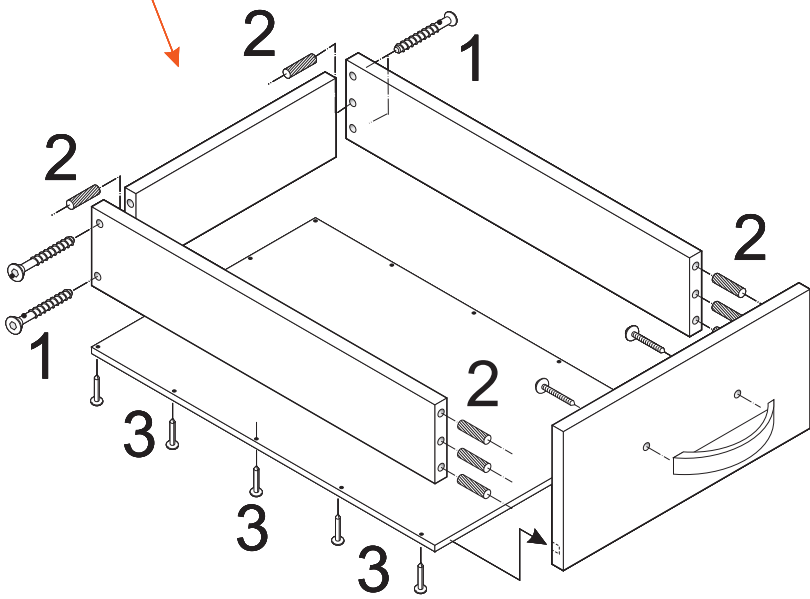
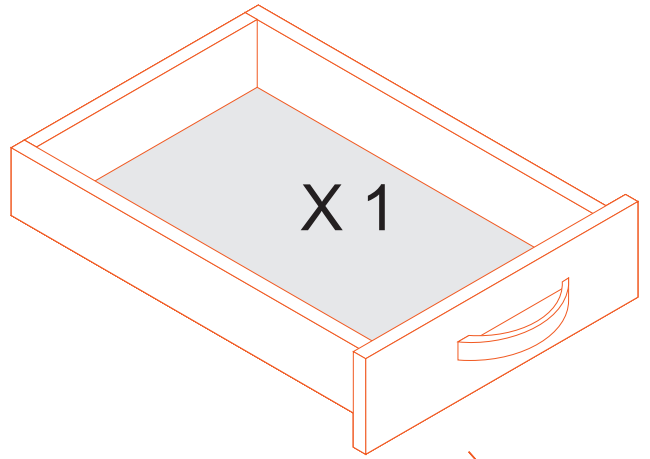
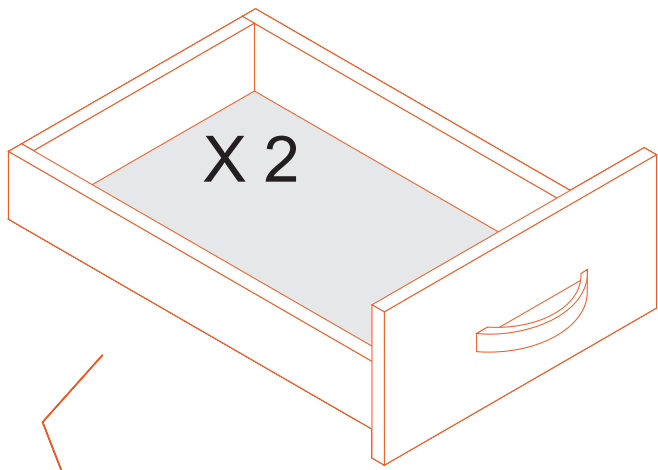
D-40 S1

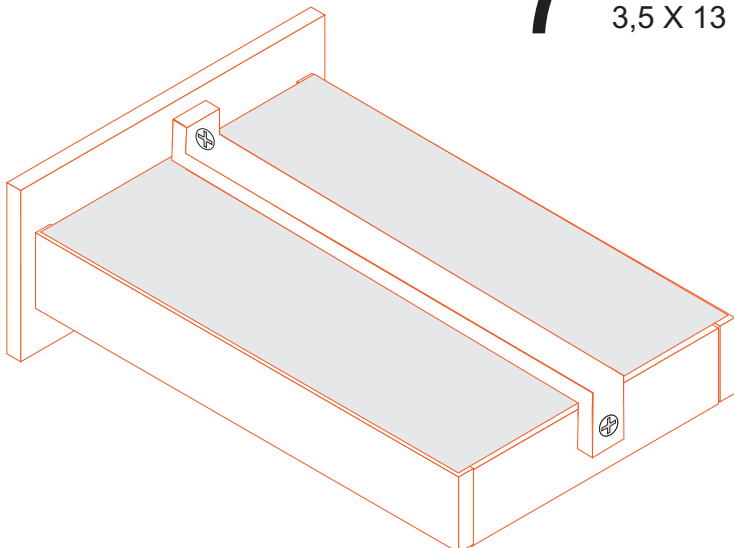
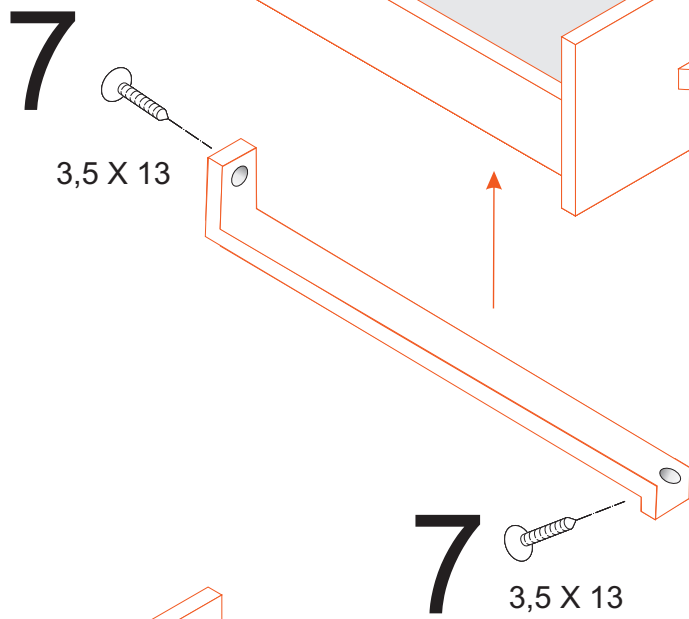
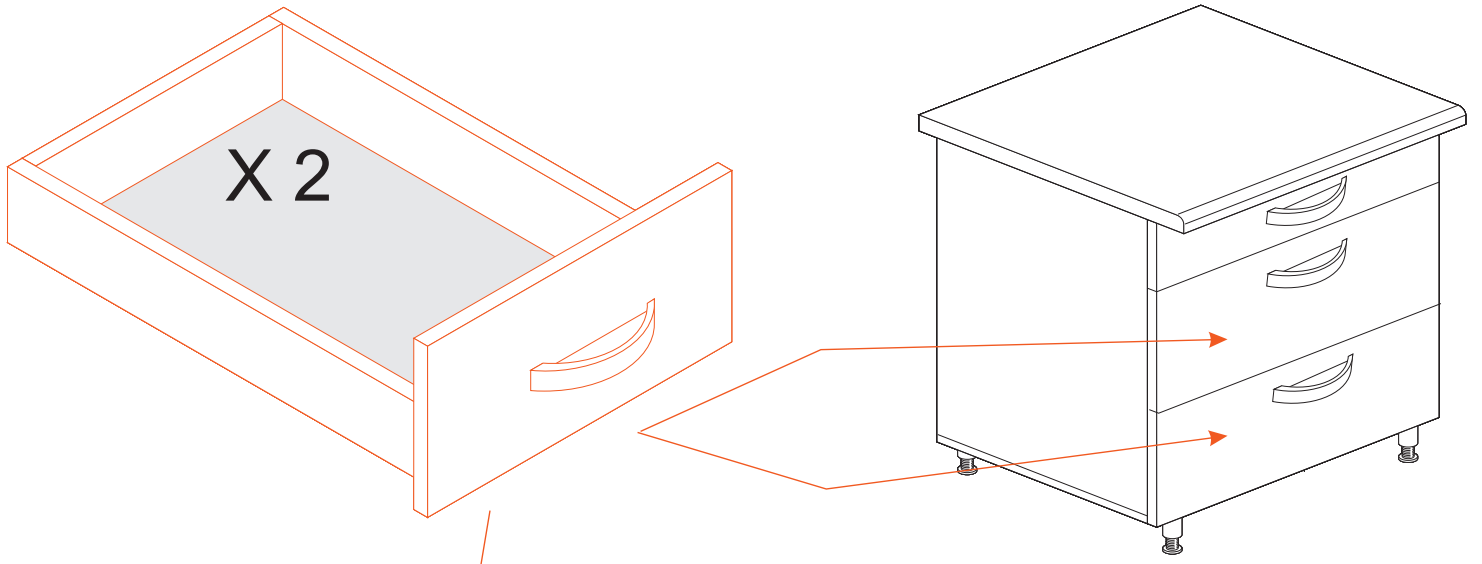
 <p>4 x 30</p>	 <p>6 5 x 13</p>	 <p>4 7 3,5 x 13</p>	 <p>1 7 x 50</p>	 <p>2 8 x 32</p>	 <p>3</p>	 <p>8 3,5 x 30</p>
--	---	---	--	---	--	---

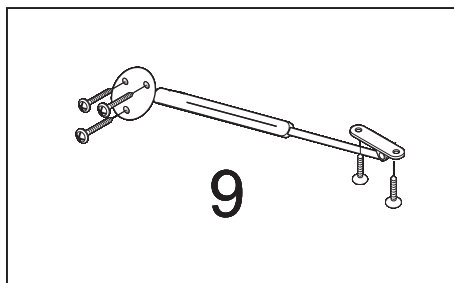
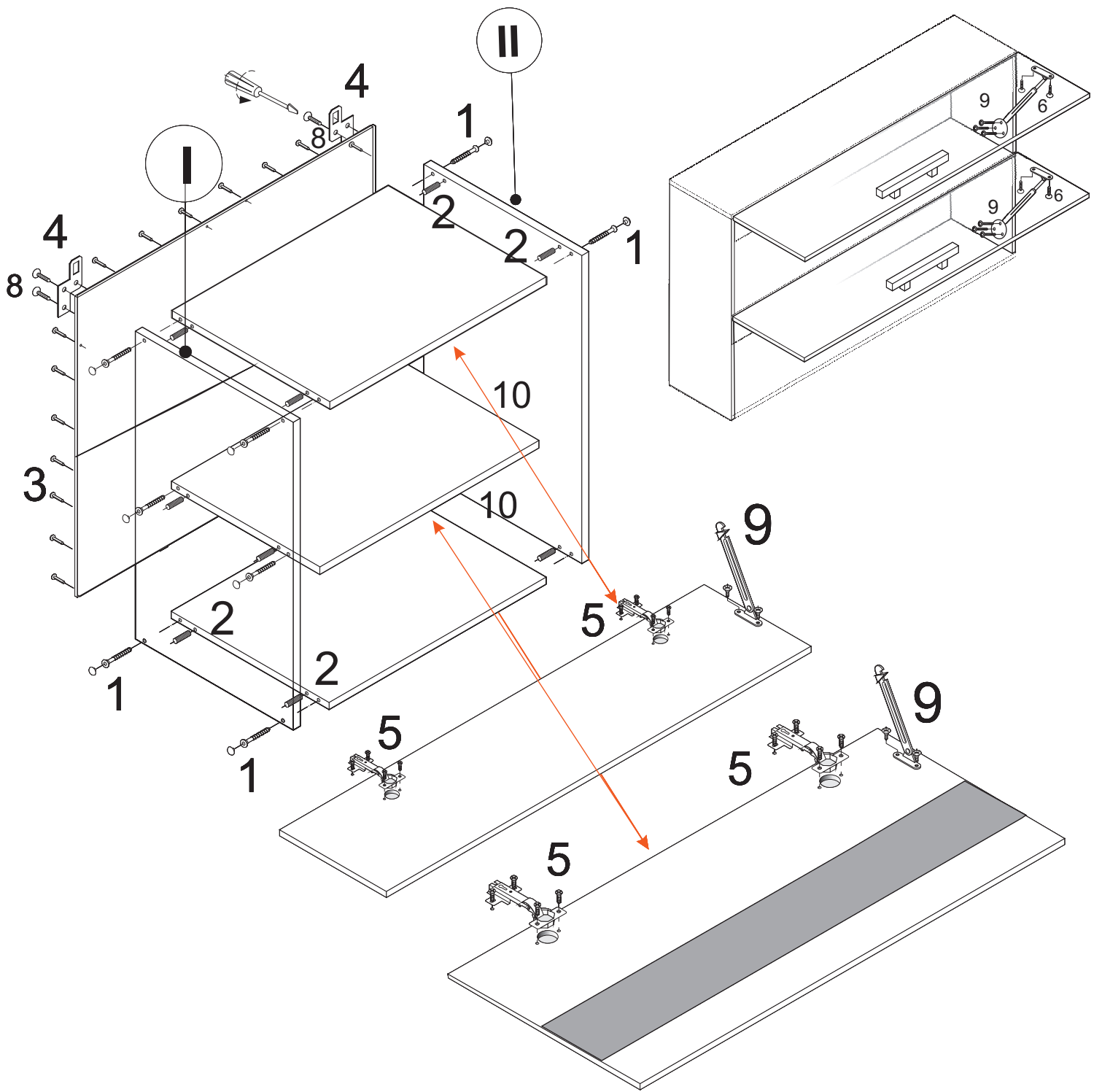


D-80 S3

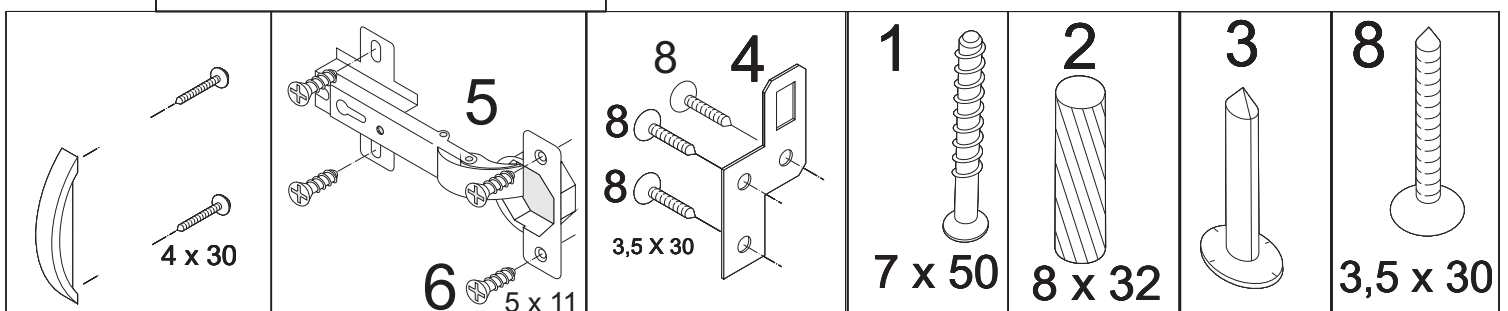


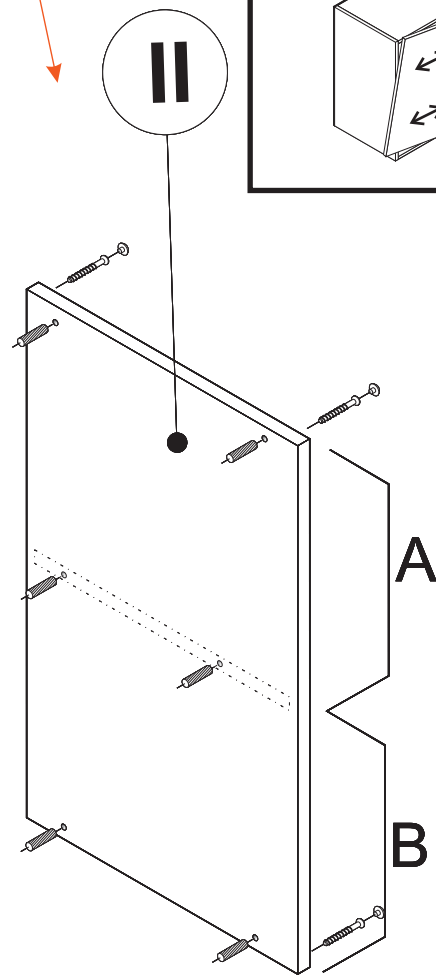
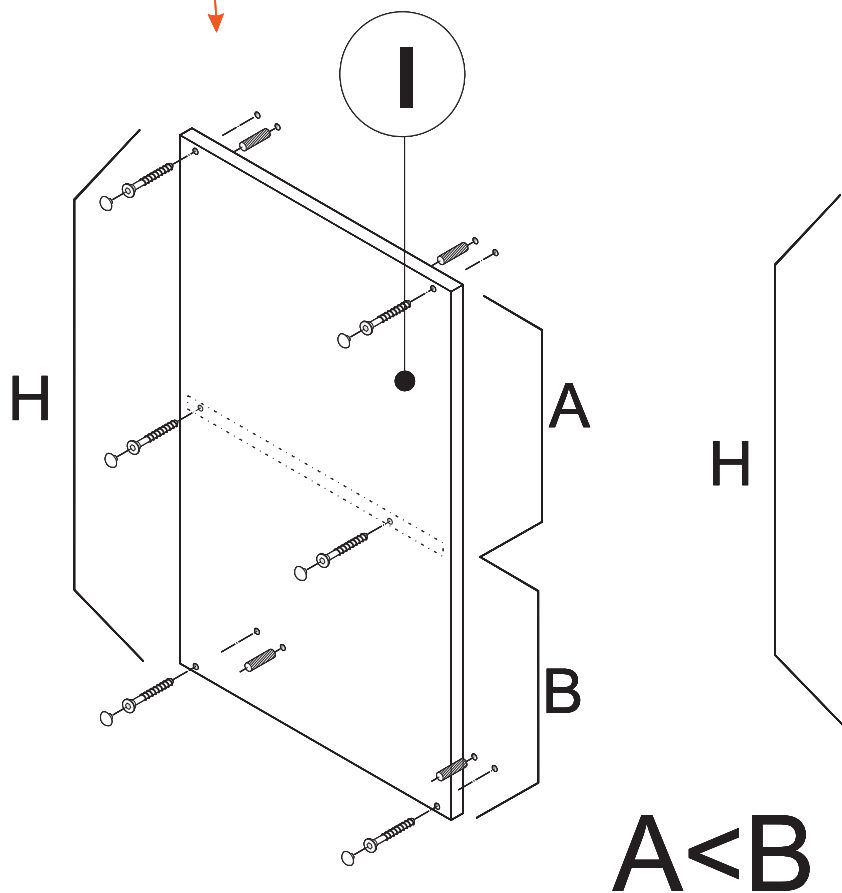
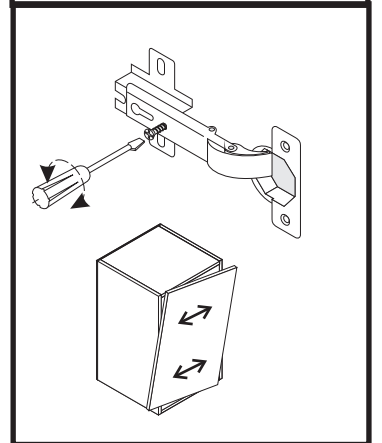
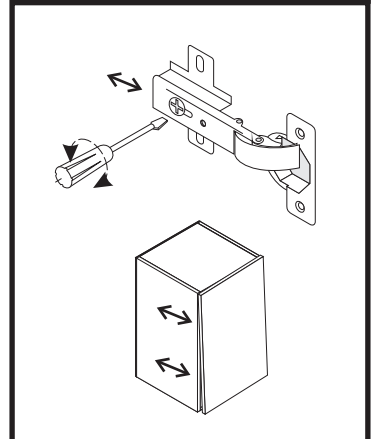
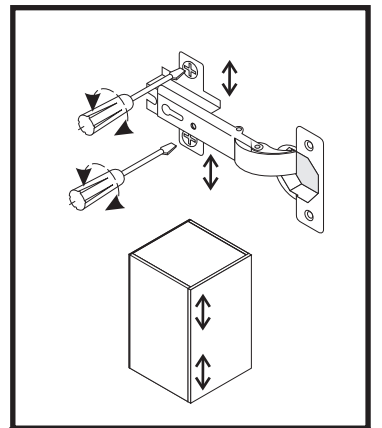
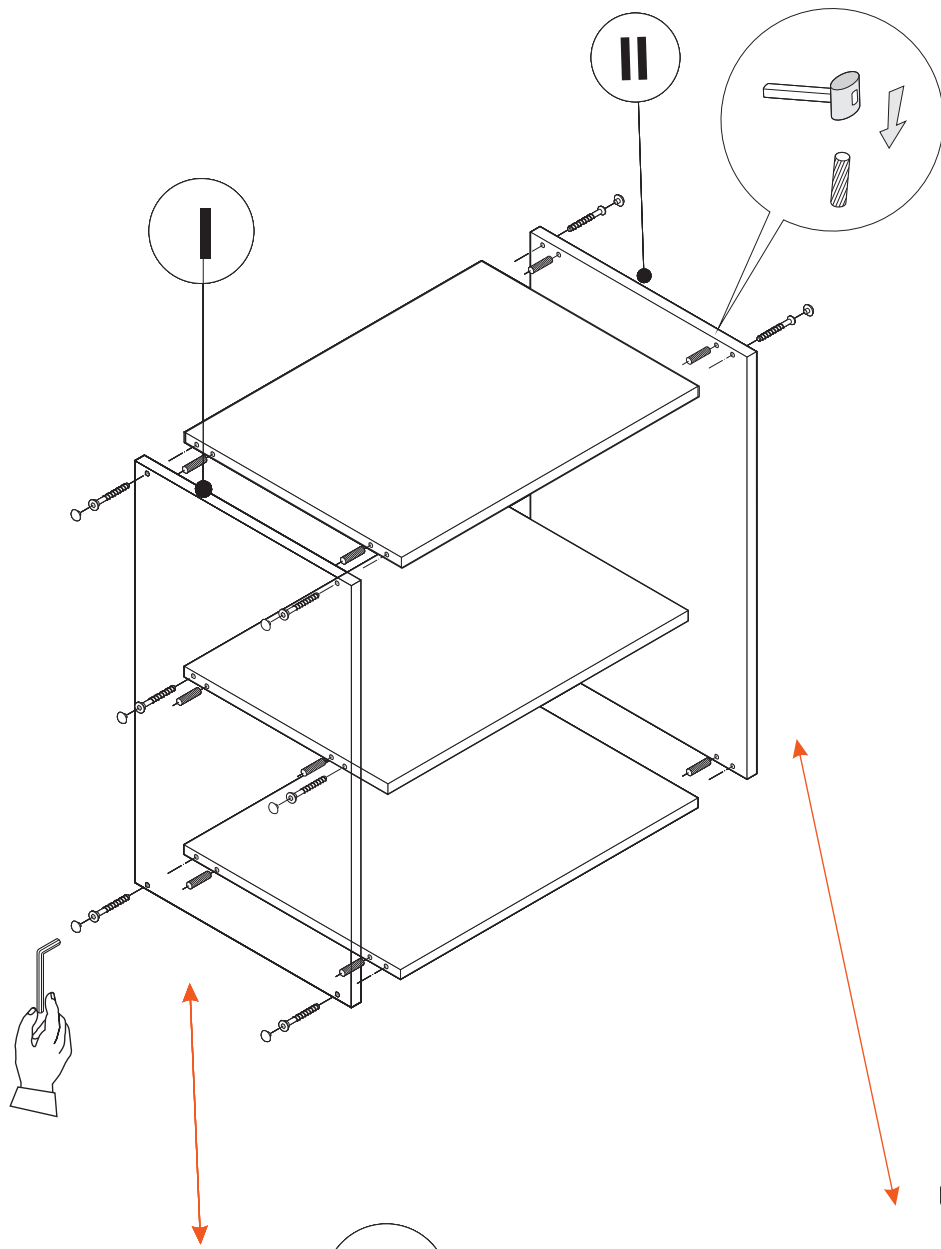


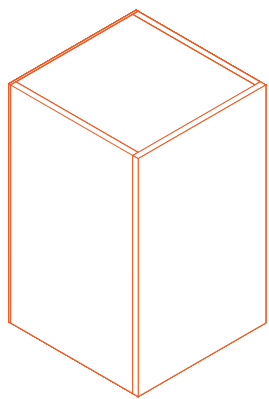
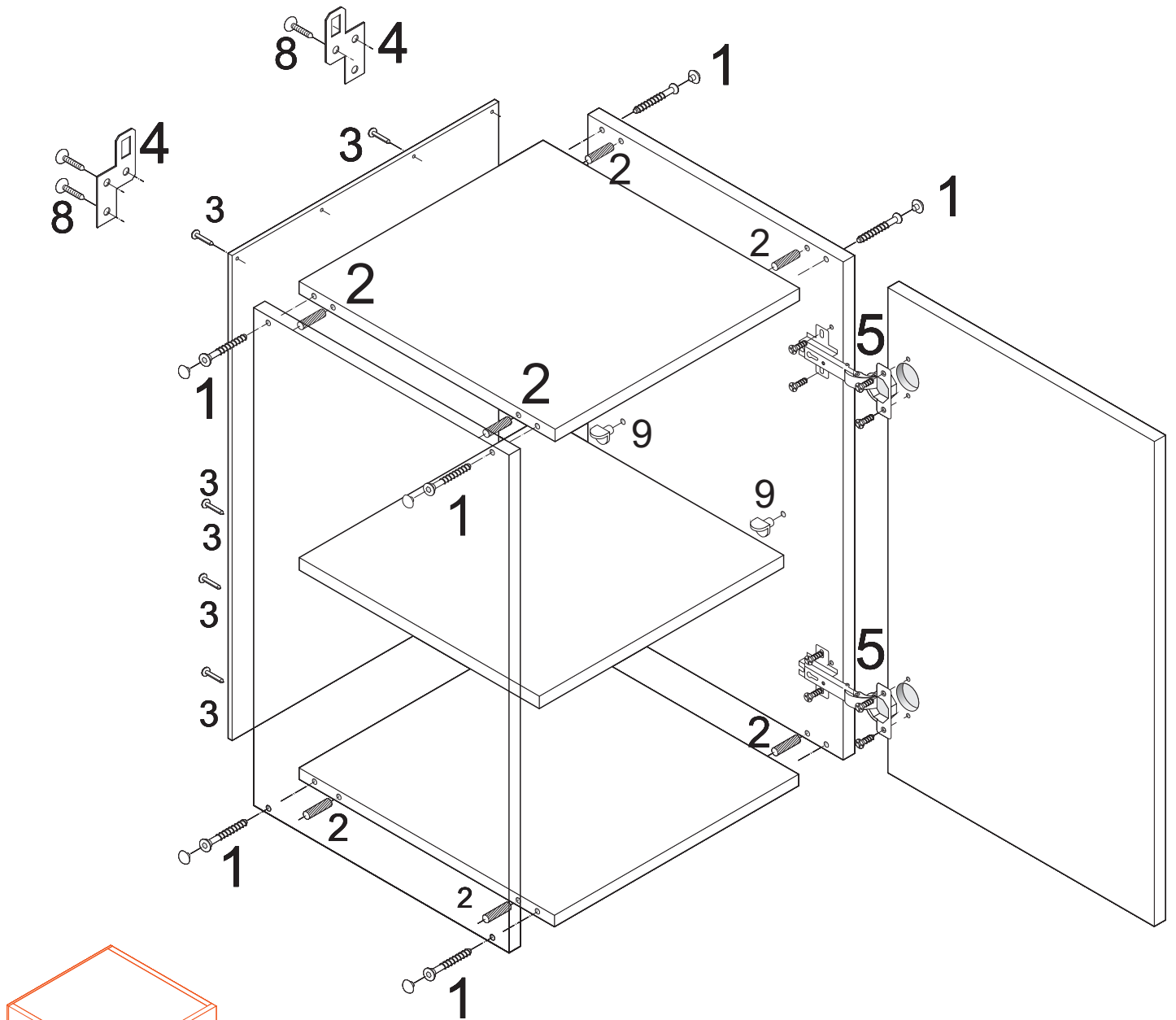




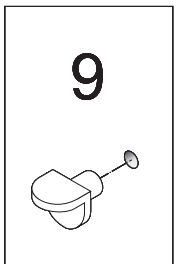
OGW1-80 P..



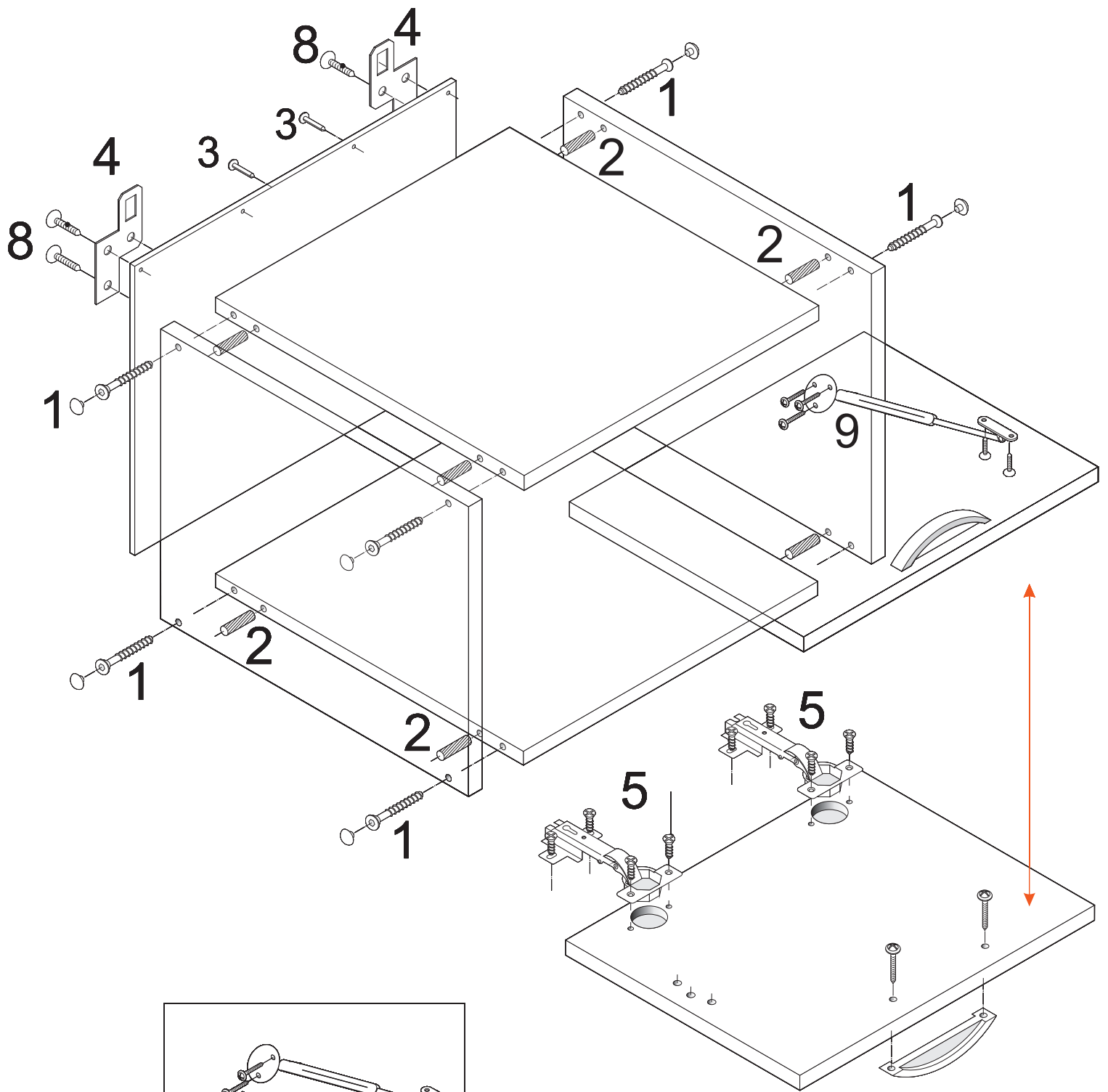




G-40 / 648



			7 x 50	8 x 32		3,5 x 30



OG-60

<p>4 x 30</p>	<p>5 x 13 6</p>	<p>3,5 X 30 4</p>	<p>7 x 50 1</p>	<p>8 x 32 2</p>	<p>3 3</p>	<p>3,5 x 30 8</p>
---------------	-----------------	-------------------	-----------------	-----------------	------------	-------------------