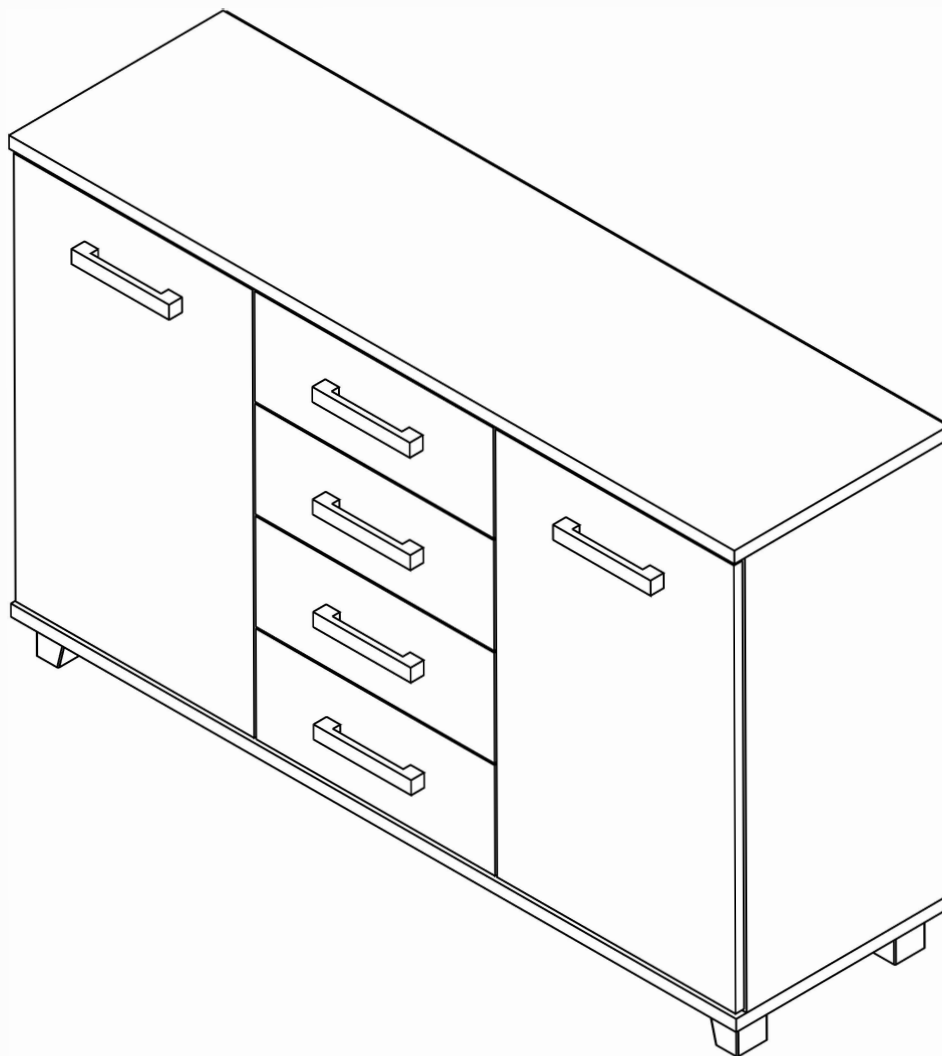




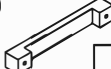


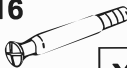









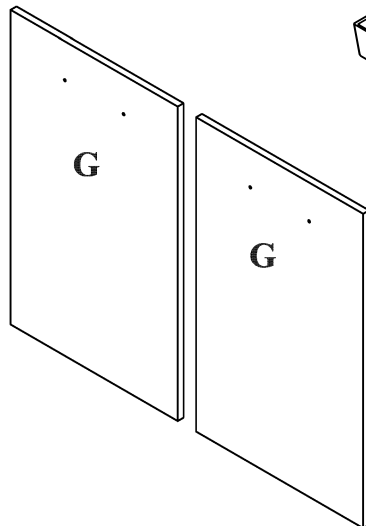
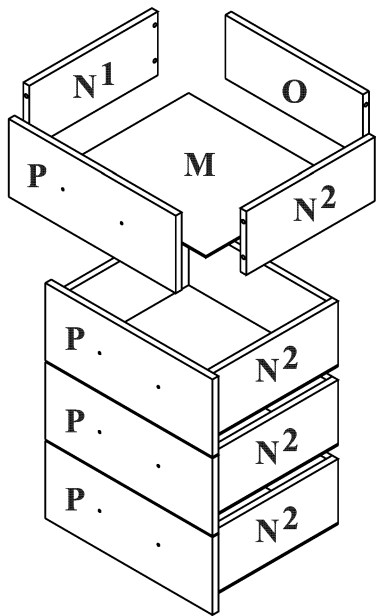
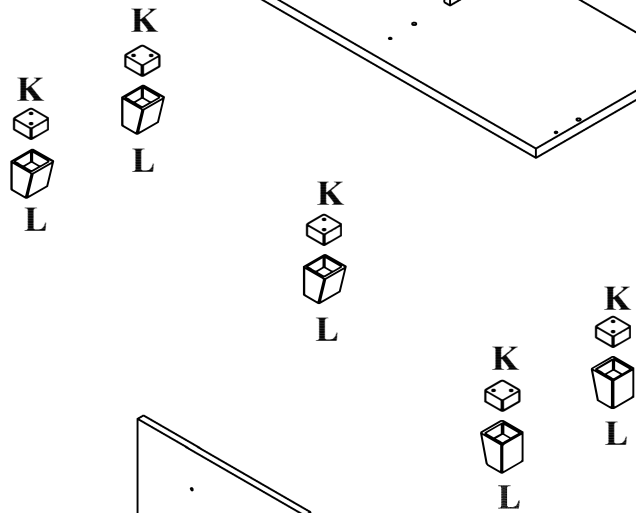
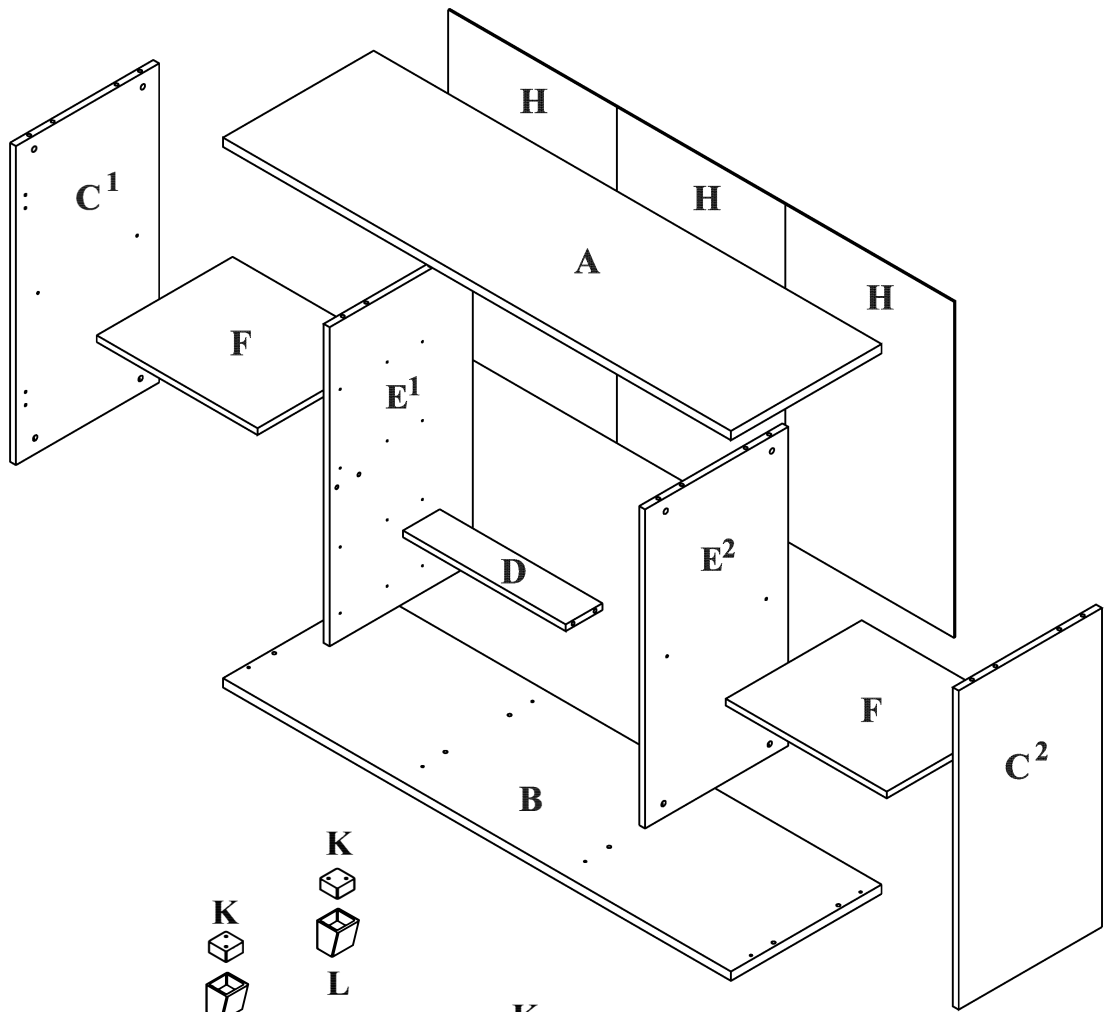
# M36

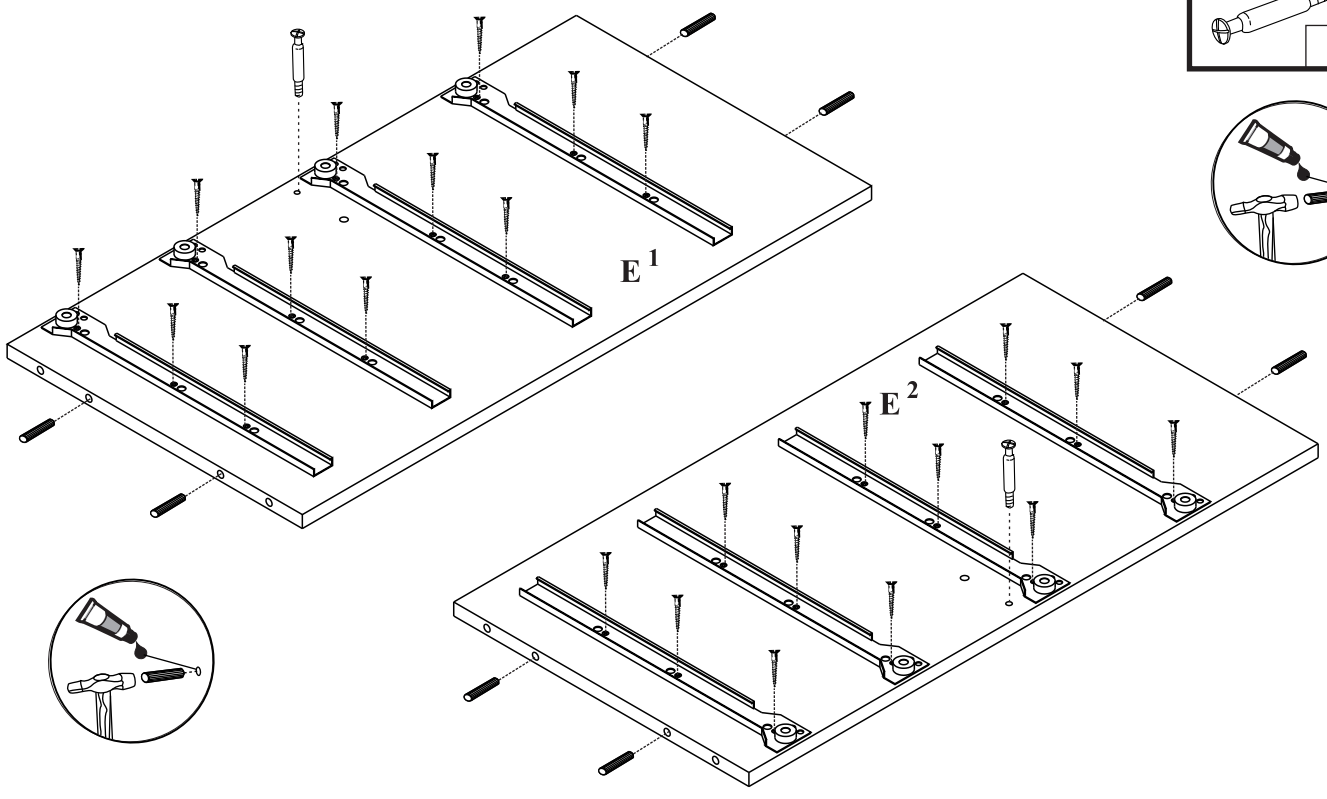
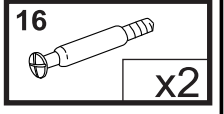
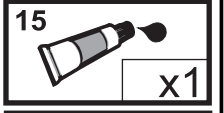
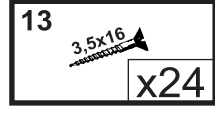
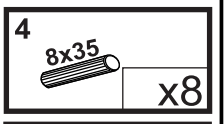
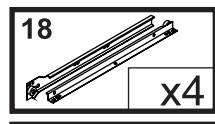
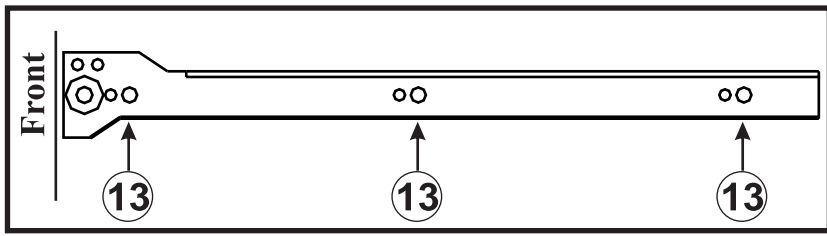


3  x18	4 8x35  x50	6 3.5x30  x12	8  x120	9  x6
1 3 3.5x16  x66	15  x1	16  x18	17  x18	18  x4
5  x1	7  x8	10  x4	11  x4	12  x8

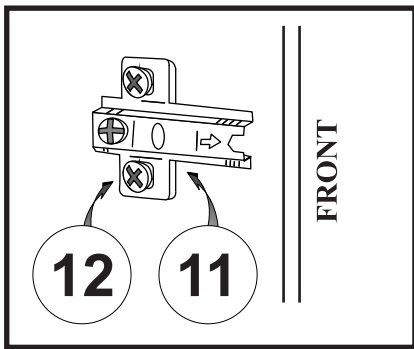
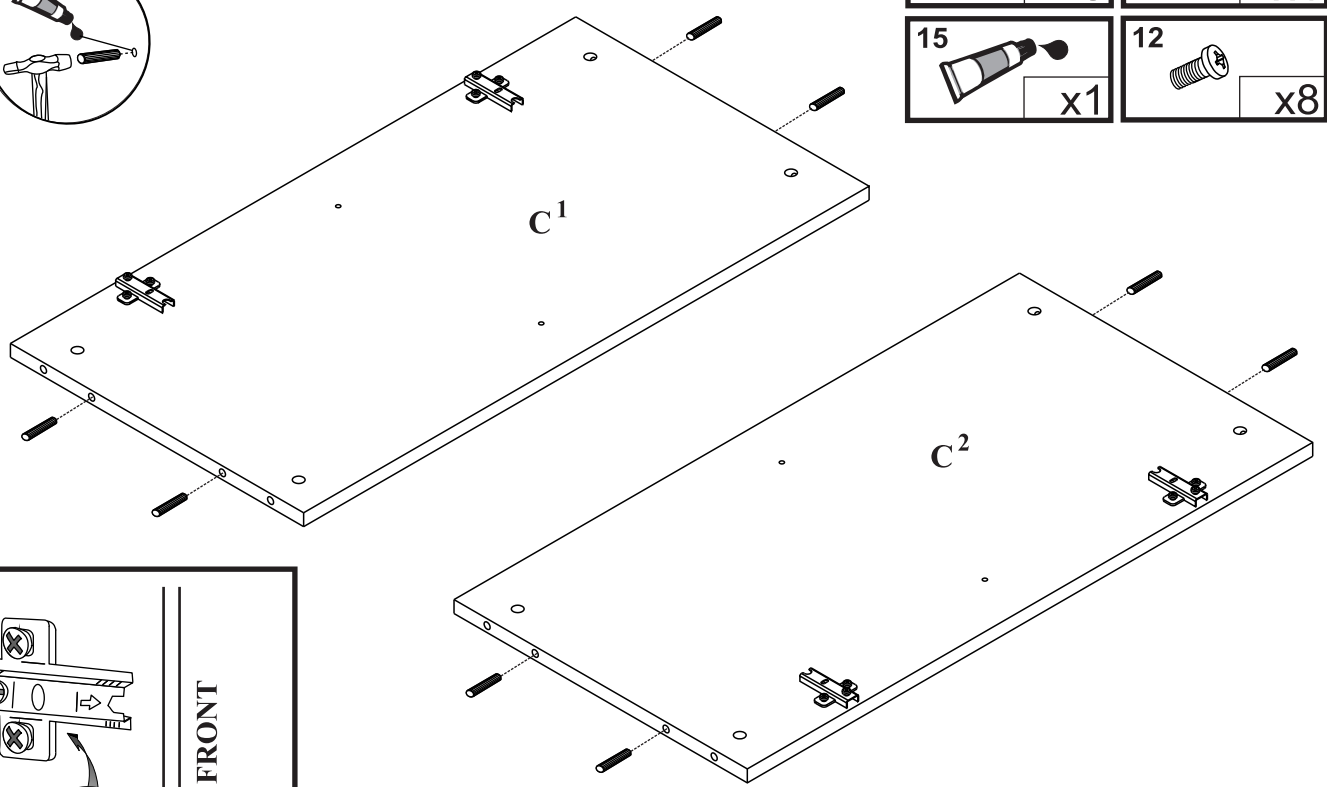
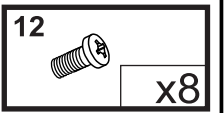
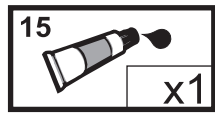
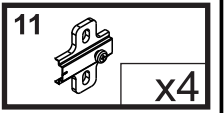
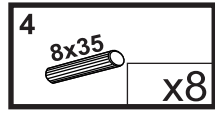
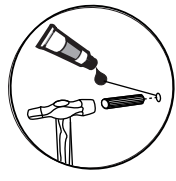
80 min.



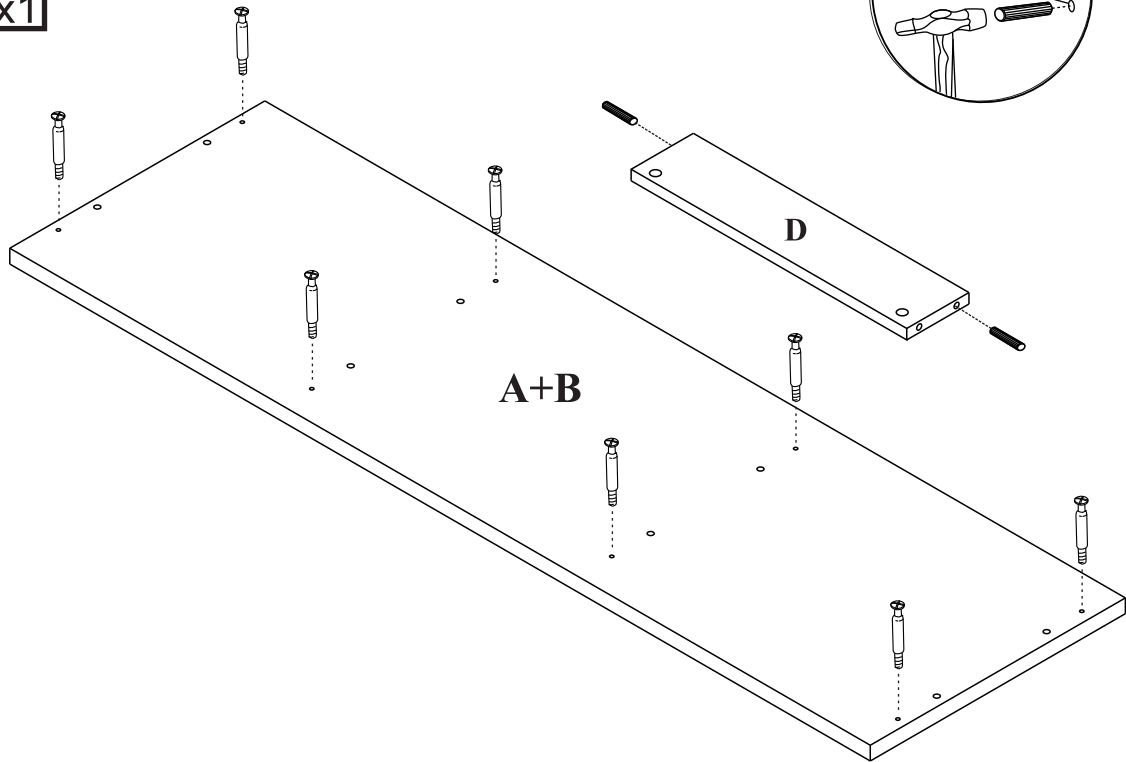
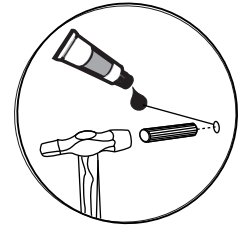
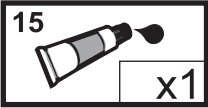
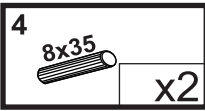
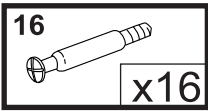




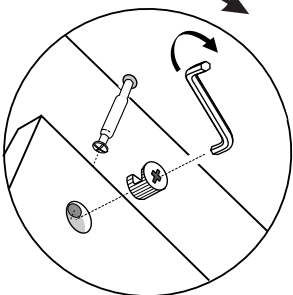
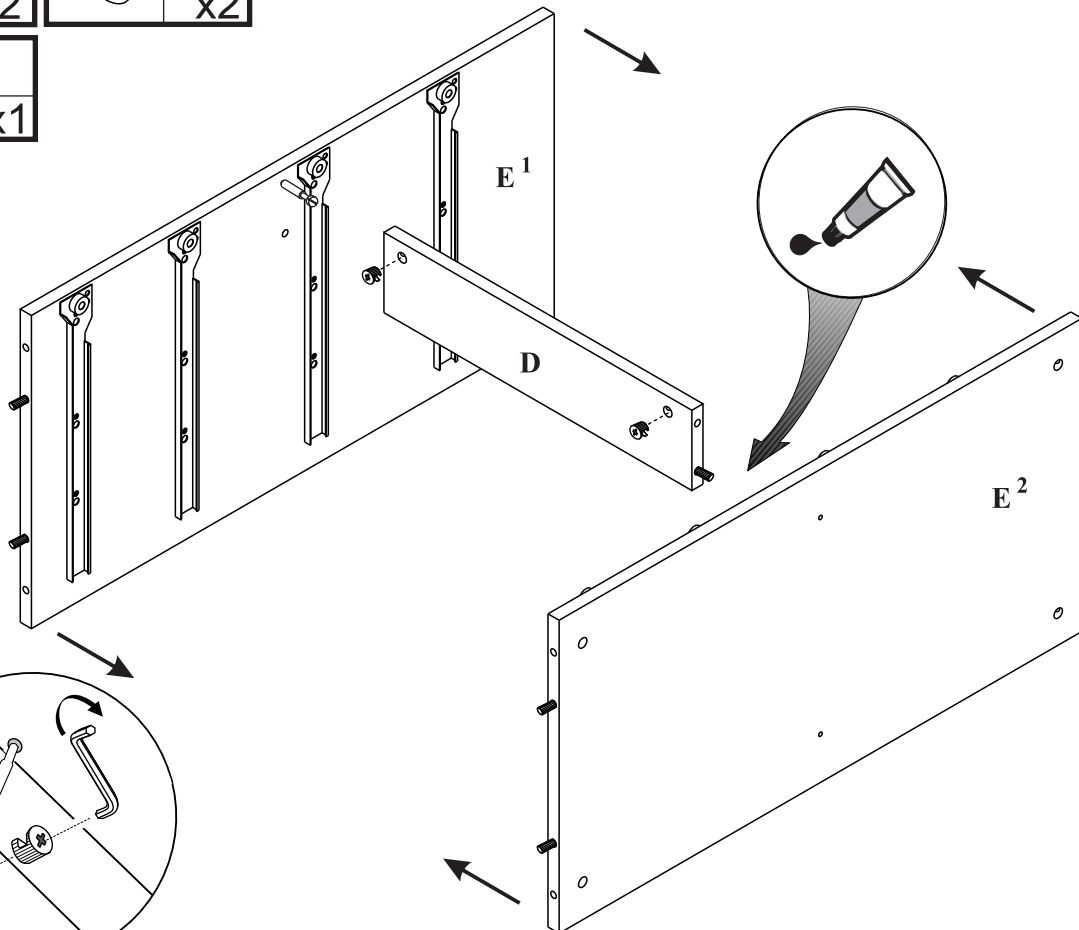
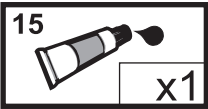
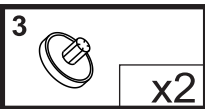
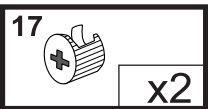
1



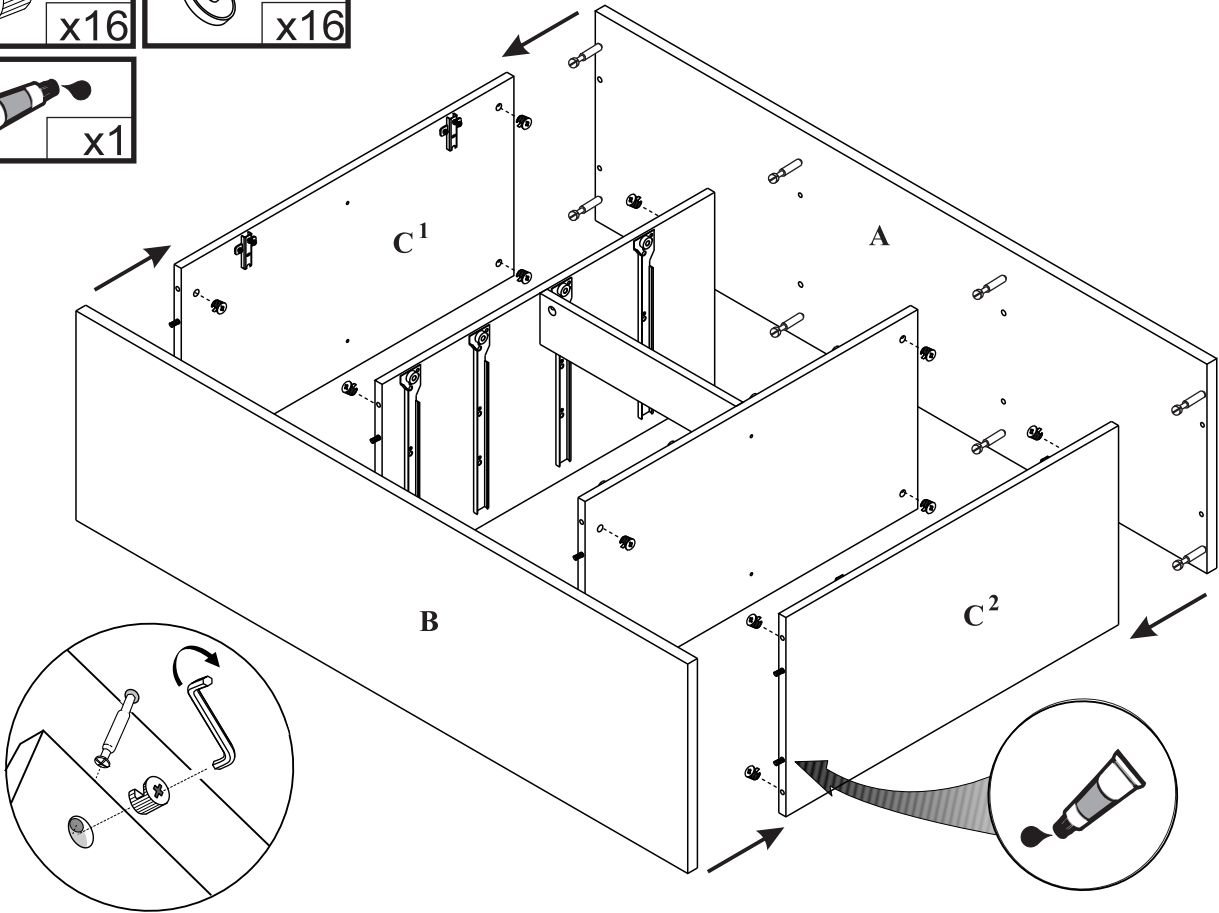
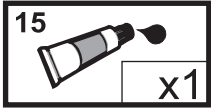
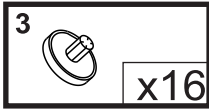
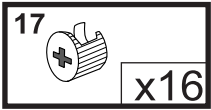
2



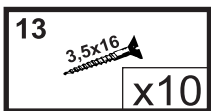
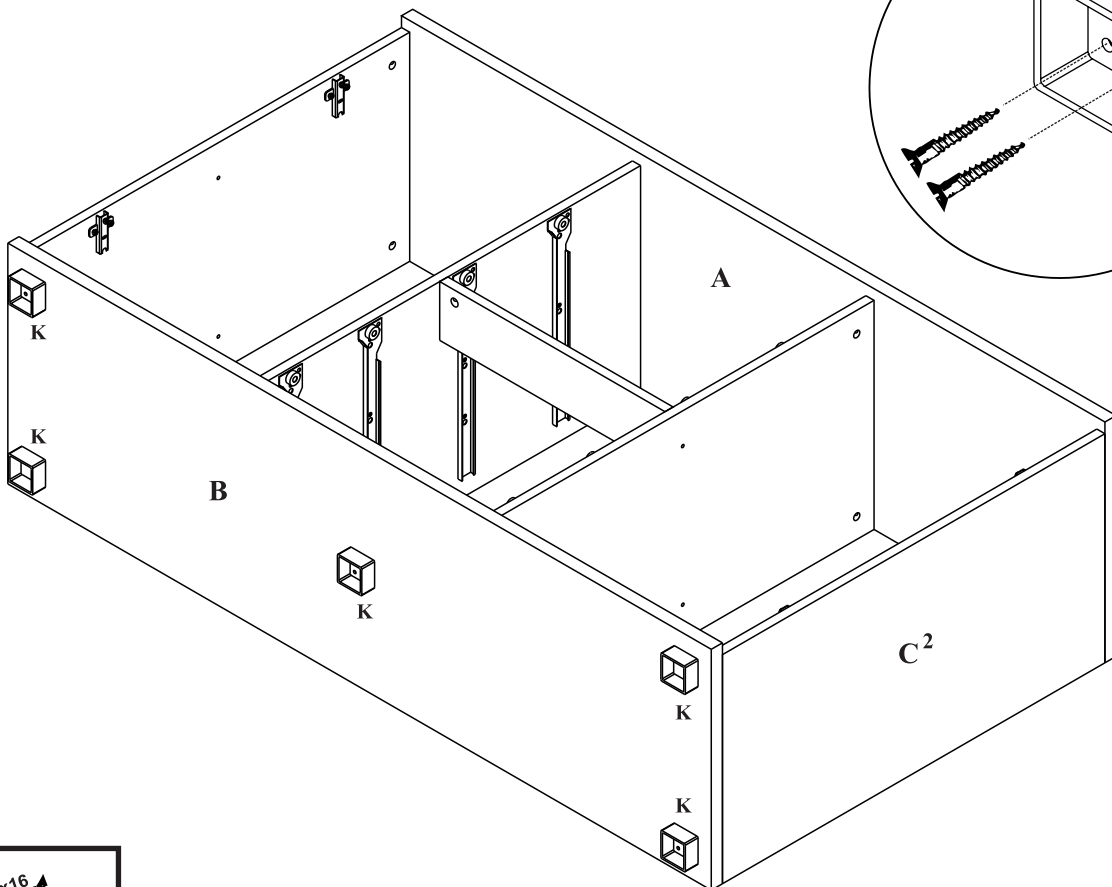
3



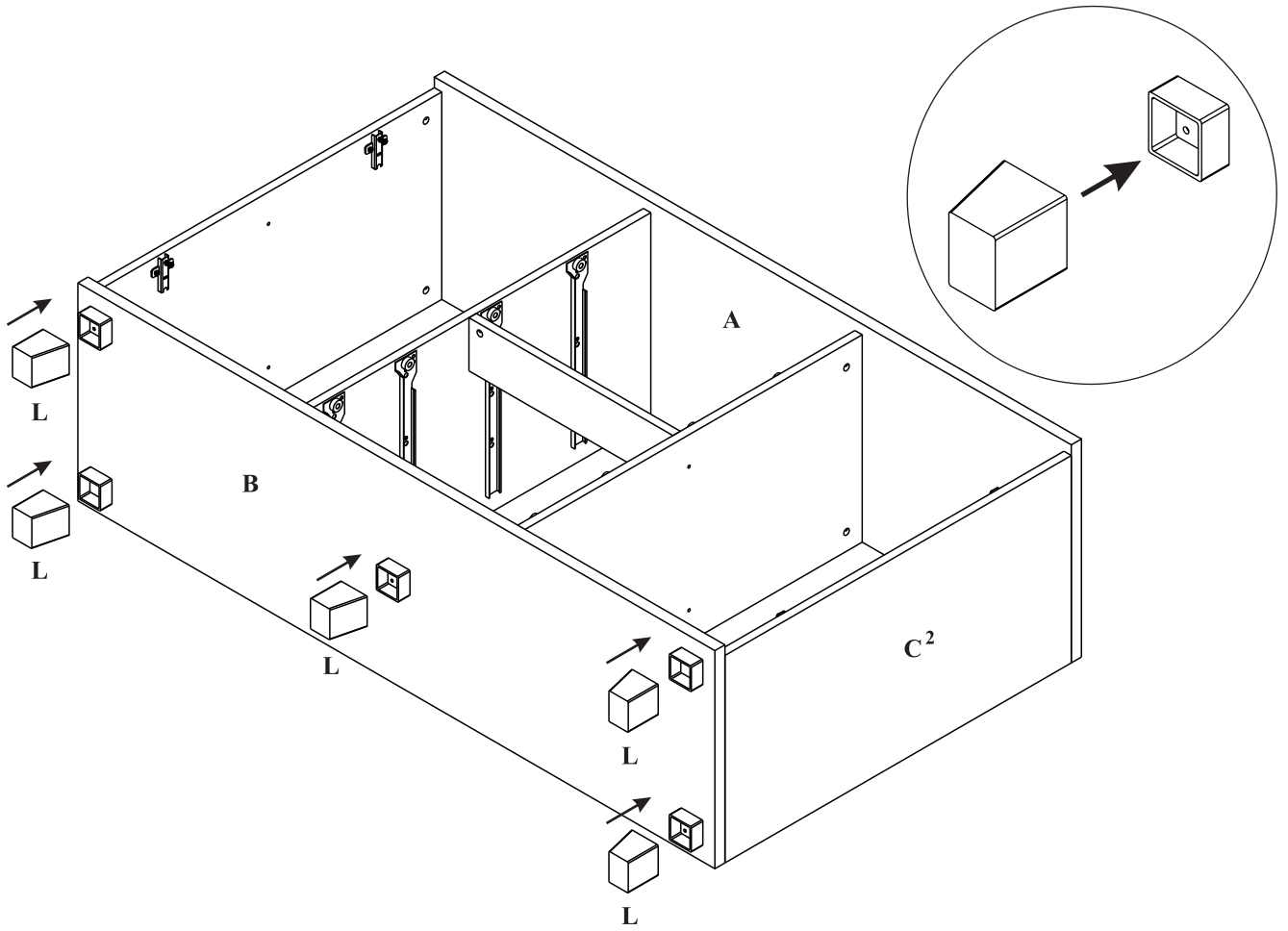
4



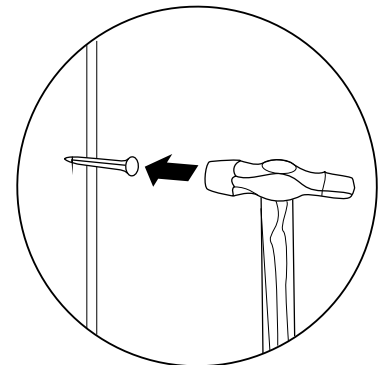
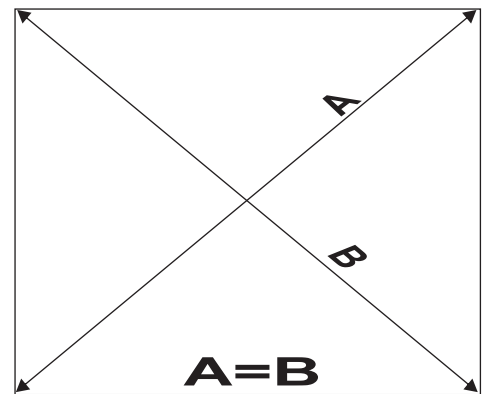
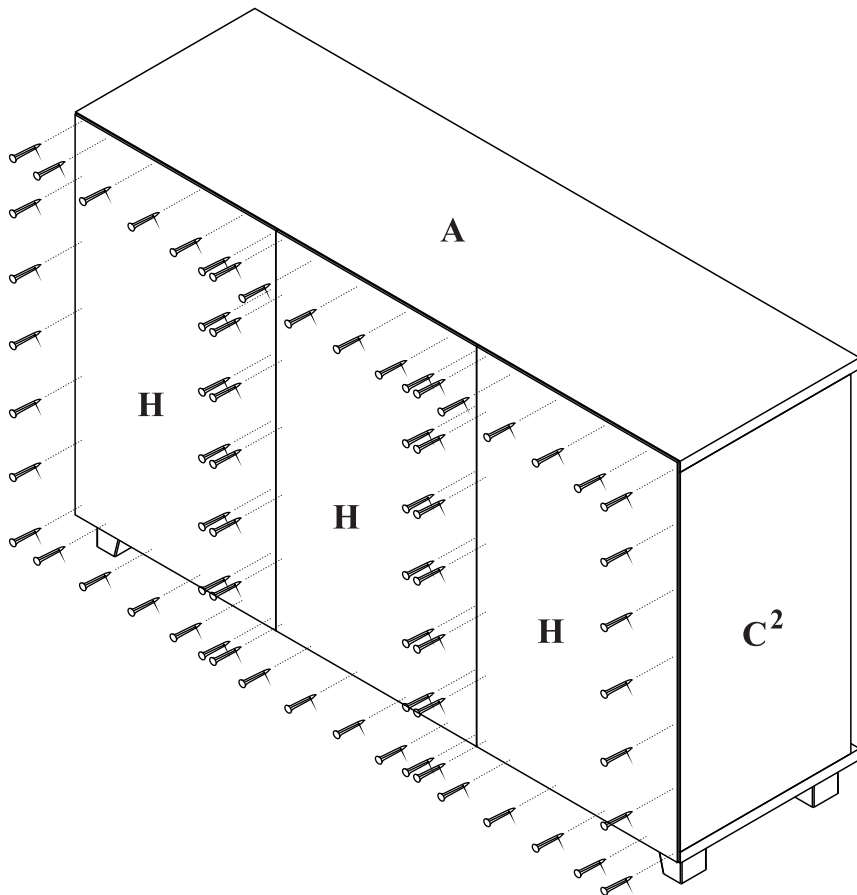
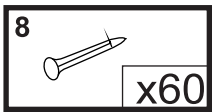
5



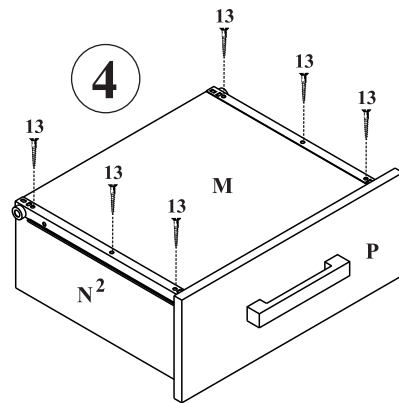
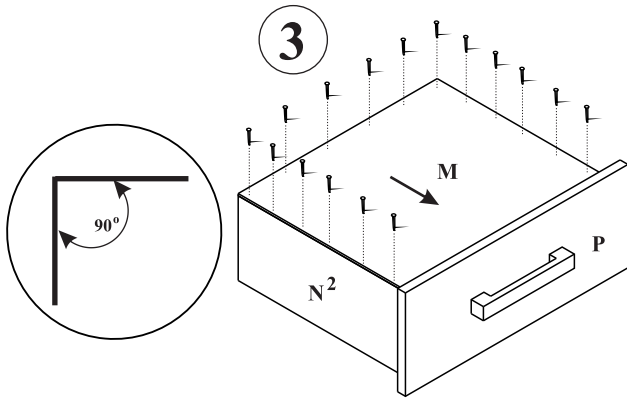
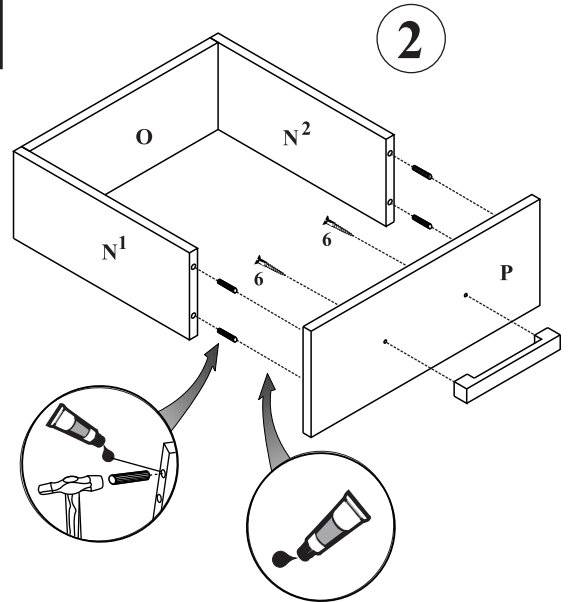
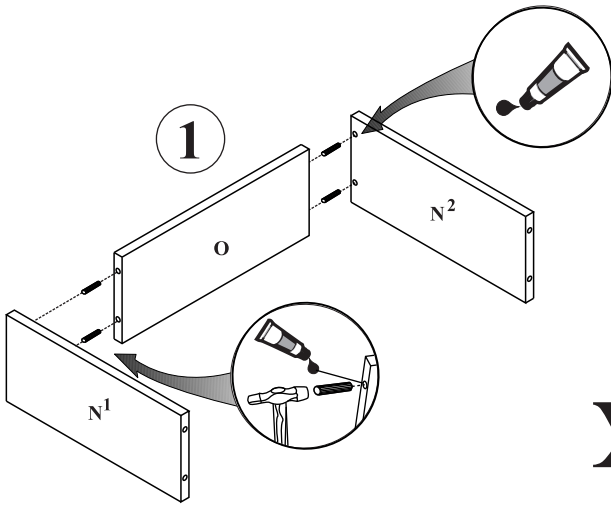
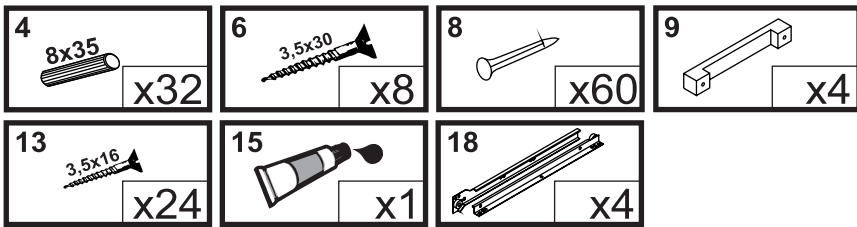
6



7

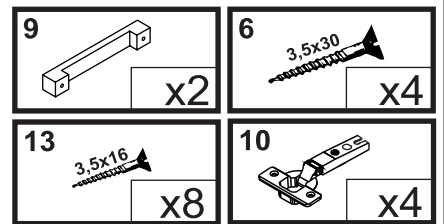
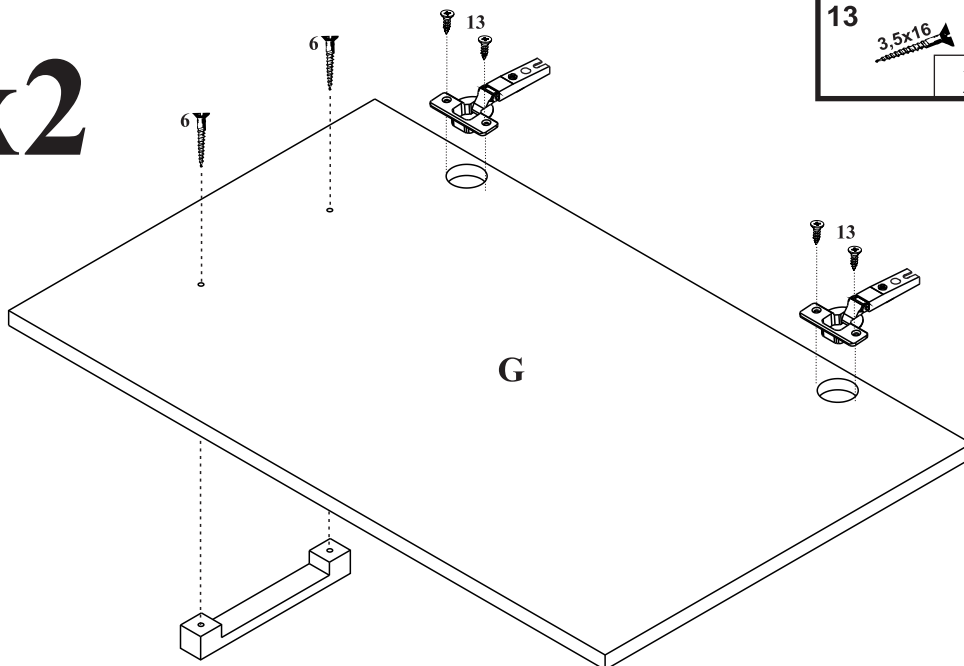


8



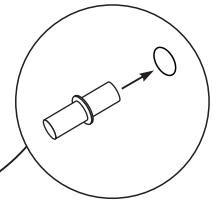
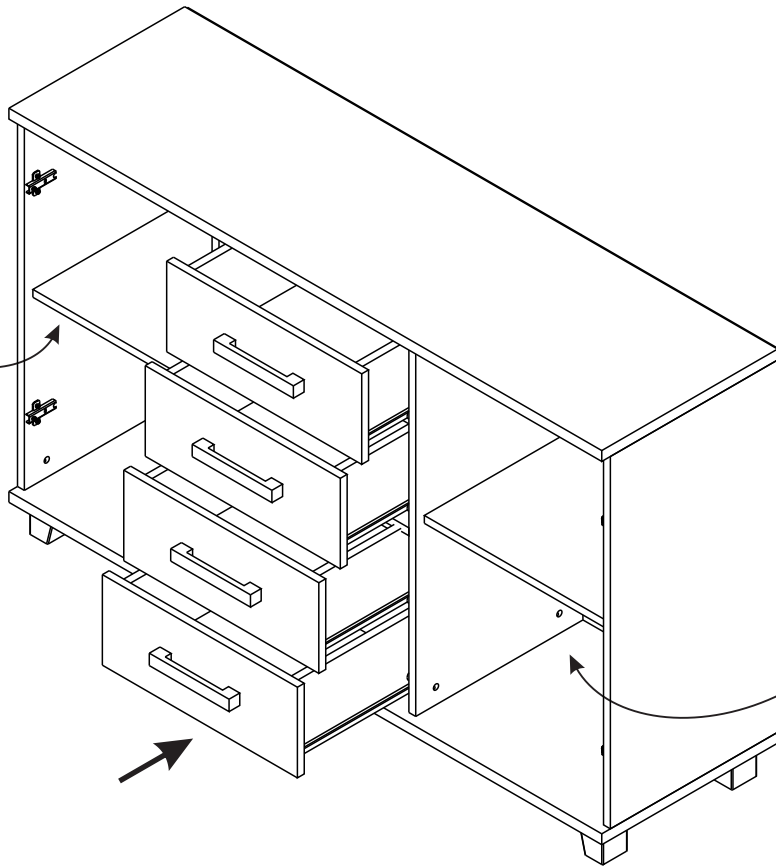
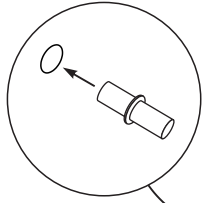
**9**

**x2**

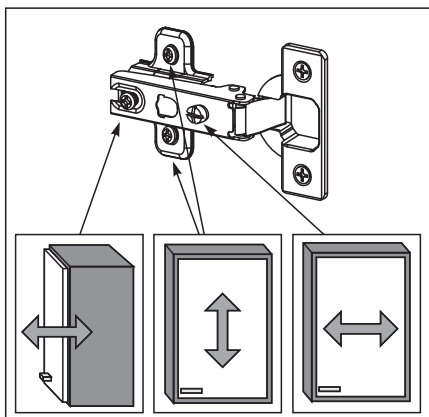
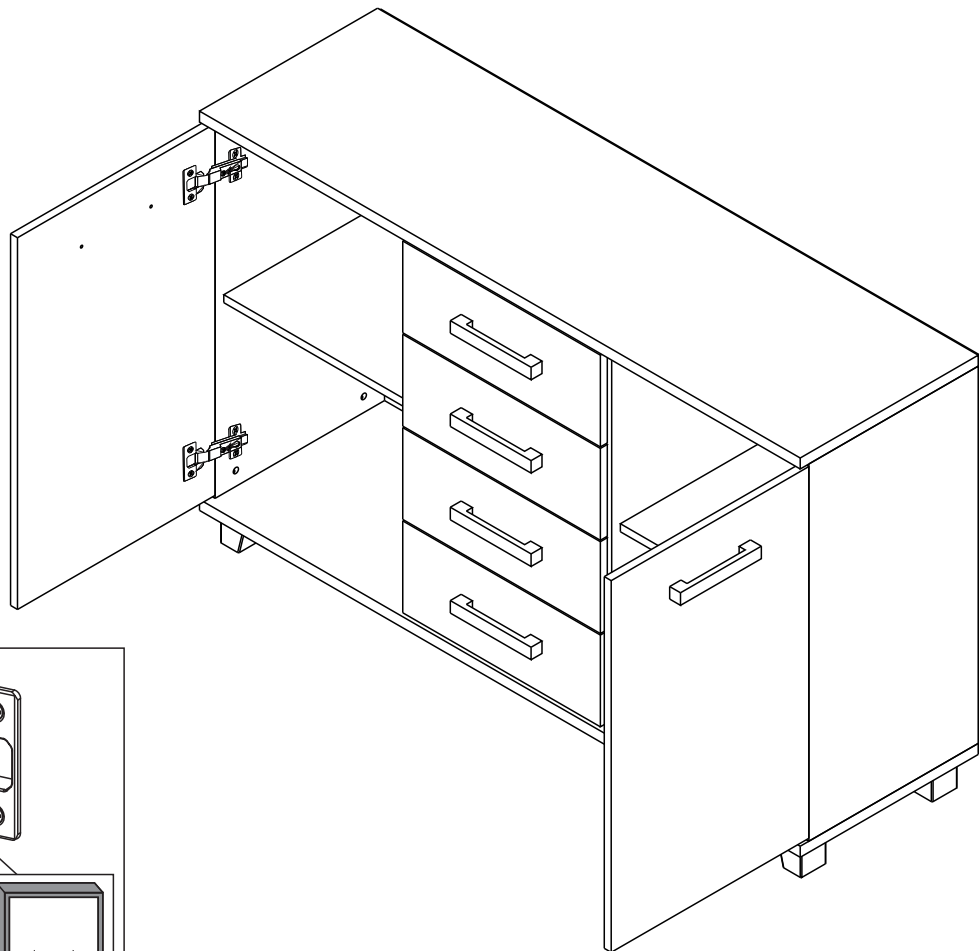


**10**

7 x8



11



12