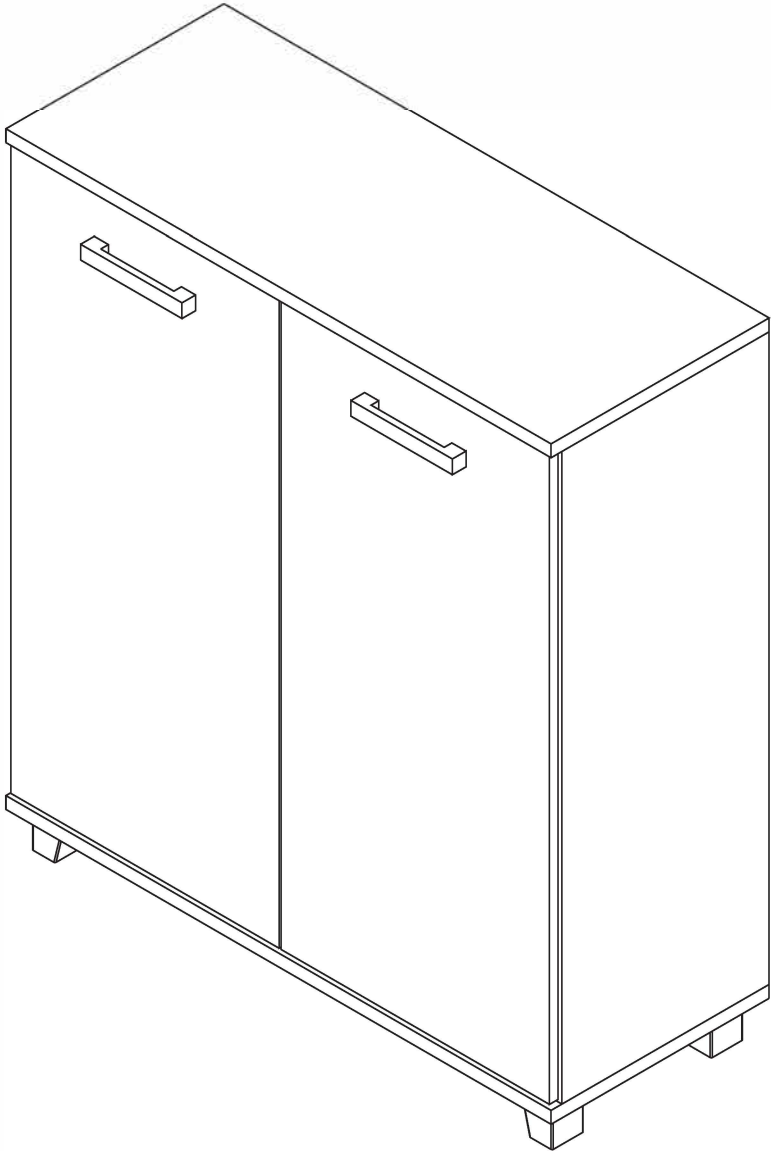





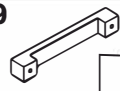
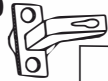






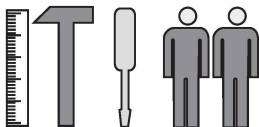


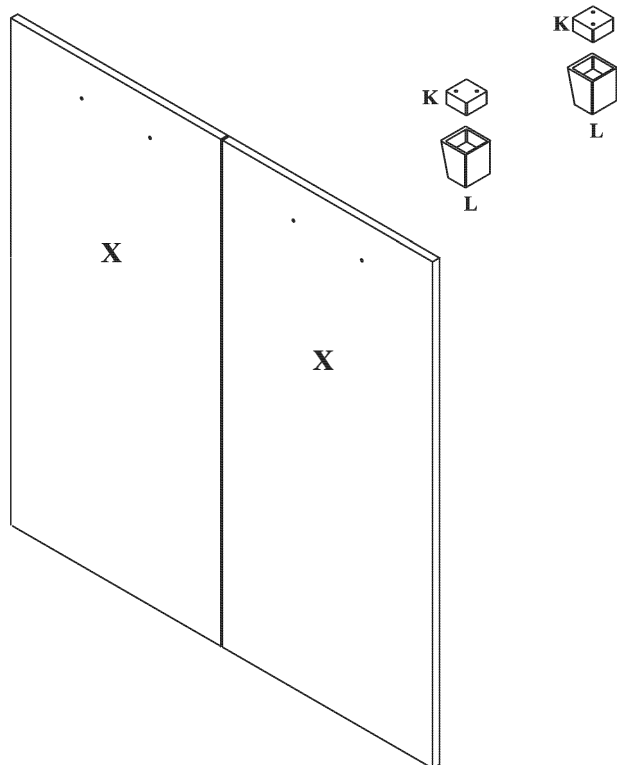
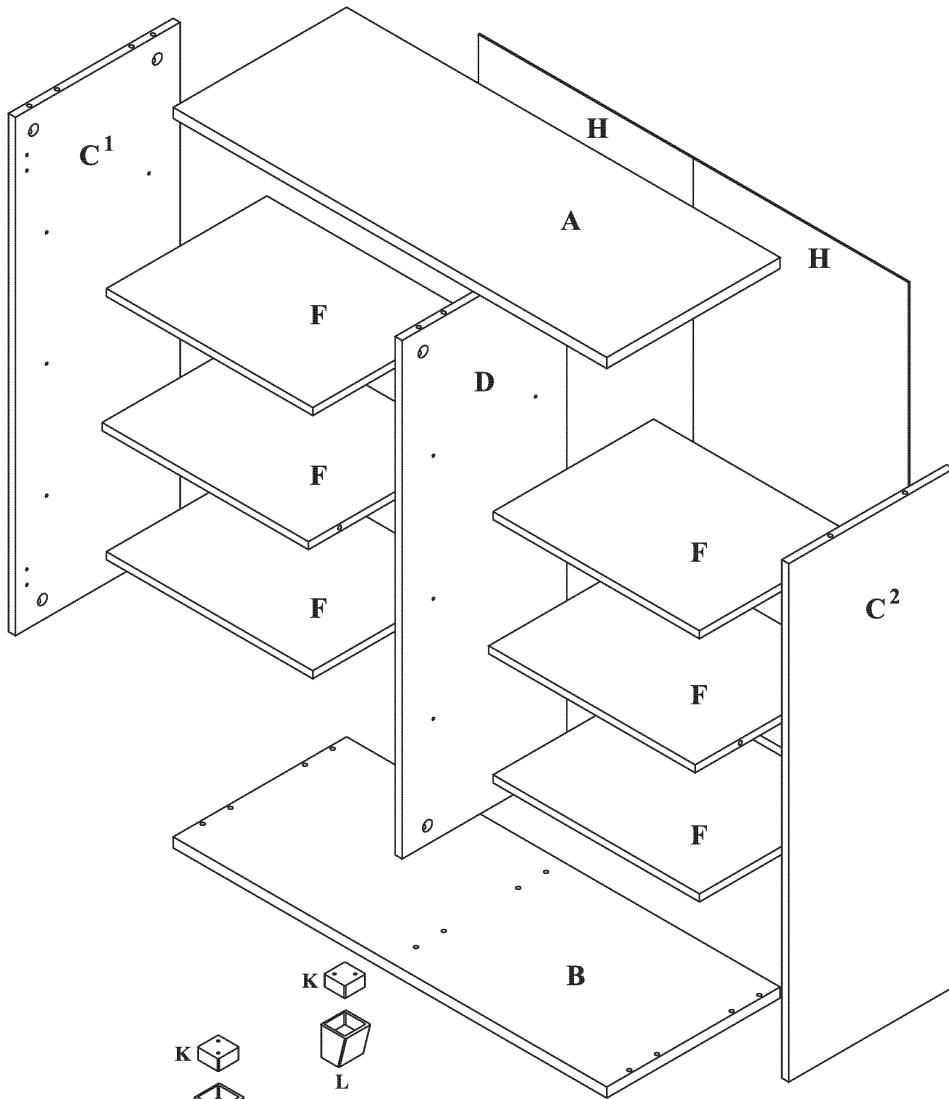
M24

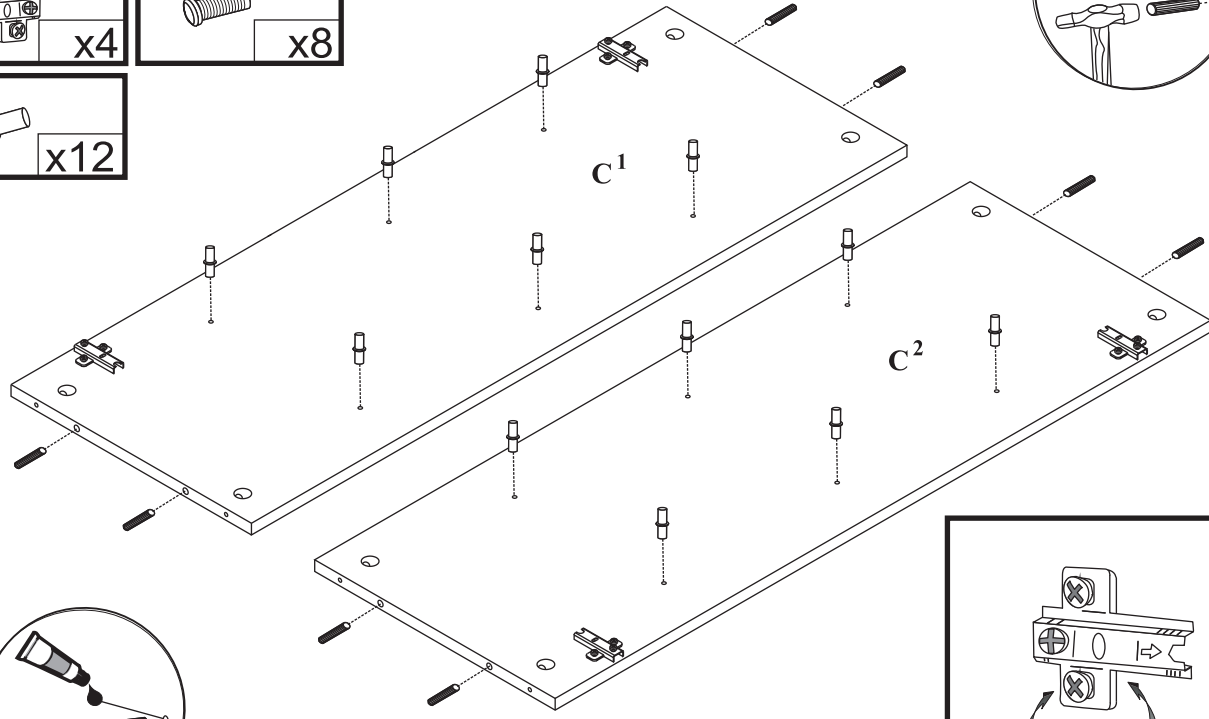
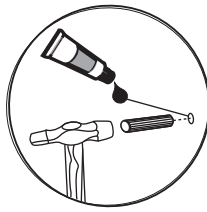
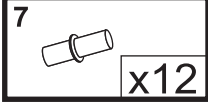
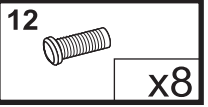
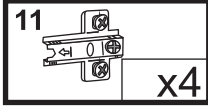
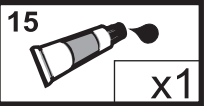
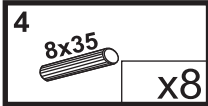


| | | | | | |
|--|---|--|--|---|--|
| 3  x12 | 4 8x35  x12 | 6 3,5x30  x4 | 7  x24 | 8  x50 | 9  x2 |
| 10  x4 | 11  x4 | 12  x8 | 13 3,5x16  x16 | 15  x1 | 16  x12 |
| 17  x12 | | | | | |

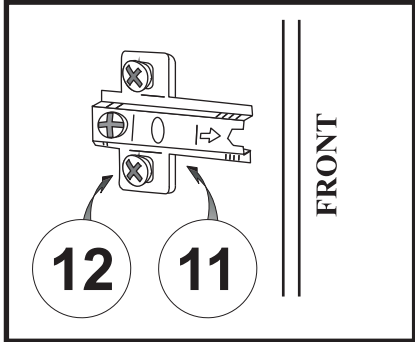
90 min.



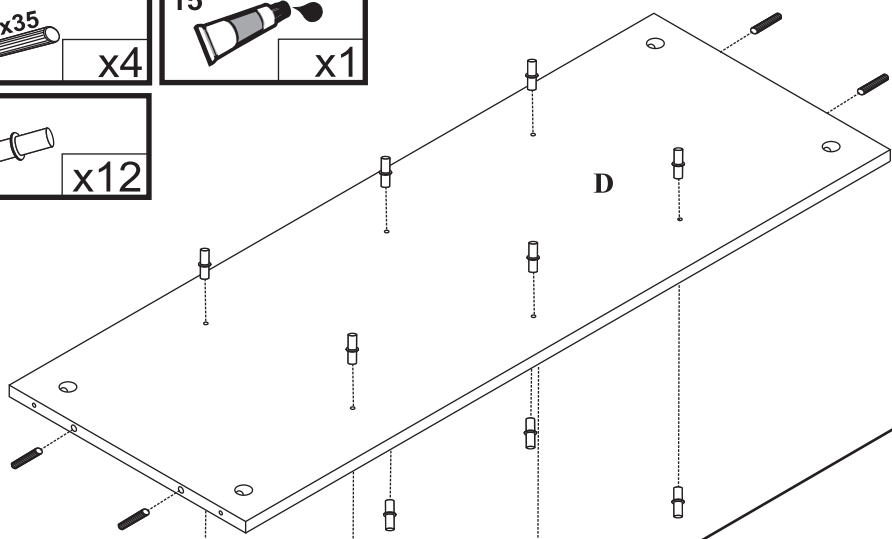
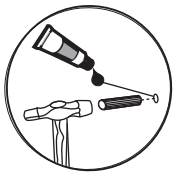
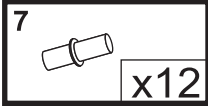
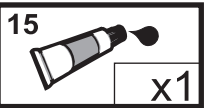
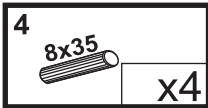




1

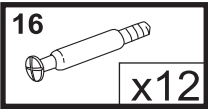
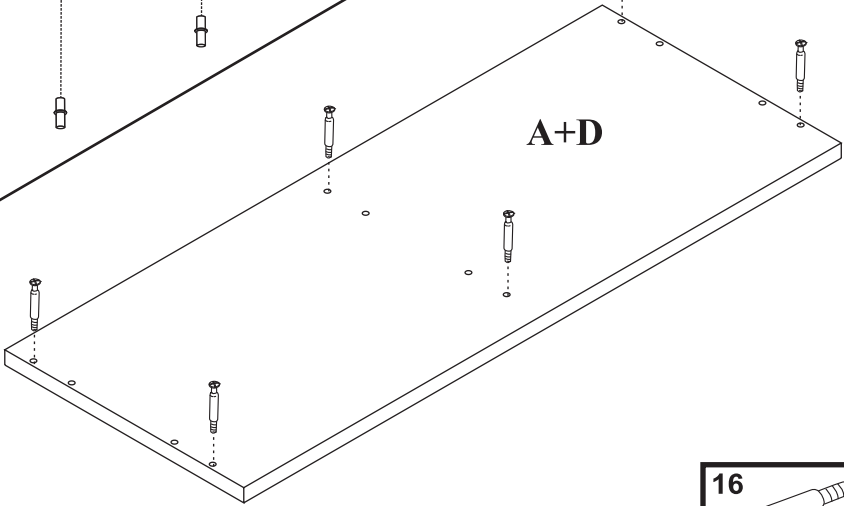
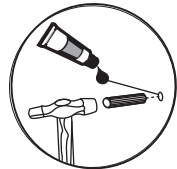


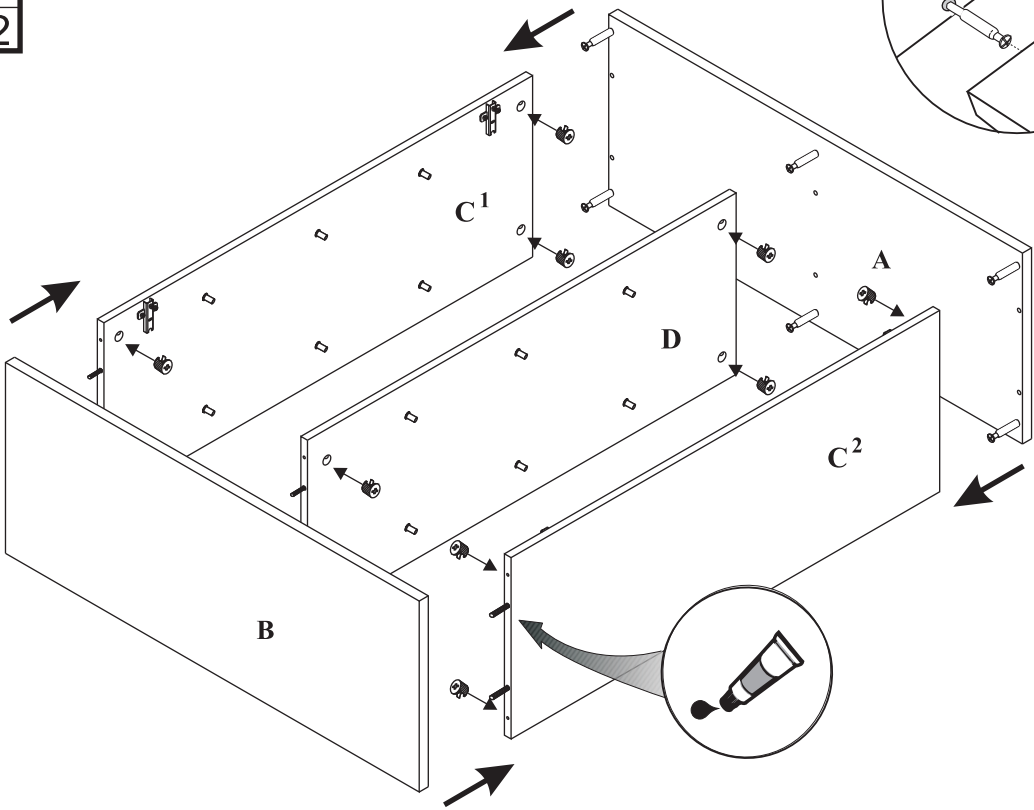
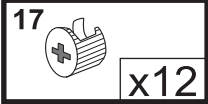
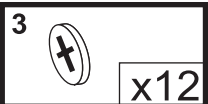
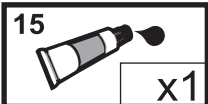
FRONT



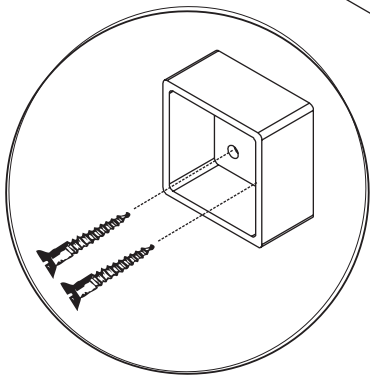
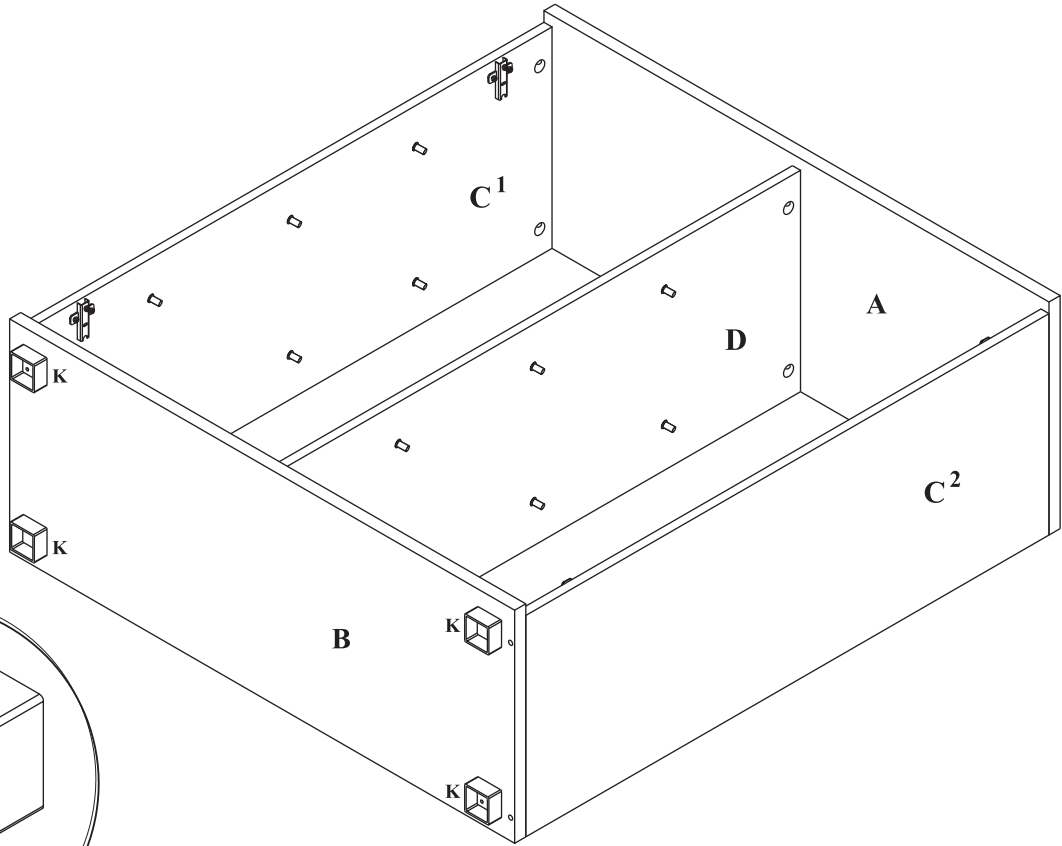
2

3

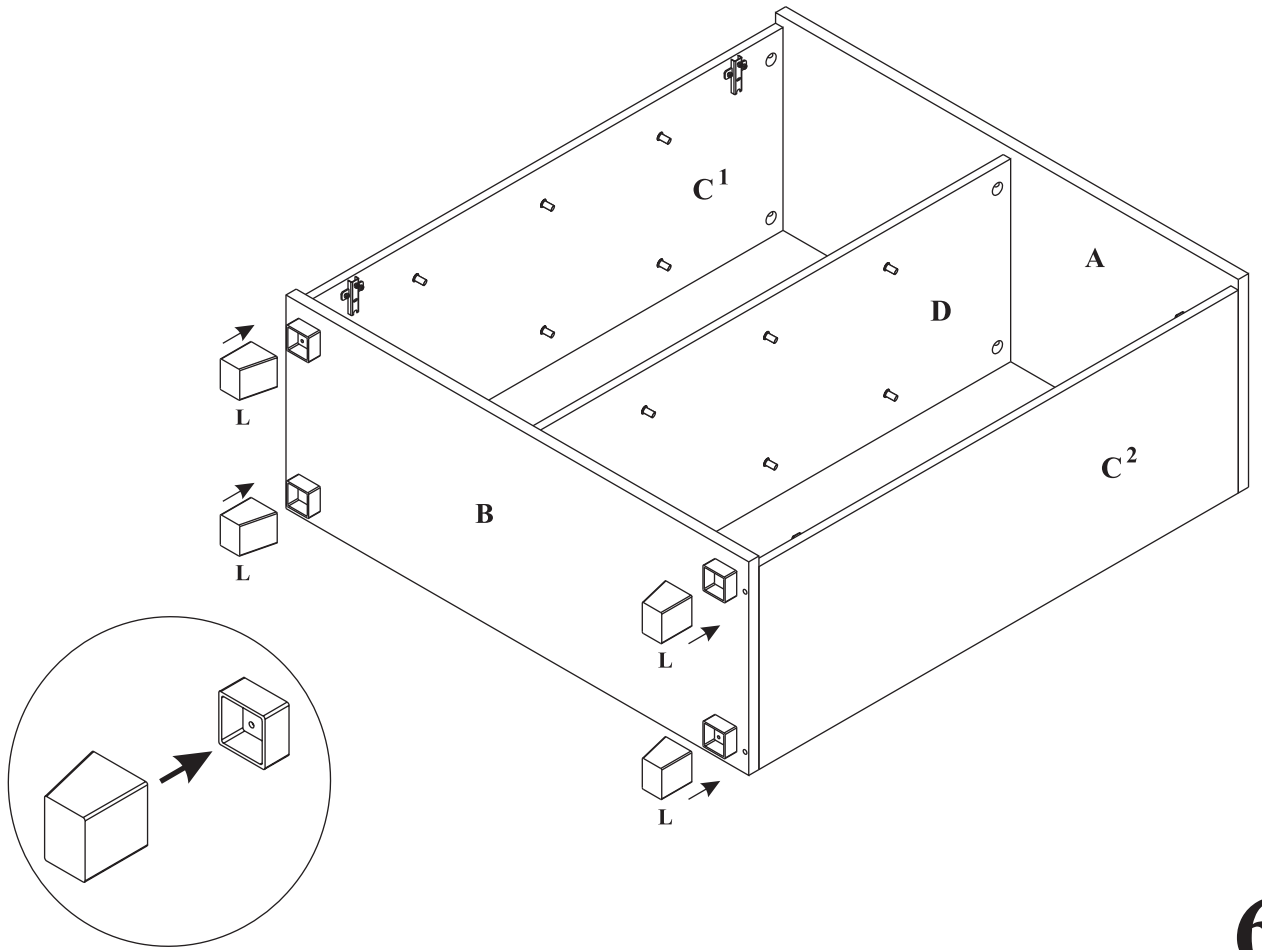




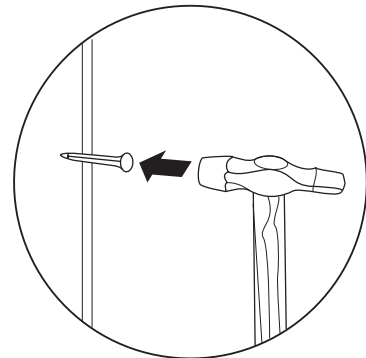
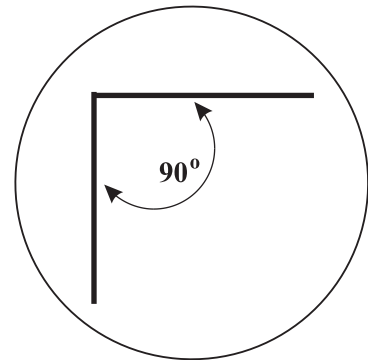
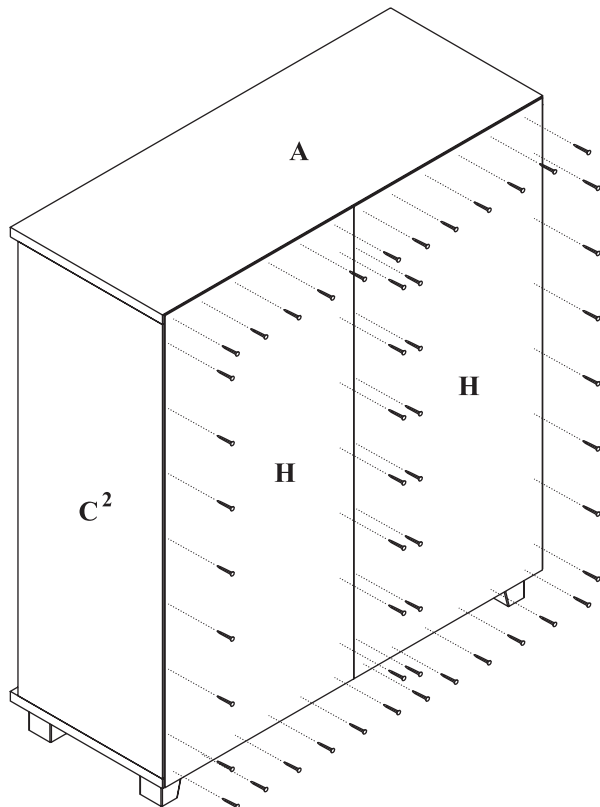
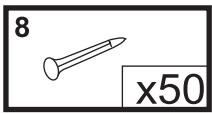
4



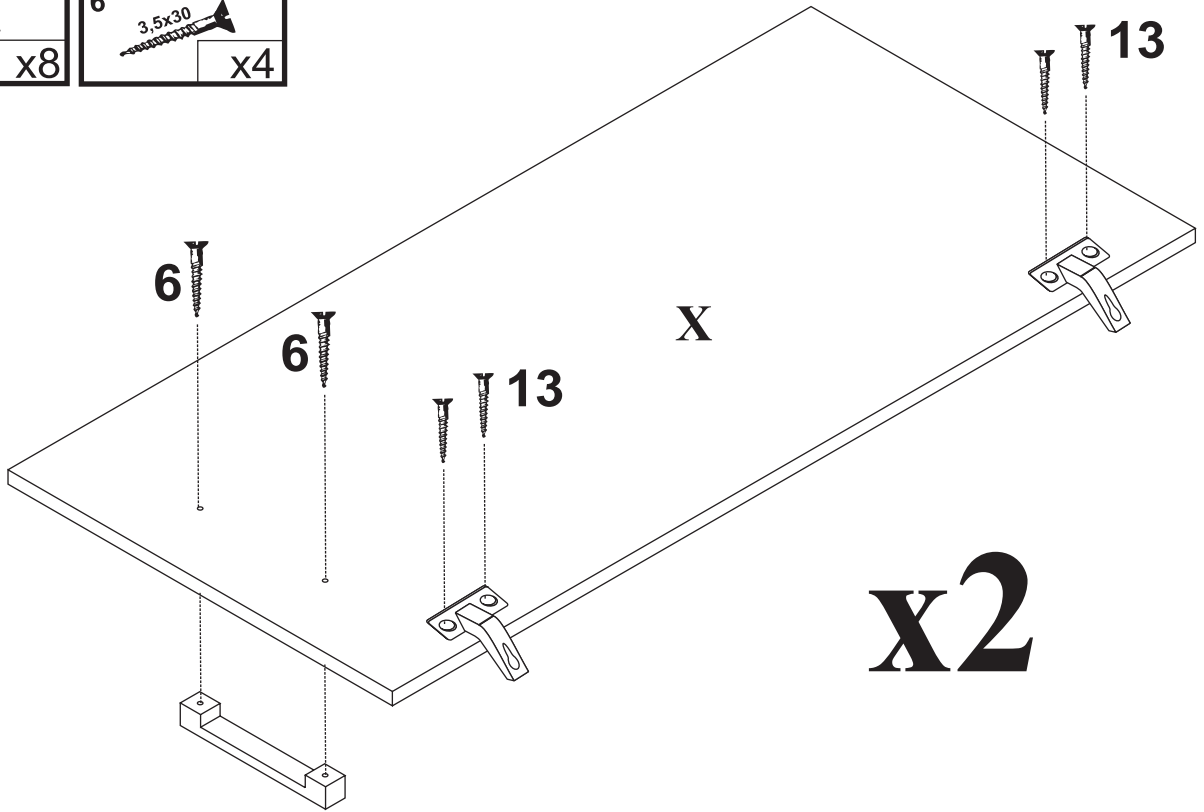
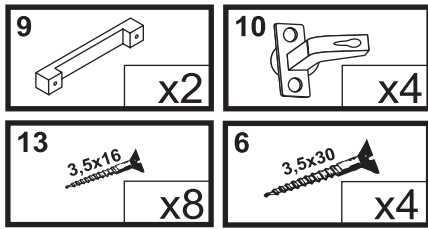
5



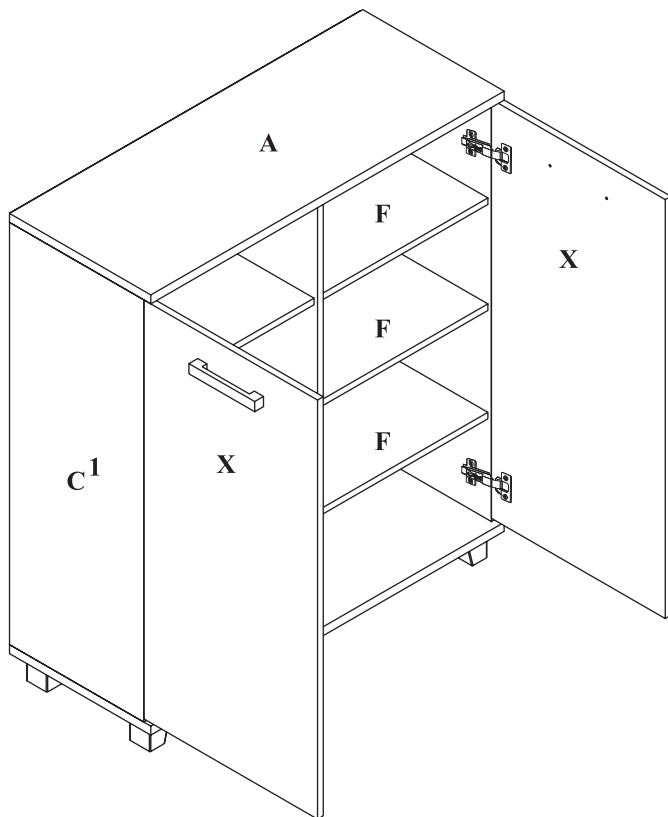
6



7



8



9