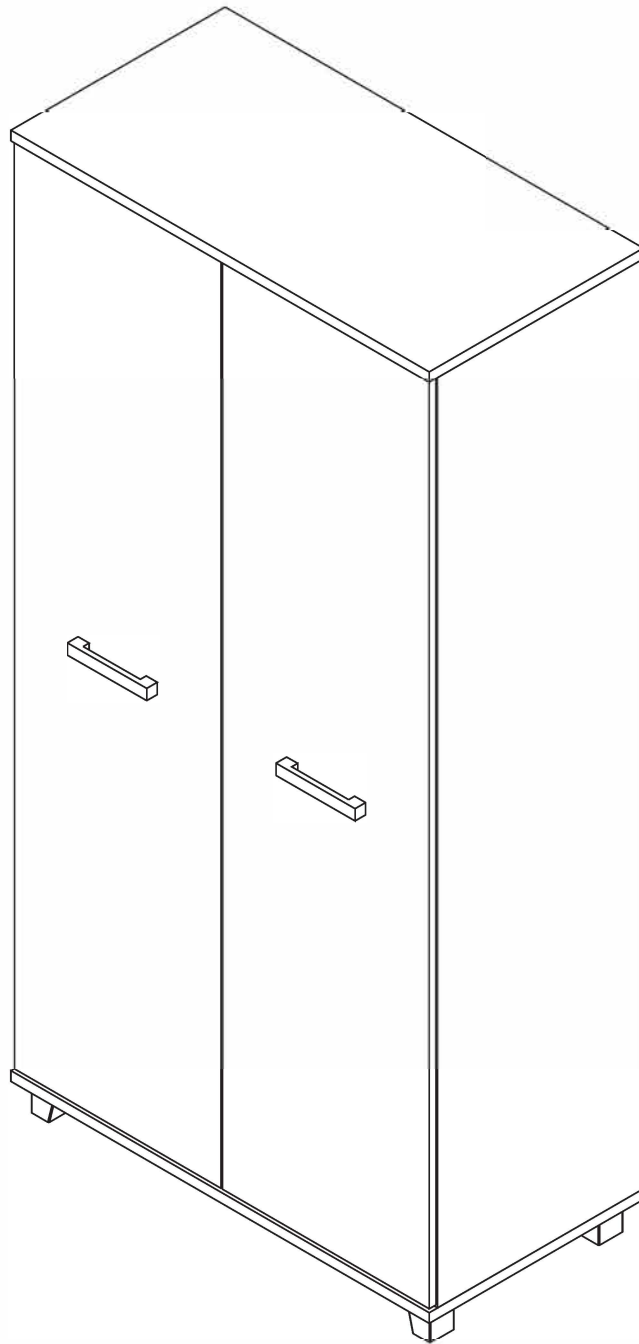







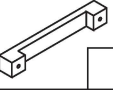
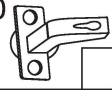
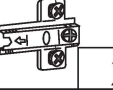
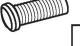

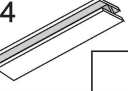
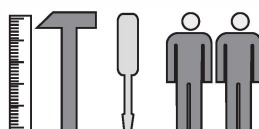


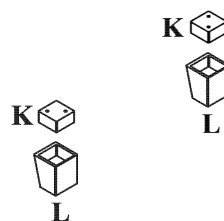
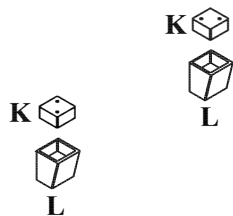
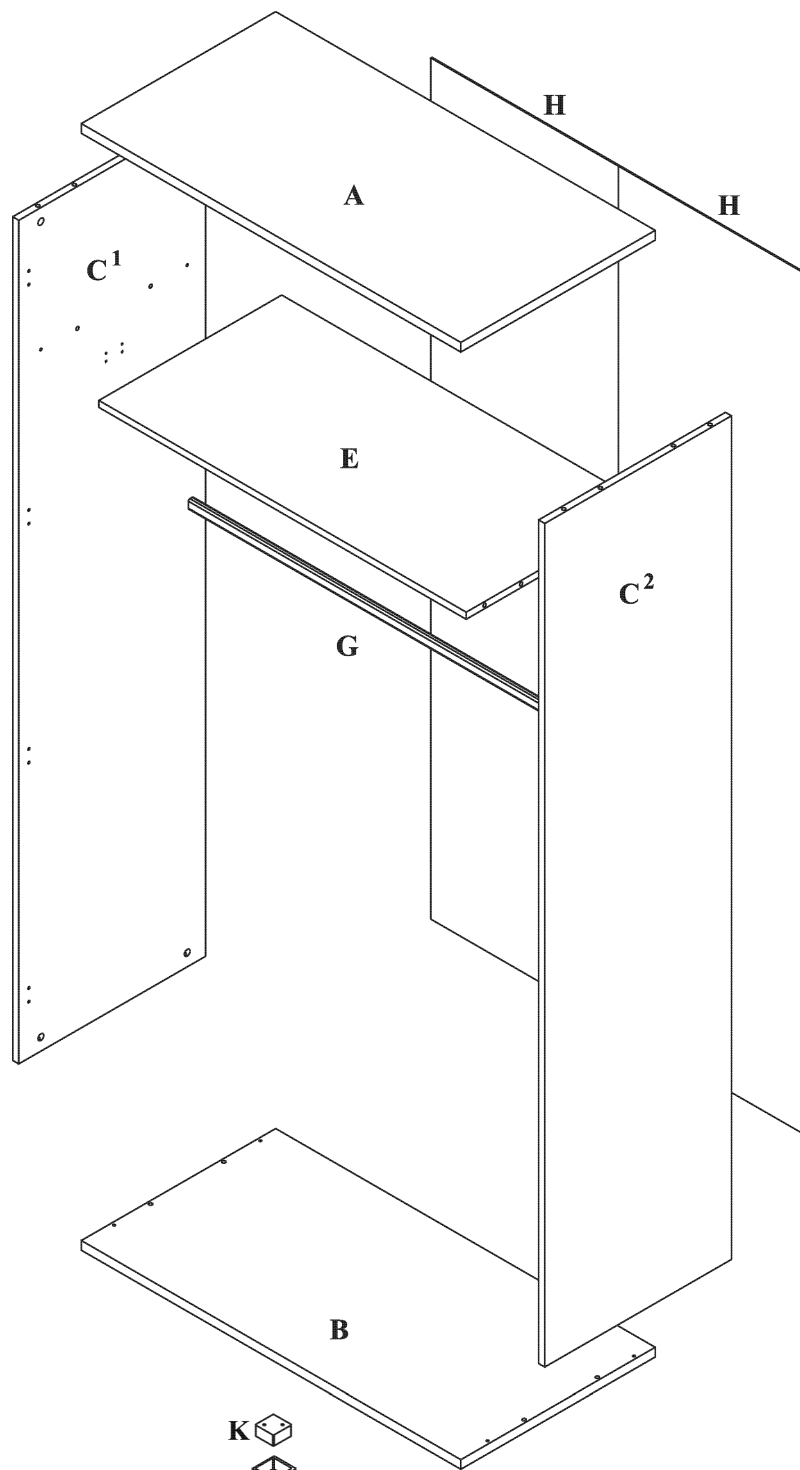
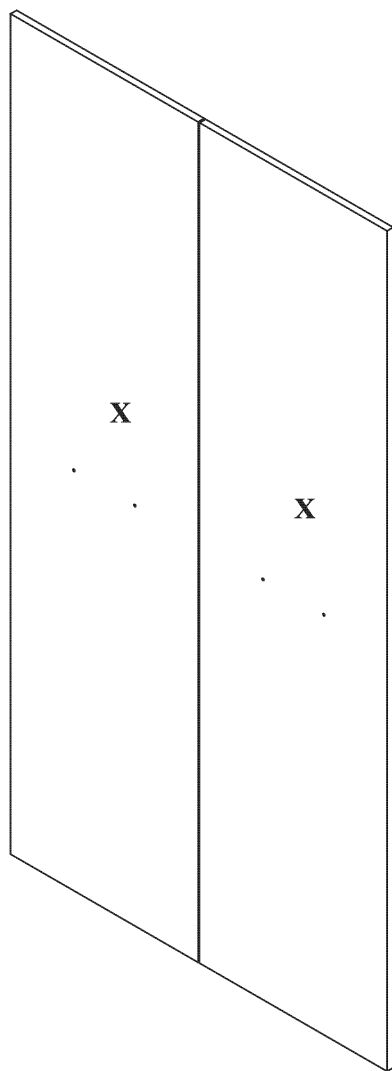
# M2

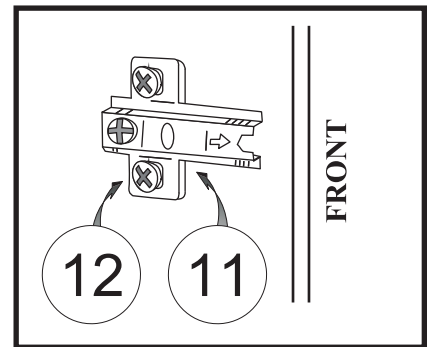
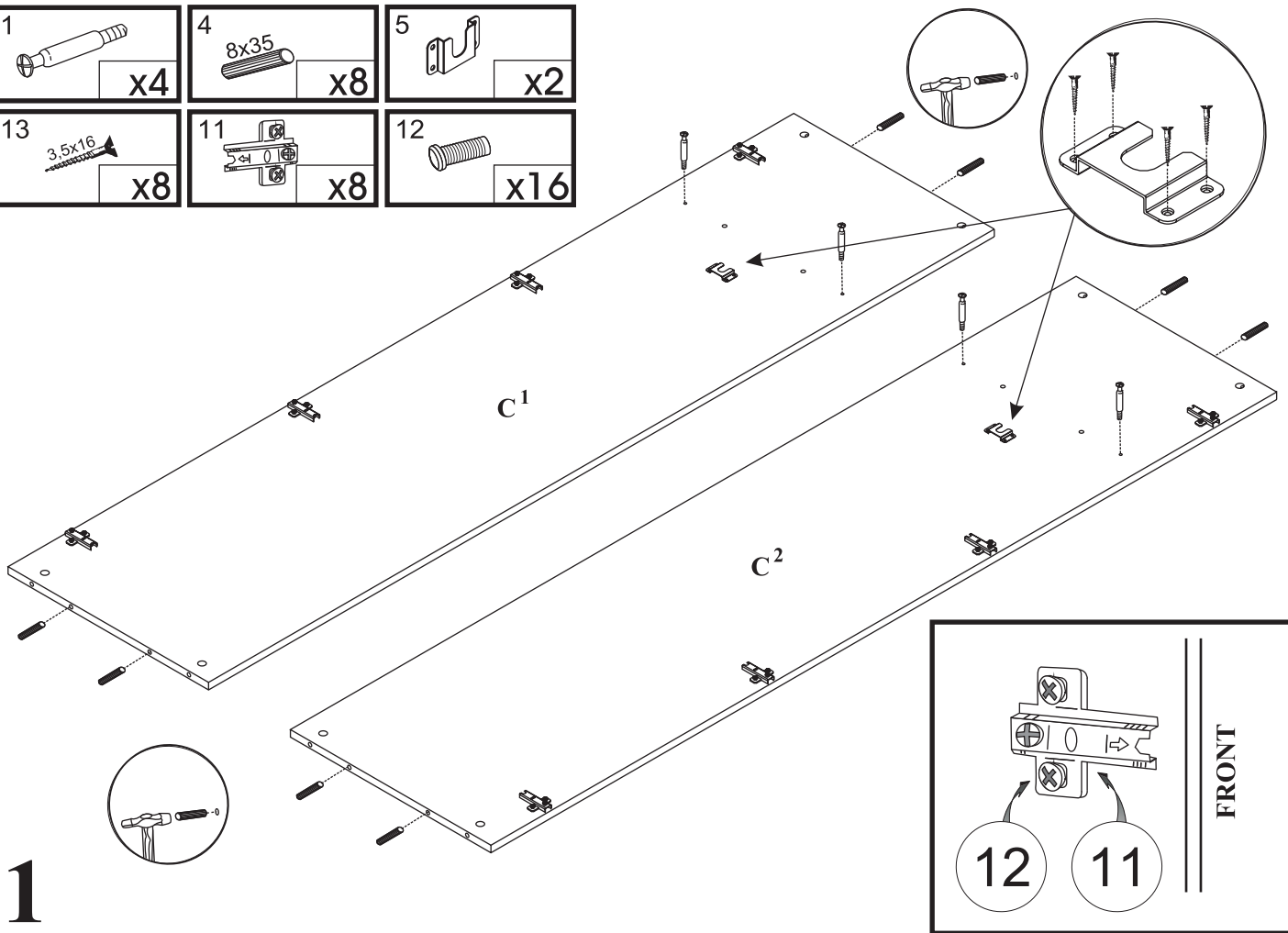
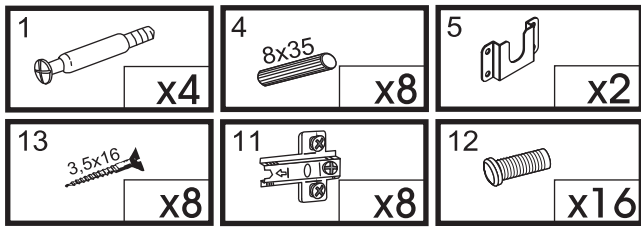


1  x12	2  x12	3  x12	4 8x35  x12	5  x2	6 3.5x30  x4
8  x60	9  x2	10  x8	11  x8	12  x16	13 3.5x16  x32
14  x1					

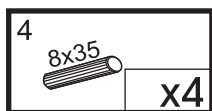
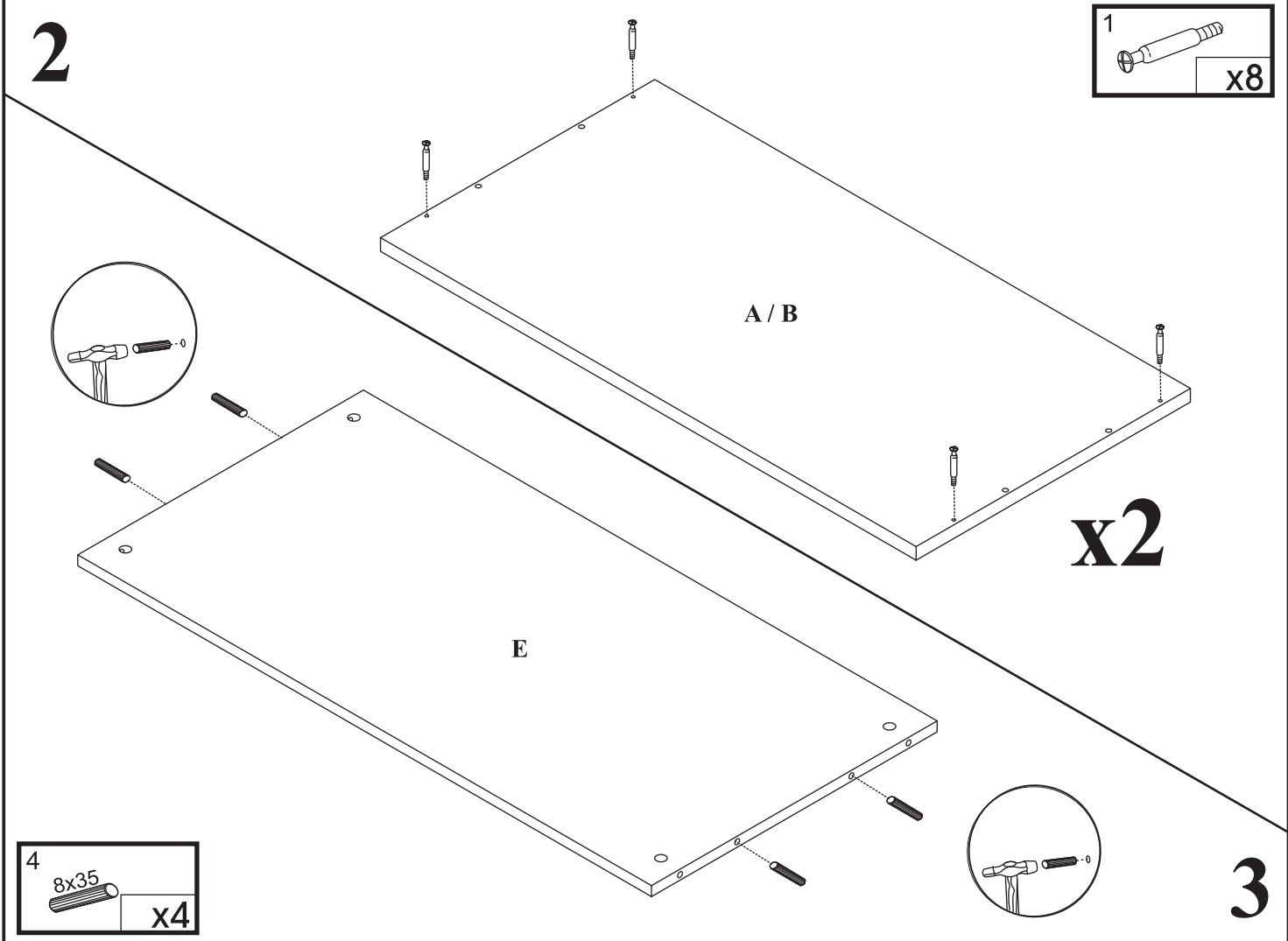
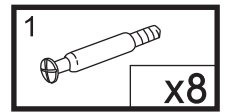
90 min.



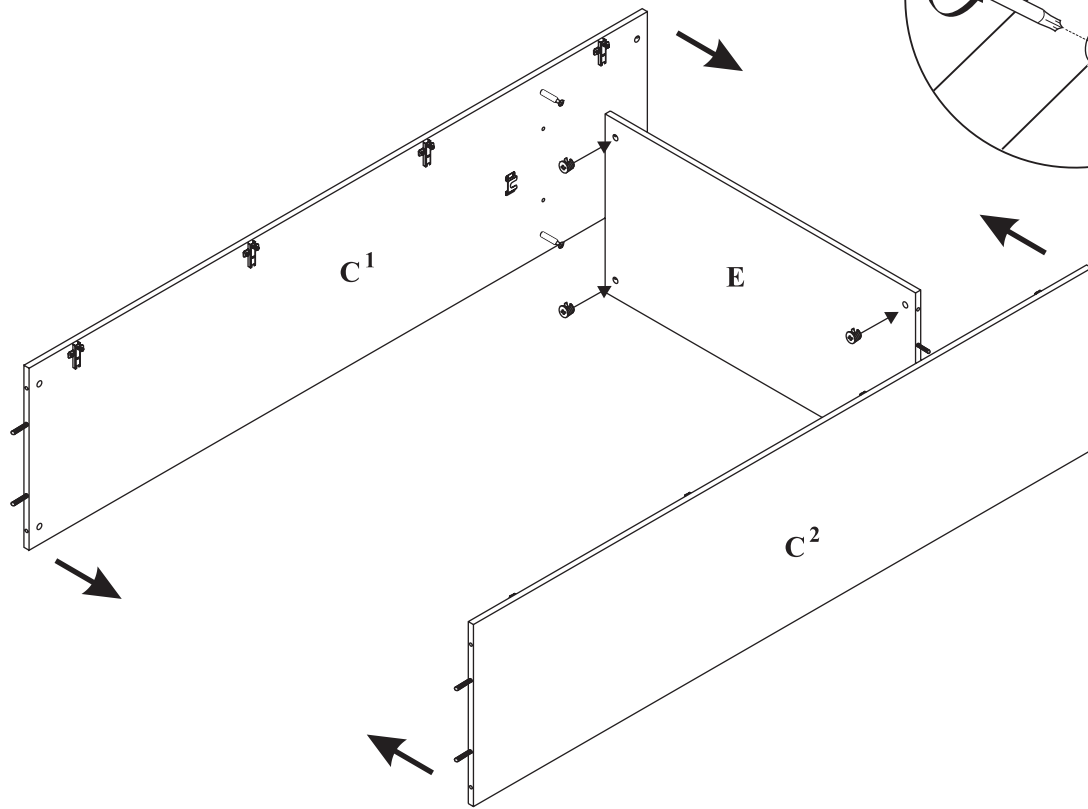
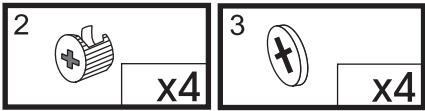




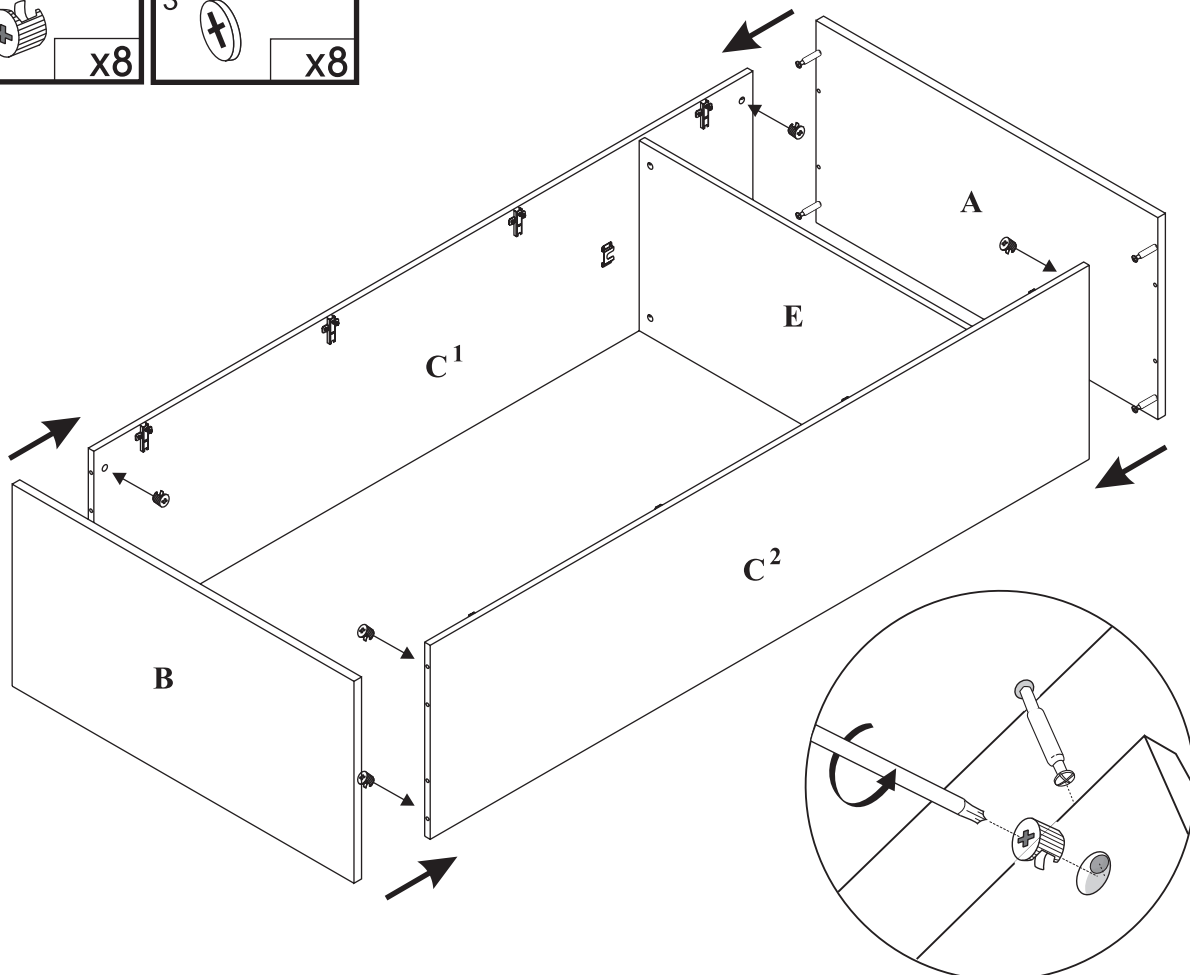
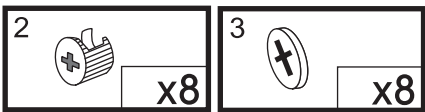
2



3



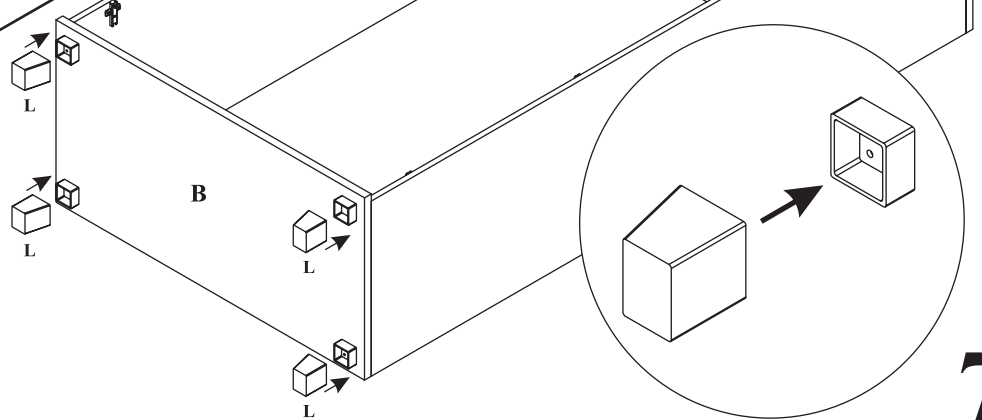
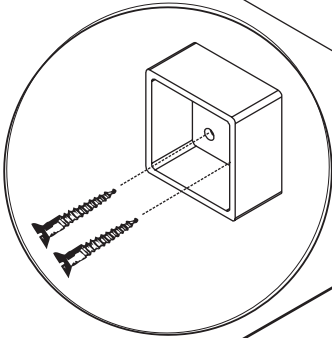
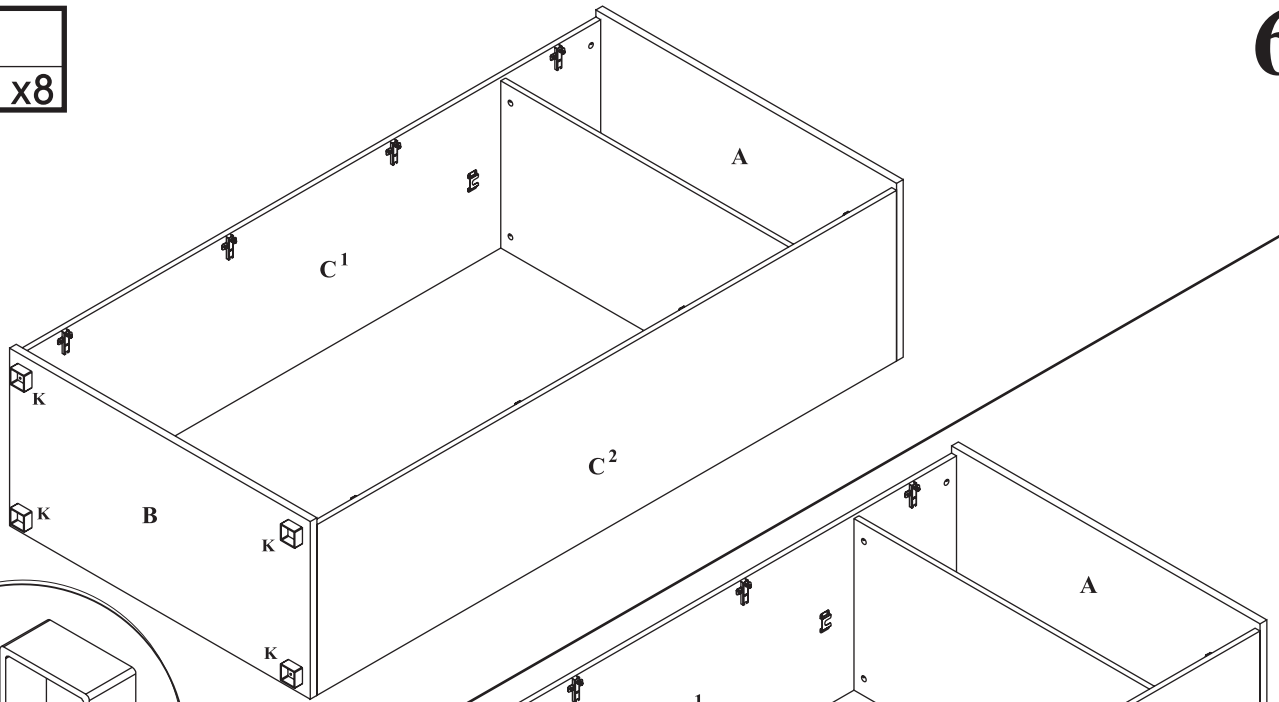
4



5

6

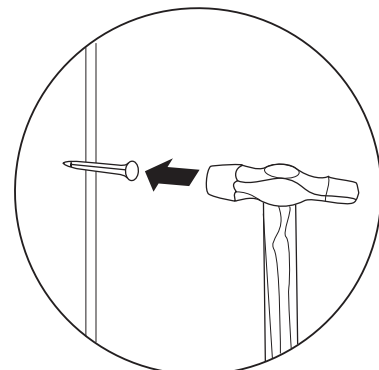
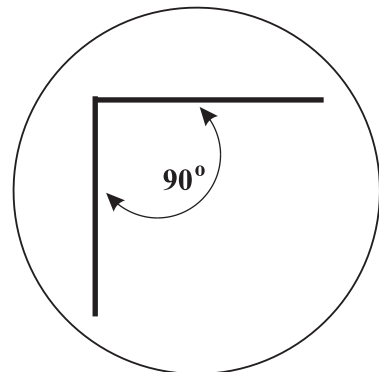
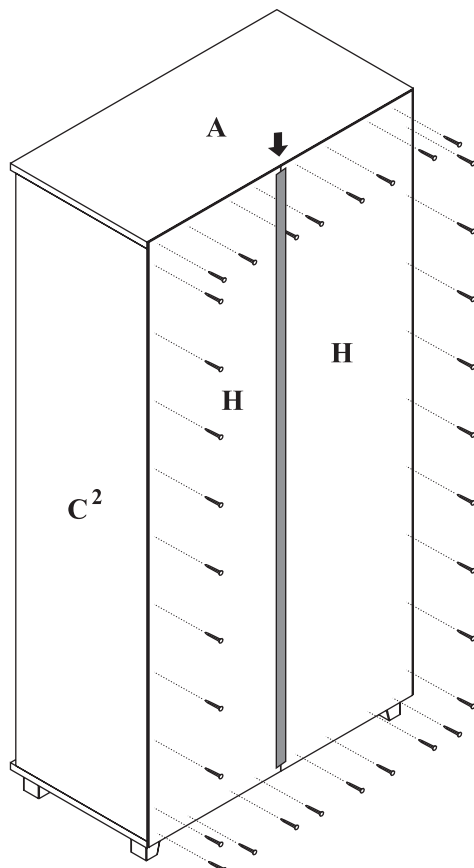
13  
3,5x16  
x8



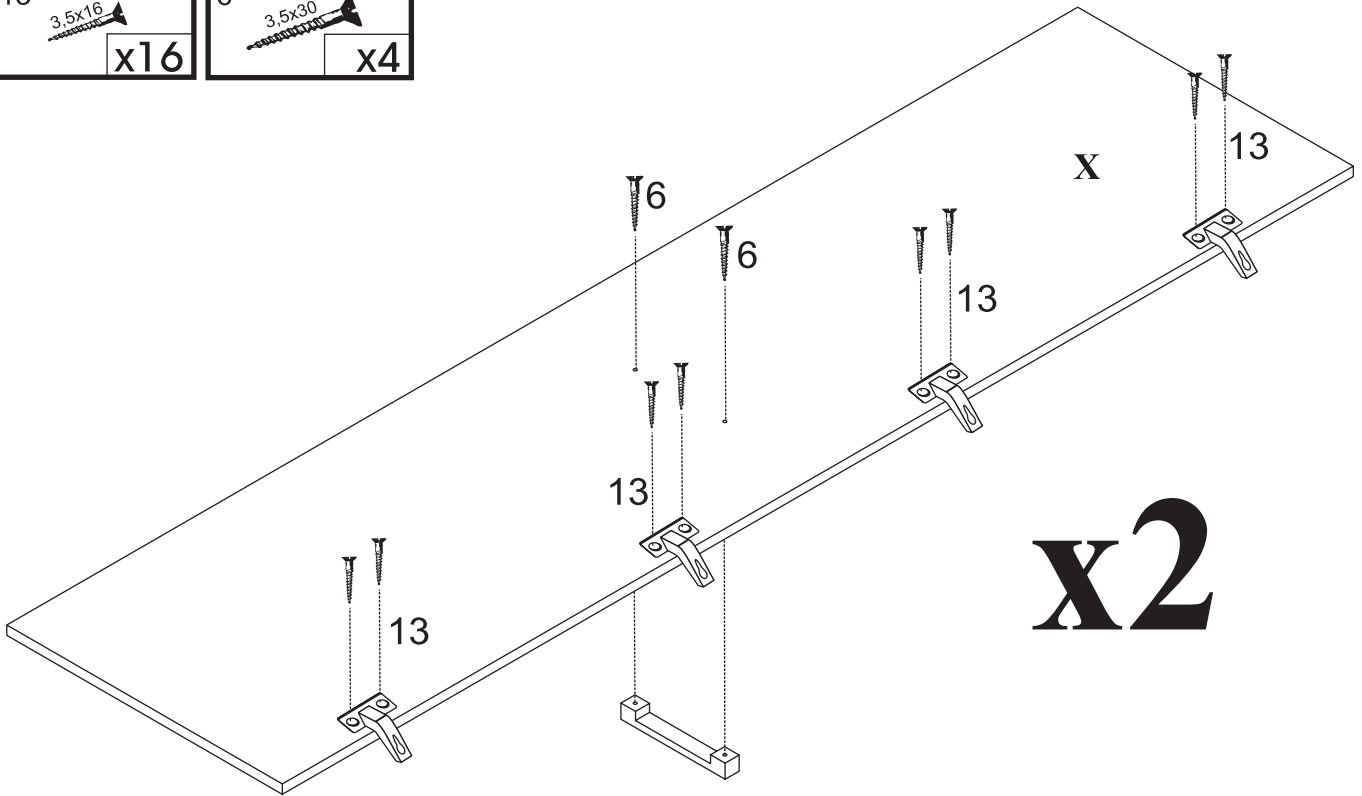
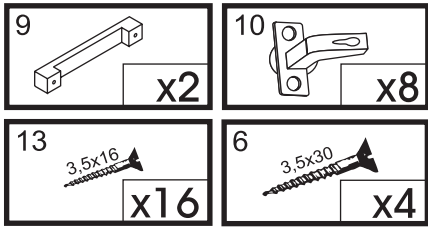
7

8  
x60

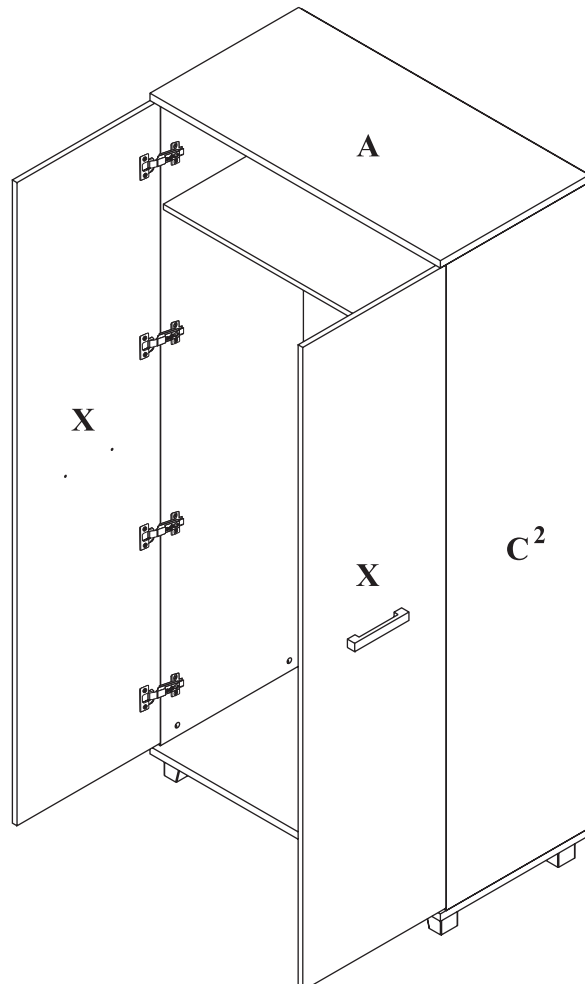
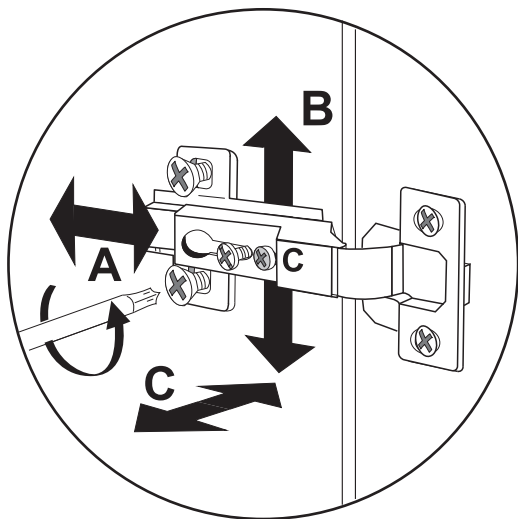
14  
x1



8



9



10