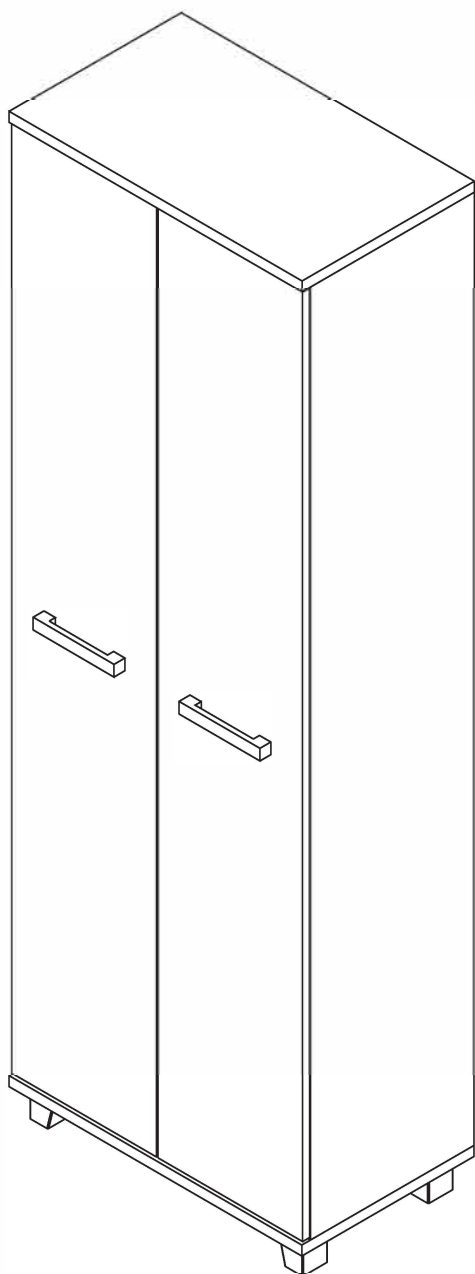







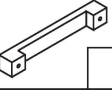
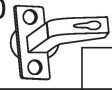
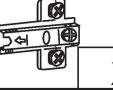
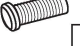

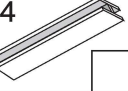

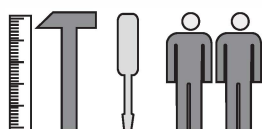


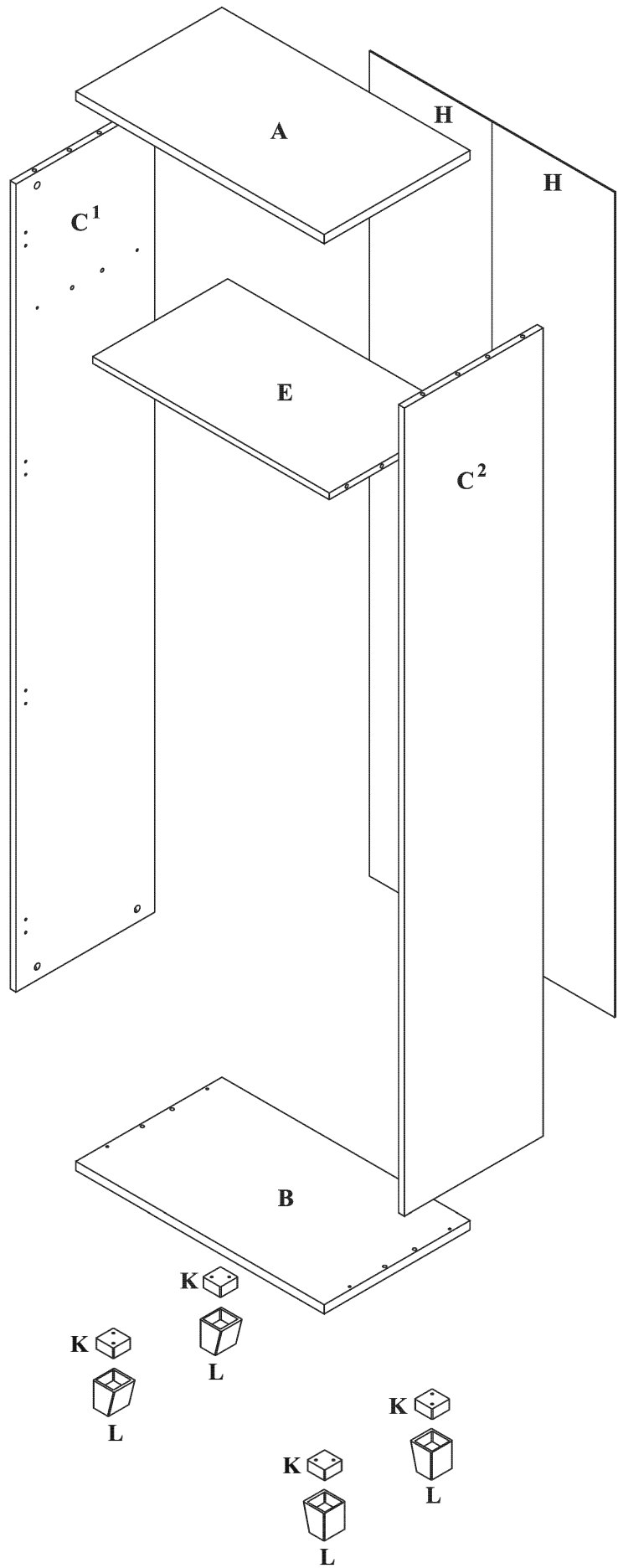
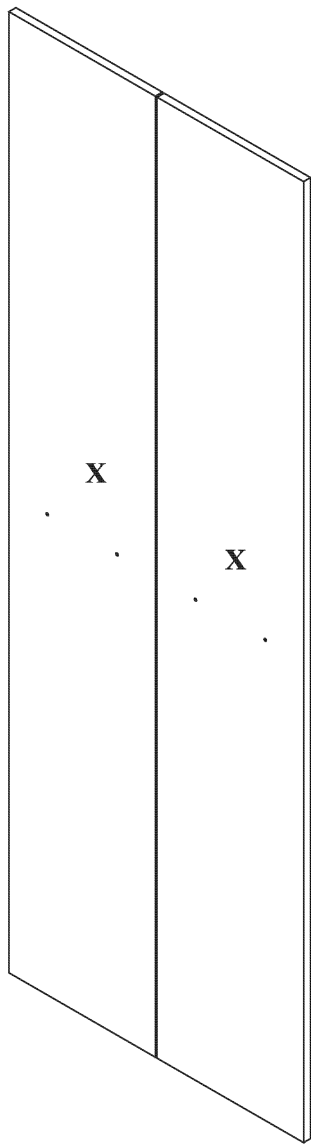
# M15

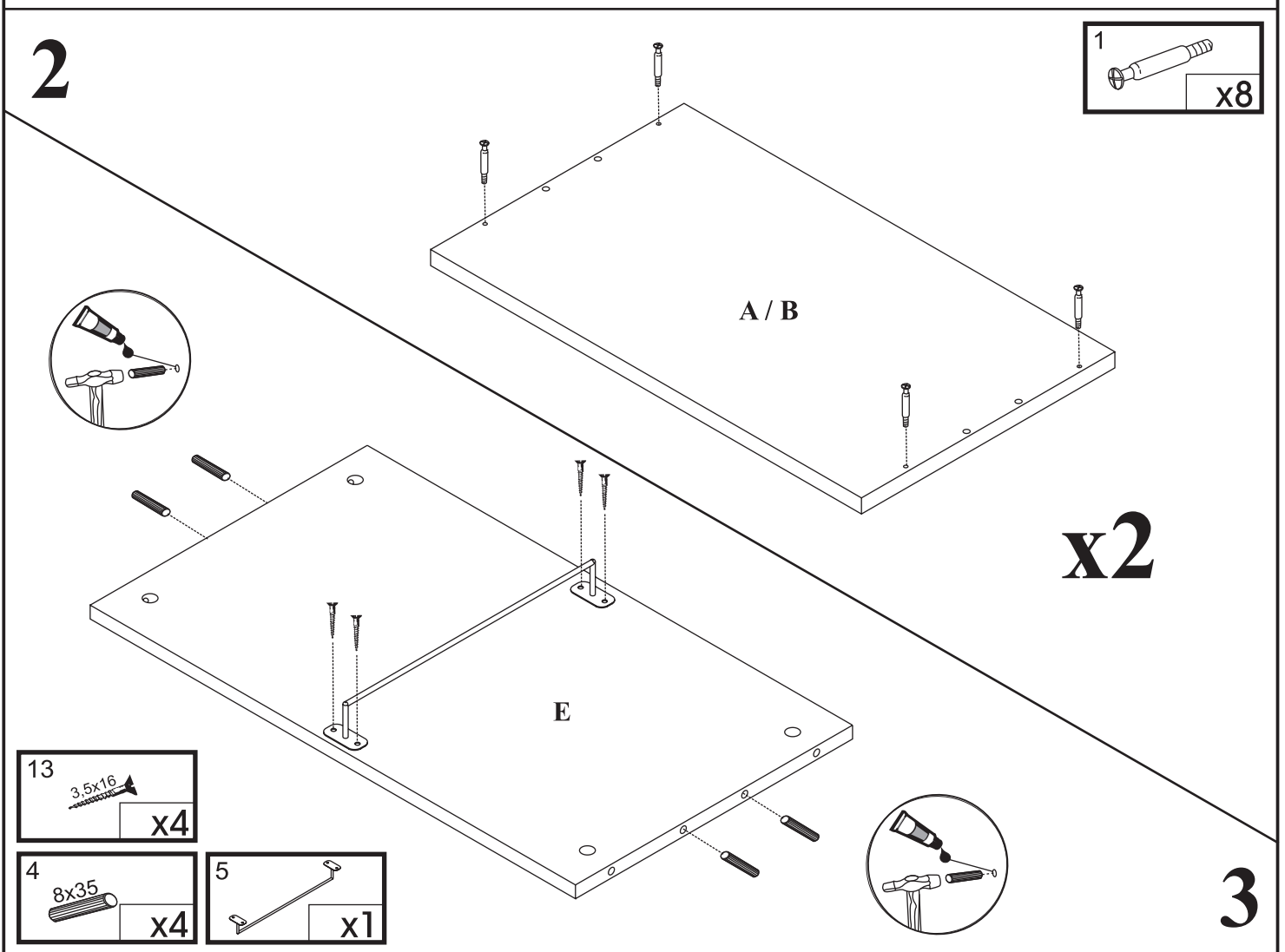
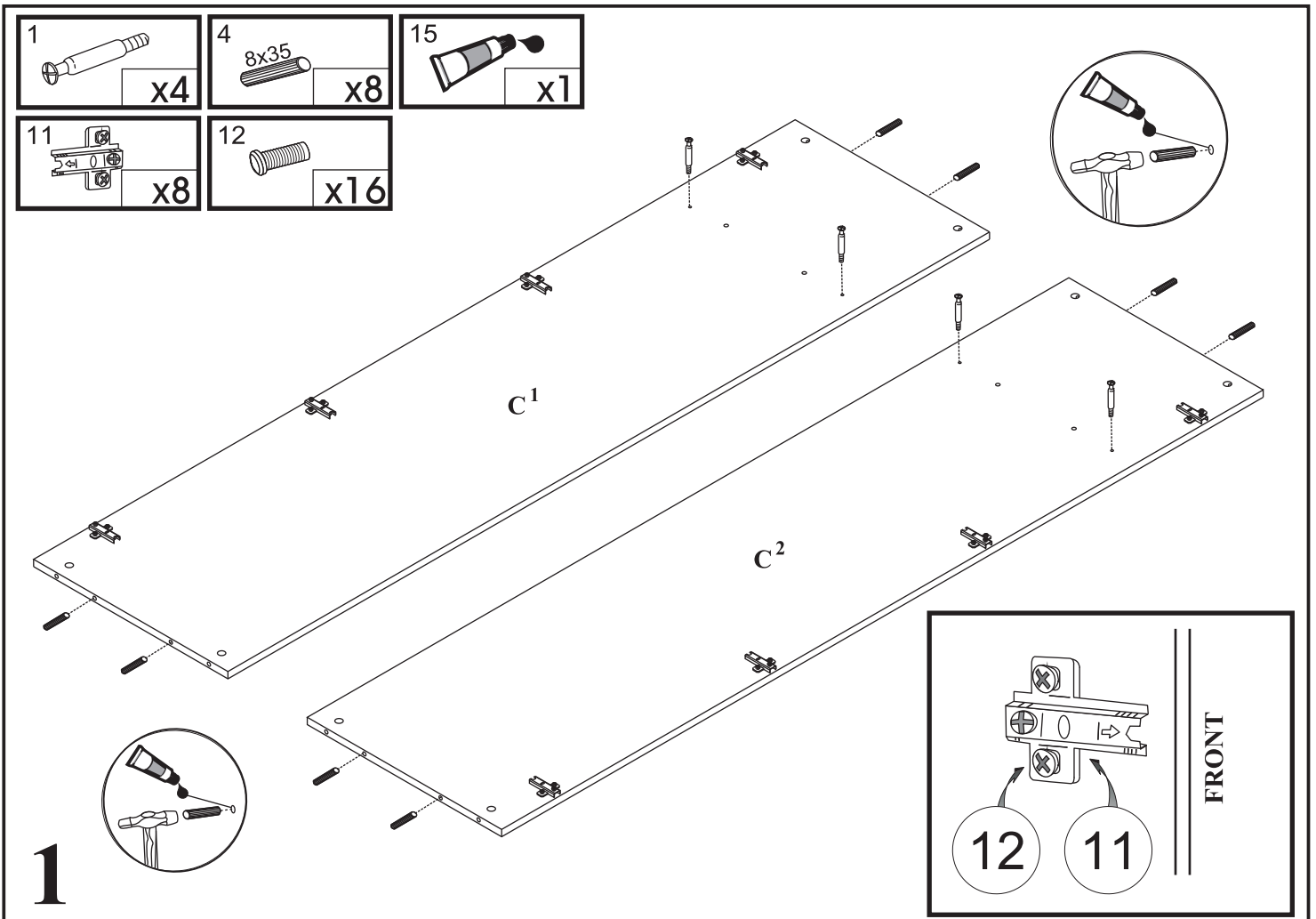


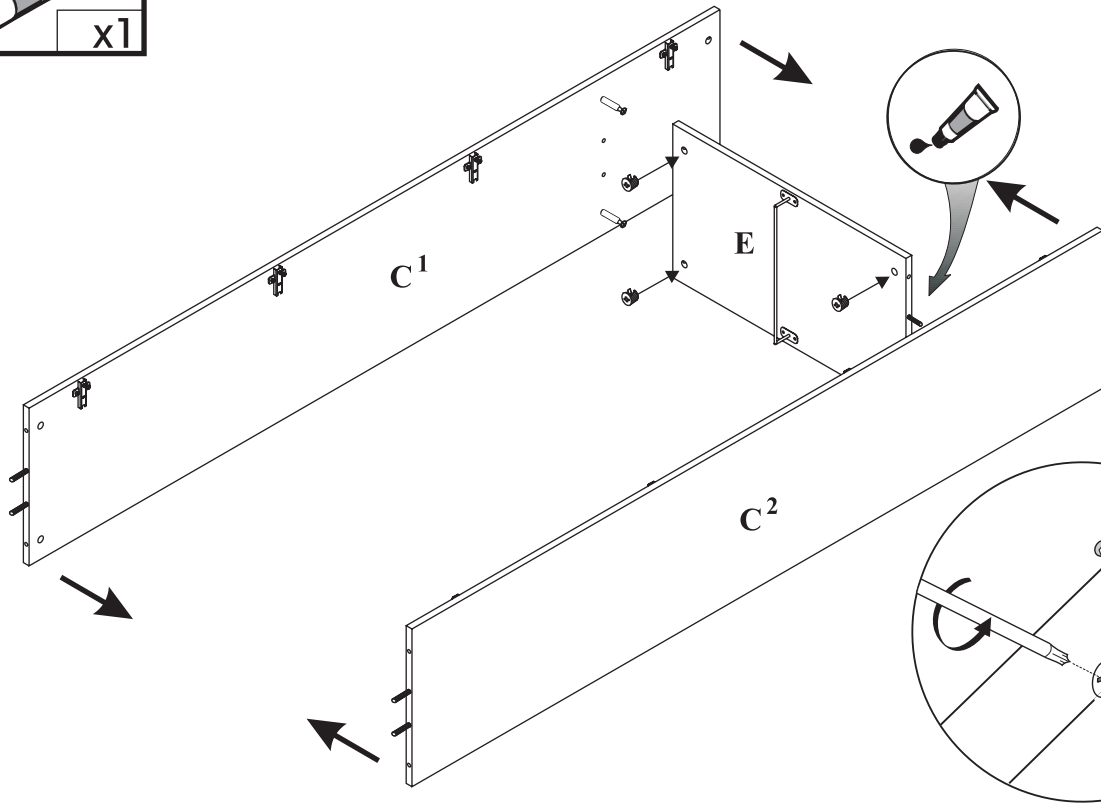
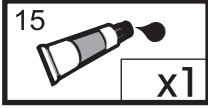
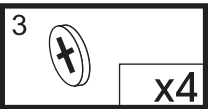
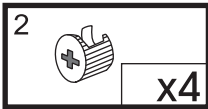
1  x12	2  x12	3  x12	4  8x35 x12	5  x1	6  3.5x30 x4
8  x60	9  x2	10  x8	11  x8	12  x16	13  3.5x16 x28
14  x1	15  x1				

90 min.

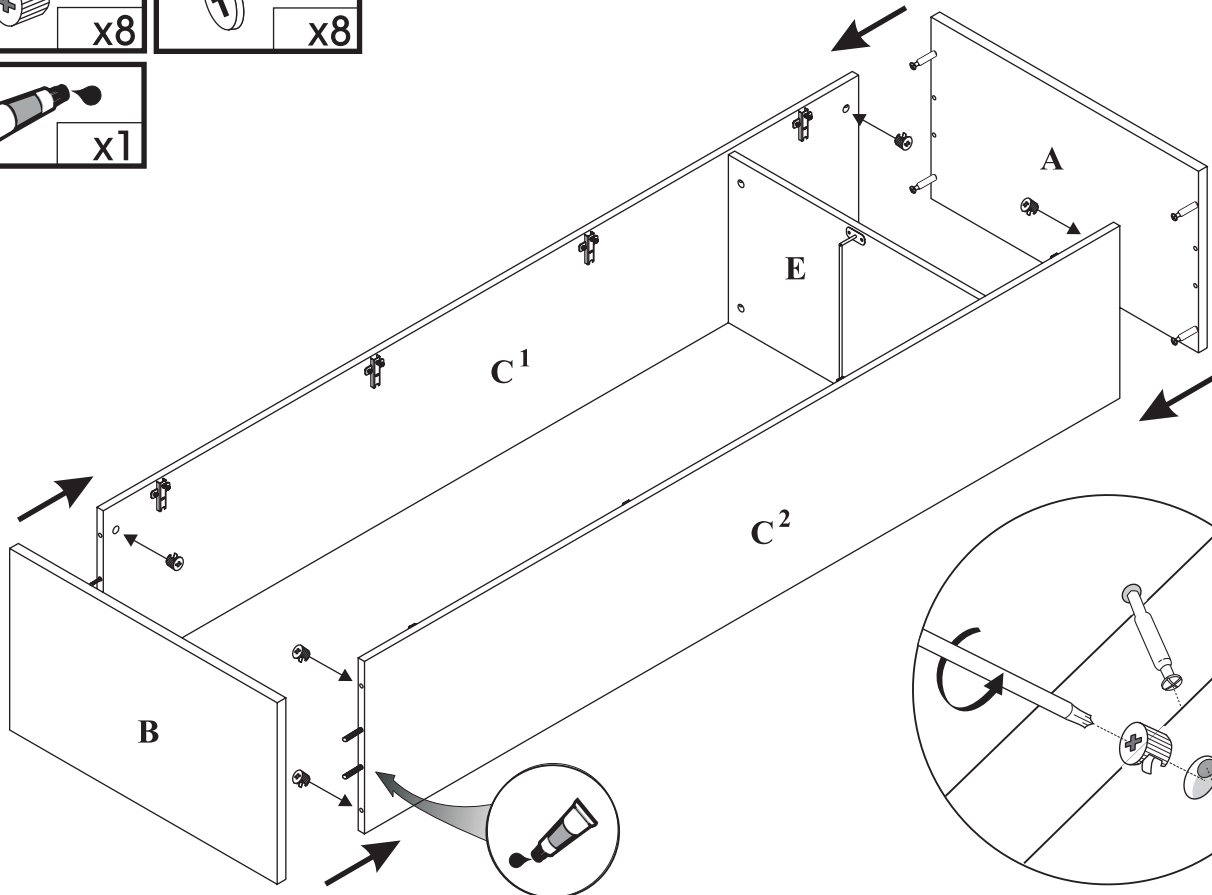
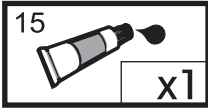
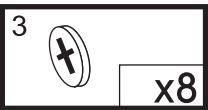
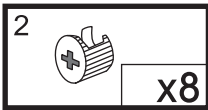








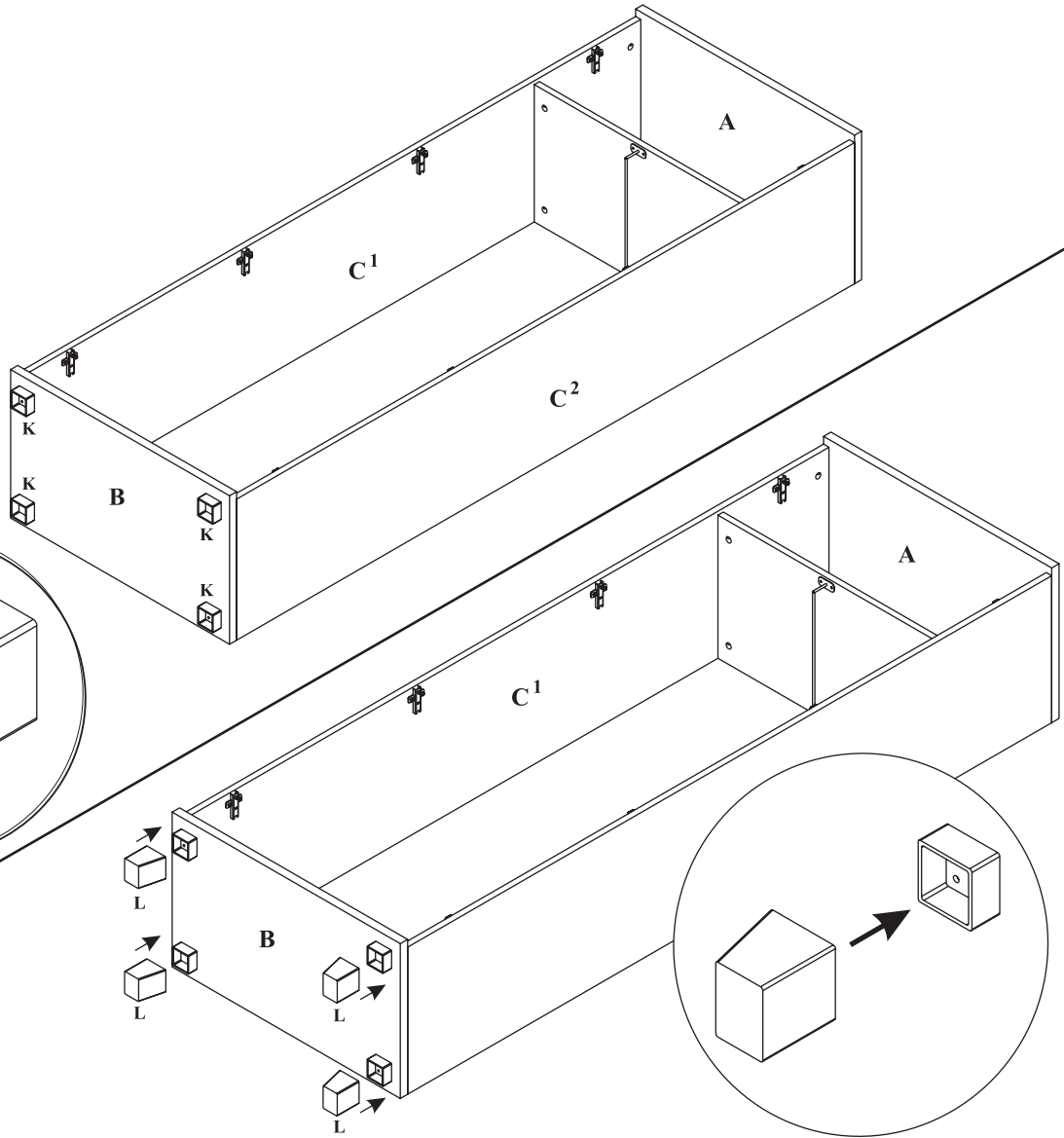
4



5

6

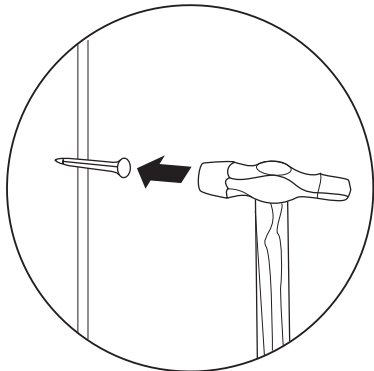
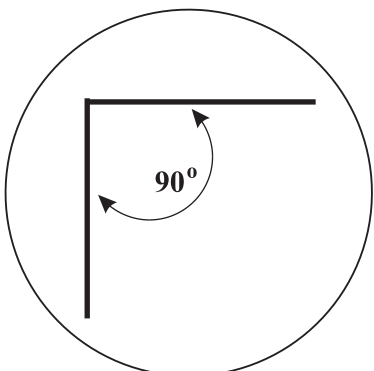
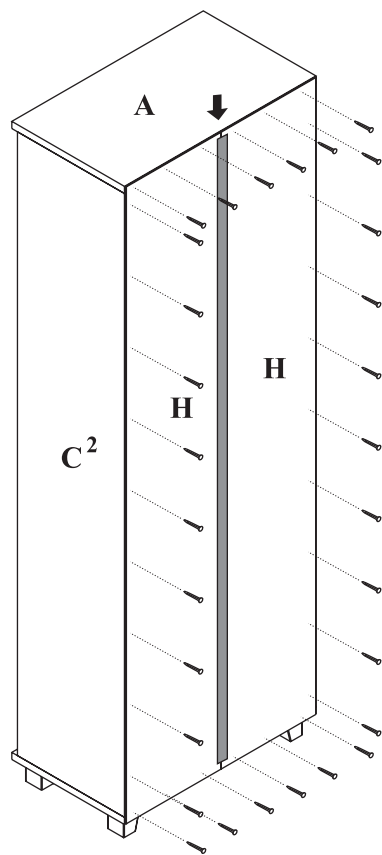
13  
3,5x16  
x8



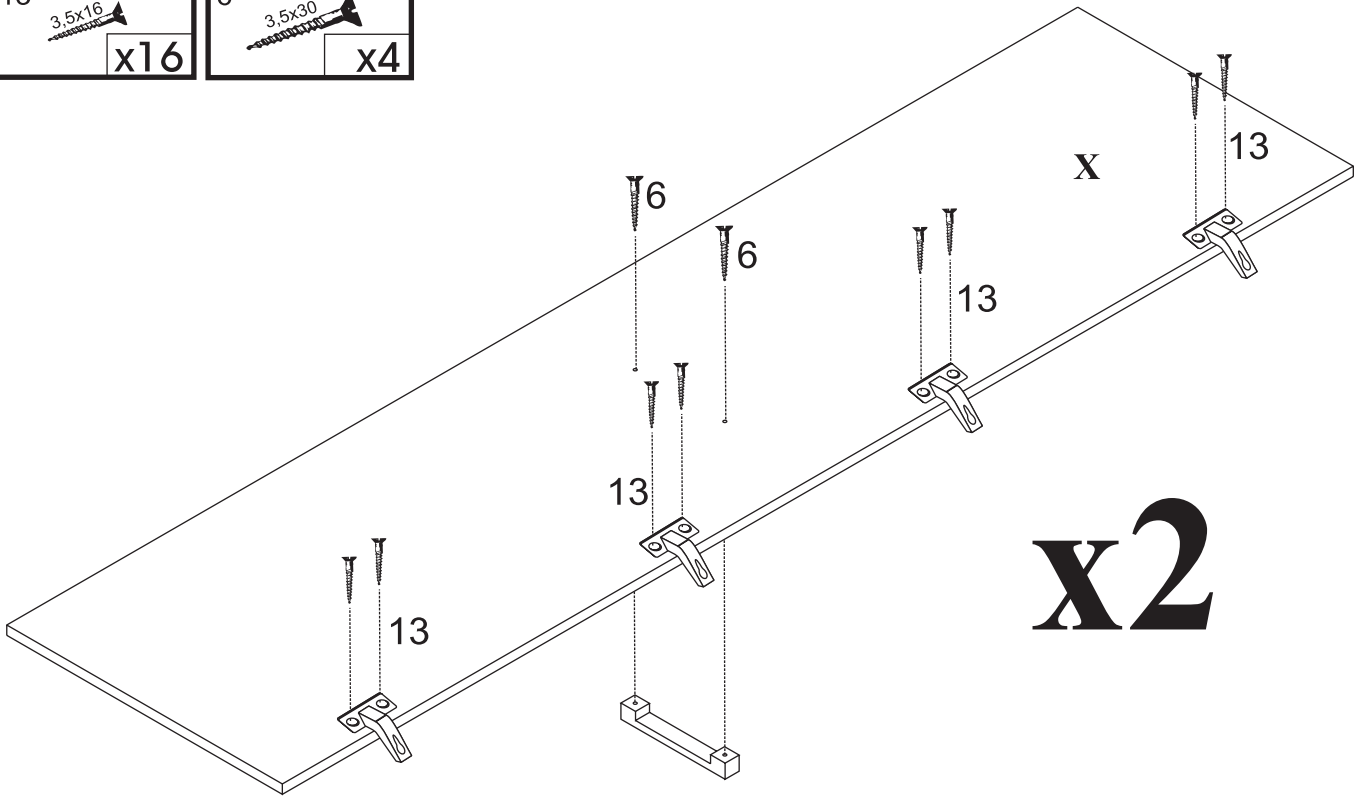
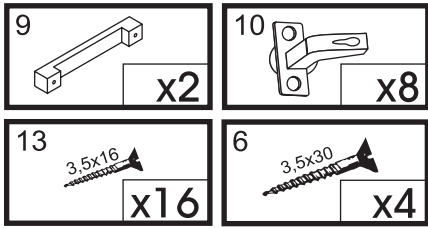
7

8  
x60

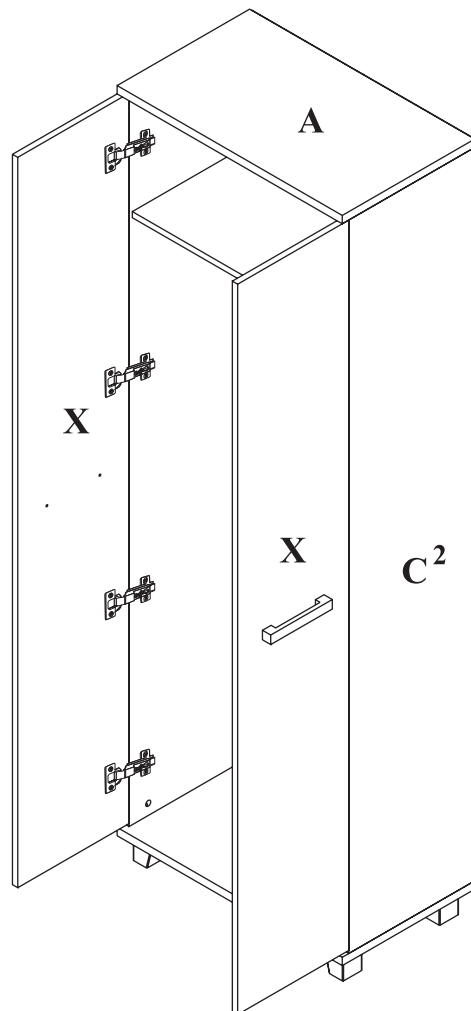
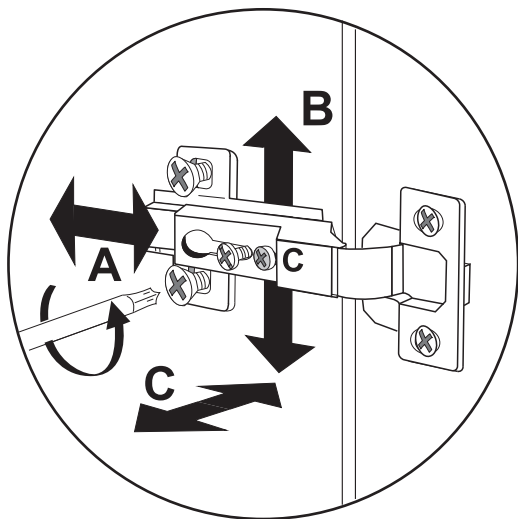
14  
x1



8



9



10