
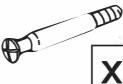


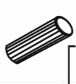
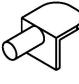
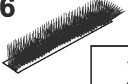




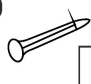



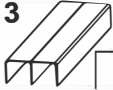



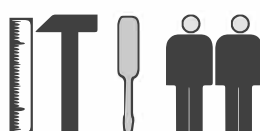
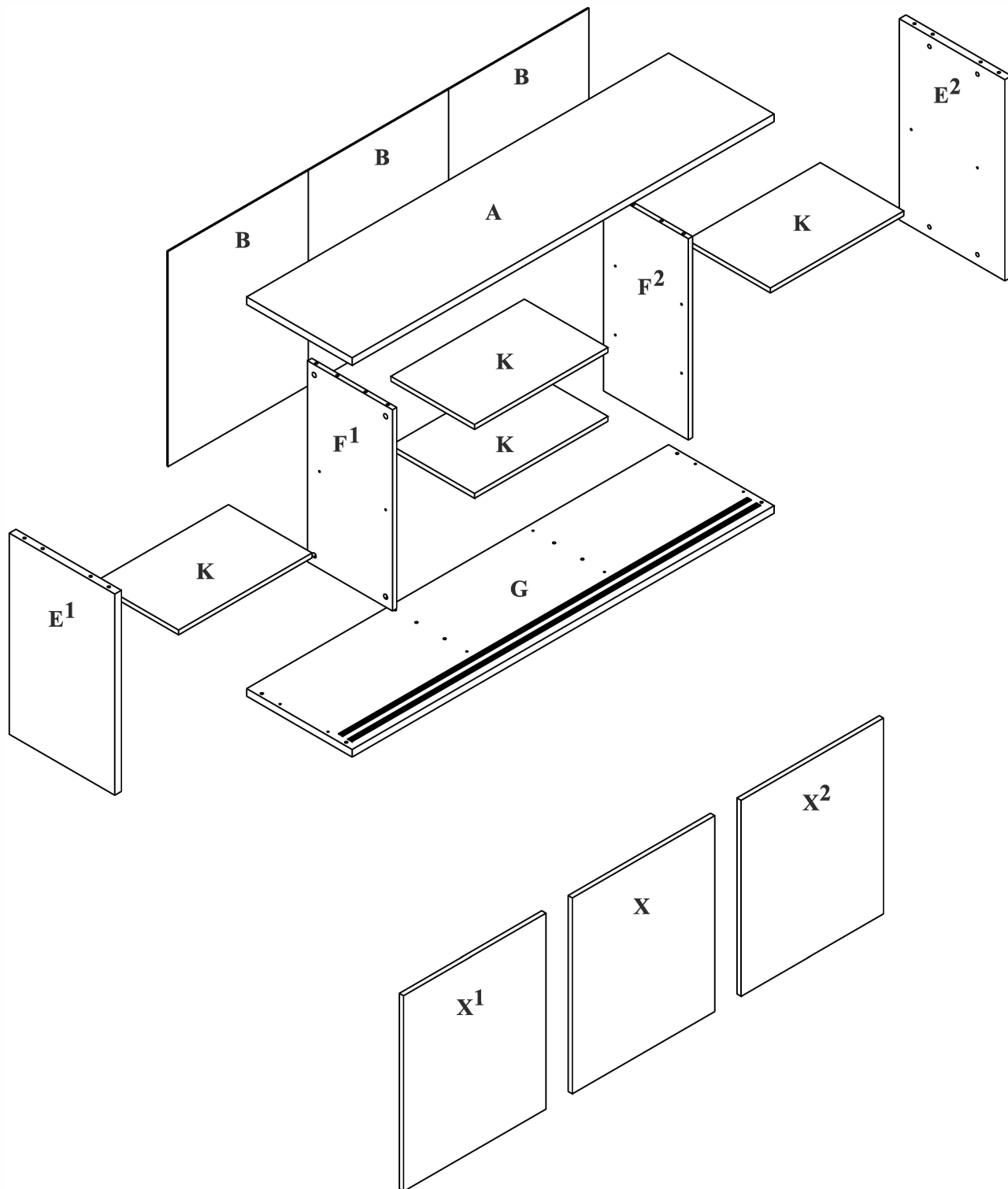


| | | | | | | |
|---|---|---|--|--|---|---|
| 40  x8 | 1  x16 | 2  15x12 x8 | 3  15x16 x8 | 4  8x35 x16 | 9  x16 | 16  x4 |
| 5  x1 | 7  x16 | 6  L=504 x4 | 18  3x16 x12 | 10  x90 | 17  3,5x16 x4 | |
| 11  x6 | 12  x6 | 13  L=1544 x1 | 14  x2 | 15  L=625 x4 | 20  4x16 x18 | |

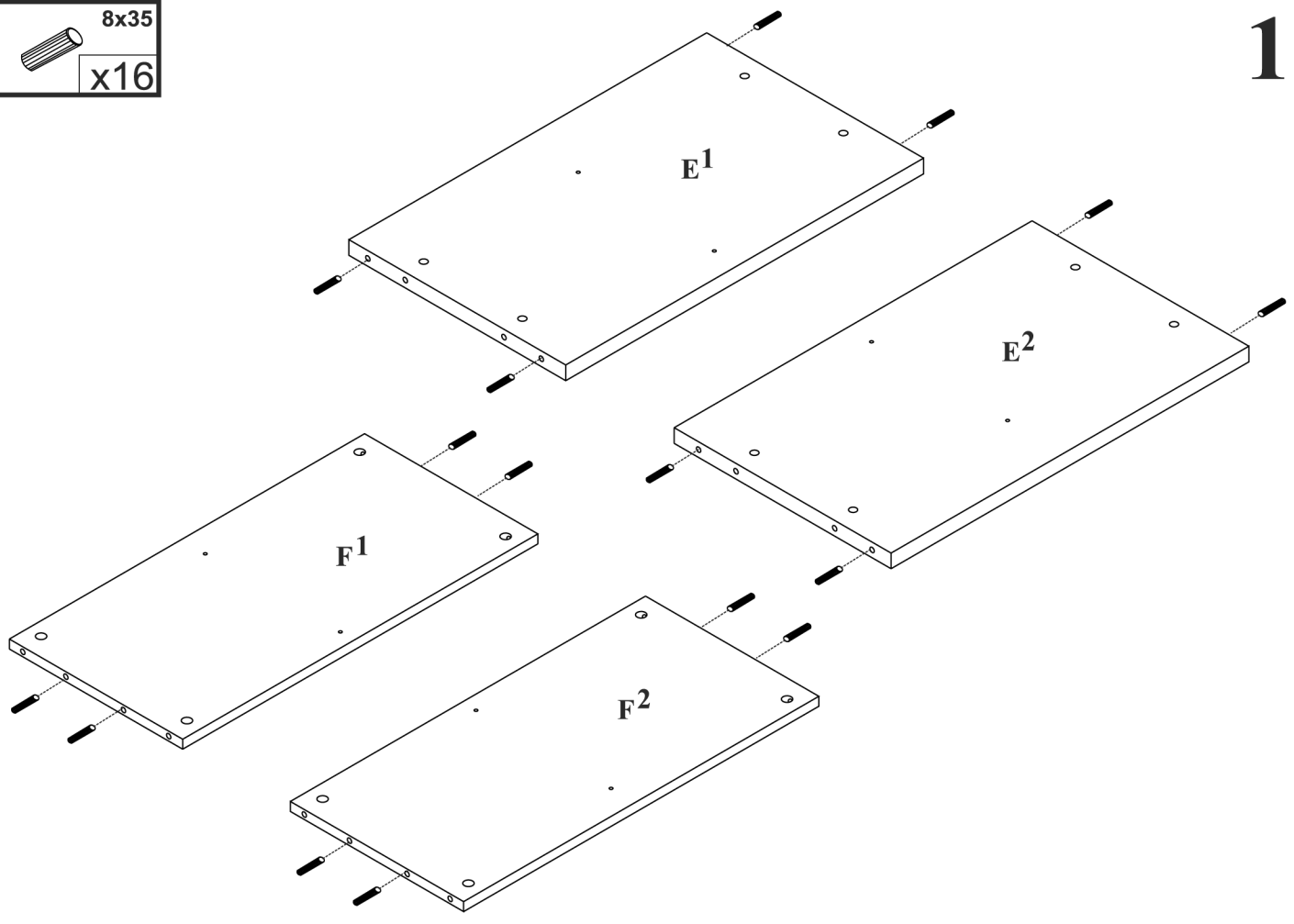
140 min.





4 8x35
x16

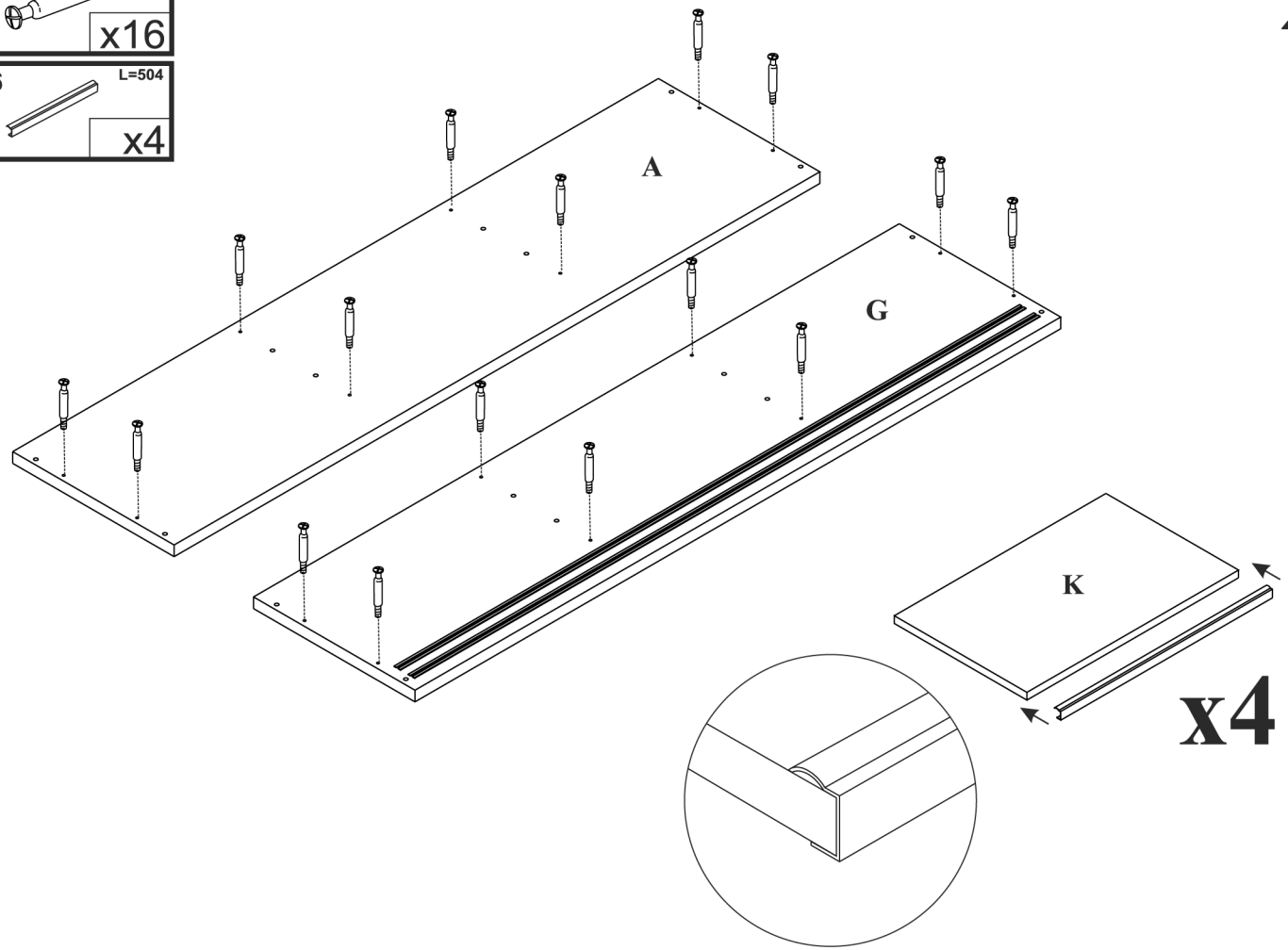
1



1 x16

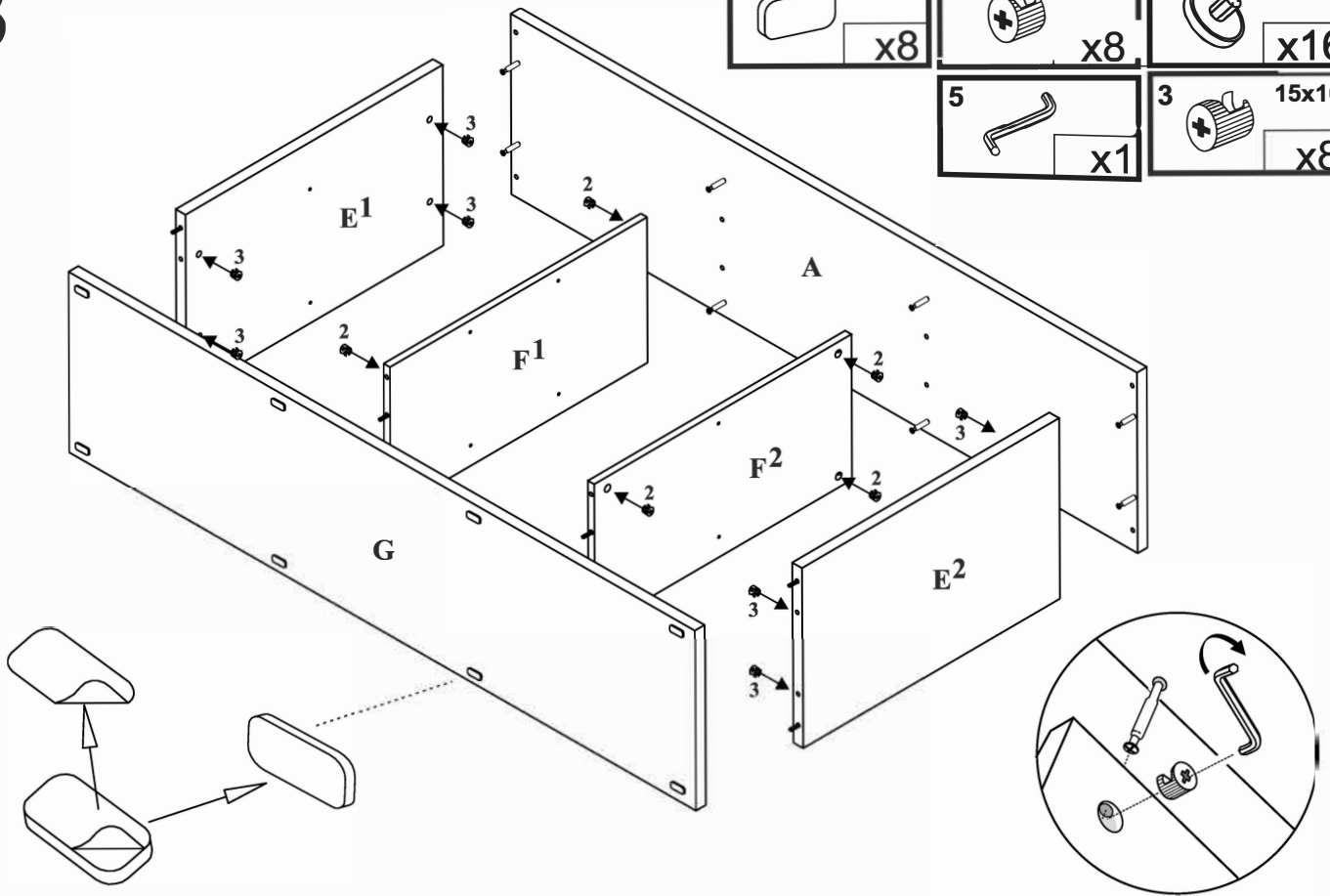
6 L=504
x4

2

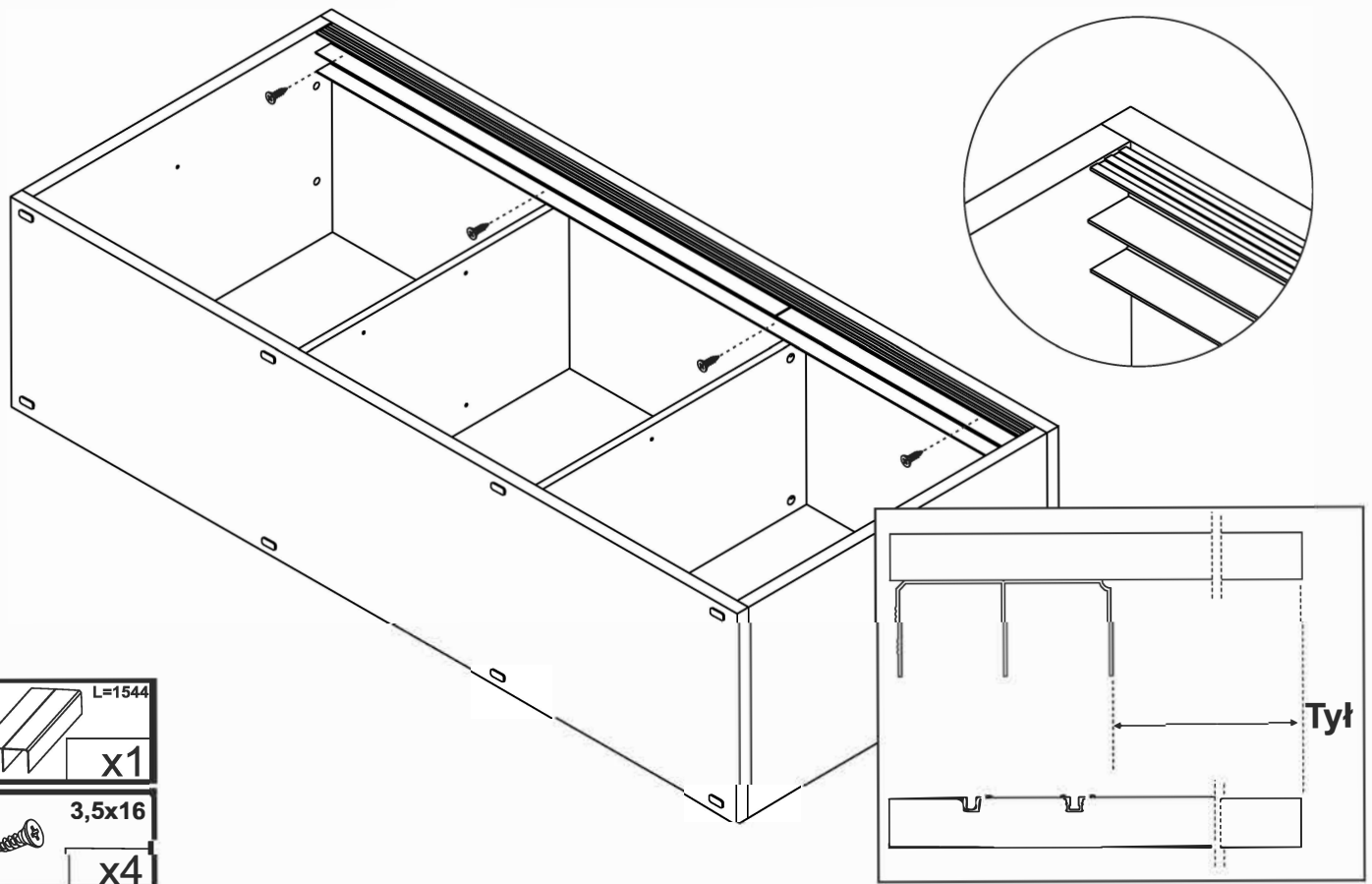


3

- | | | | | | | |
|----|----|---|-------|----|-------|-----|
| 40 | x8 | 2 | 15x12 | x8 | 7 | x16 |
| | | | | | | |
| | | 5 | x1 | 3 | 15x16 | x8 |
| | | | | | | |

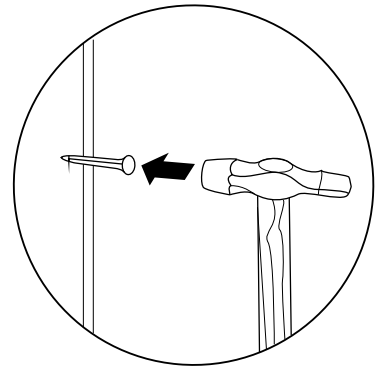
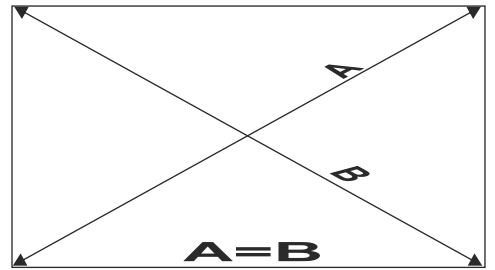
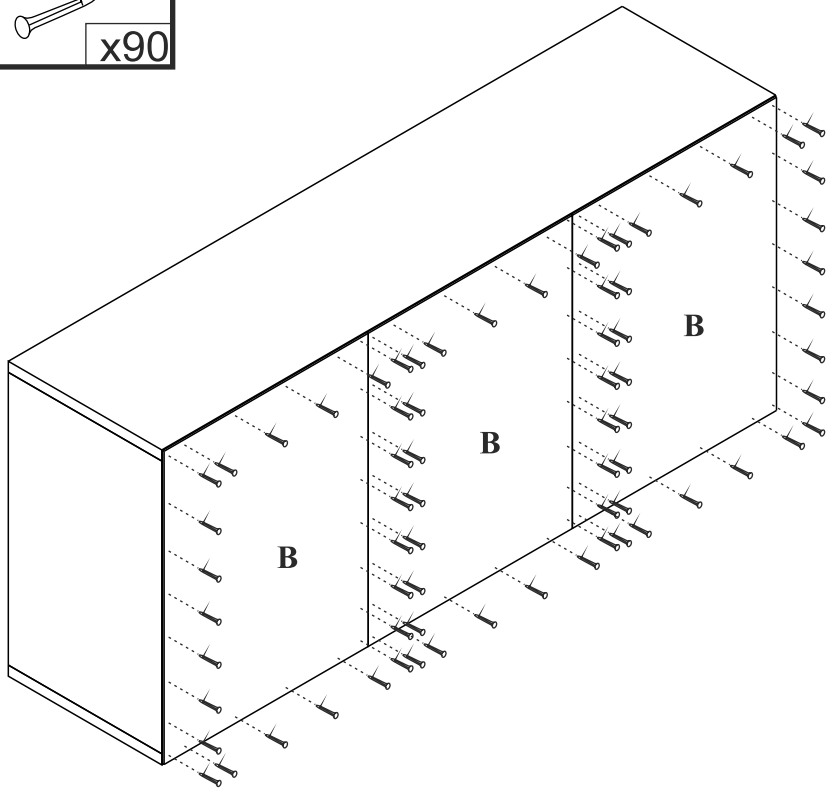


4



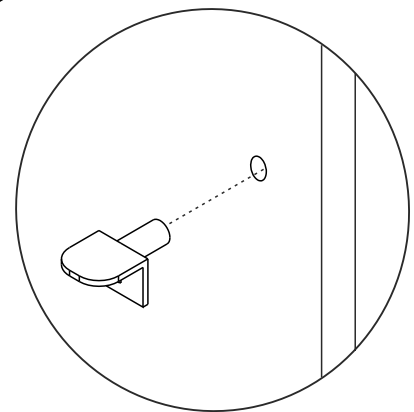
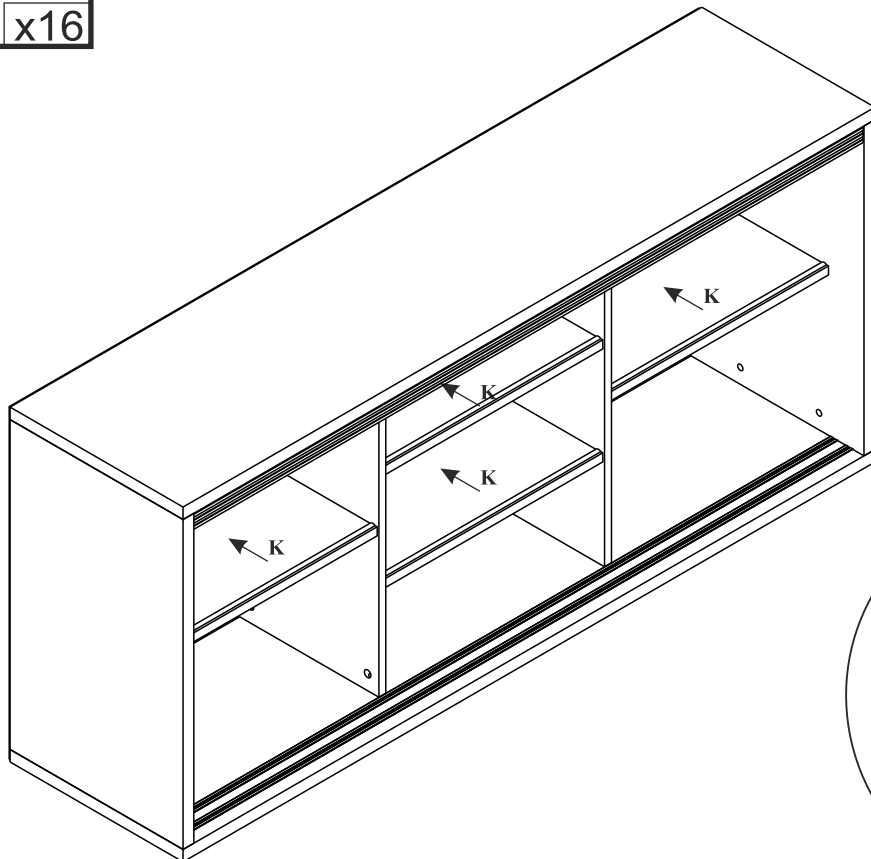
- | | | |
|----|--------|----|
| 13 | L=1544 | x1 |
| | | |
| 17 | 3,5x16 | x4 |
| | | |

10
x90







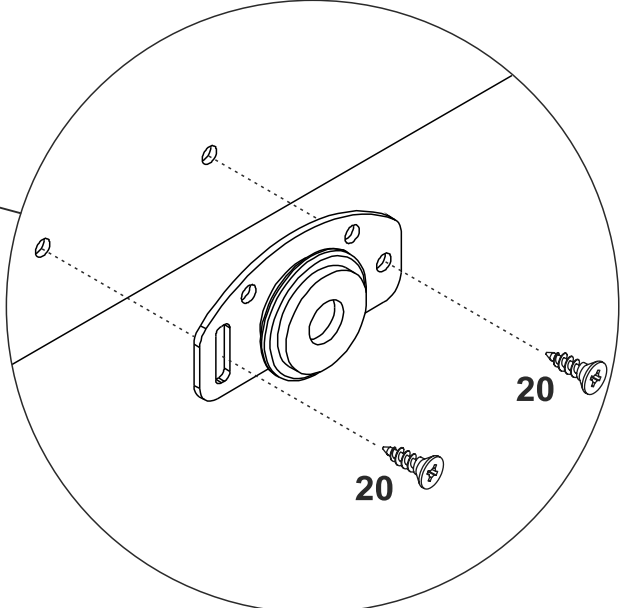
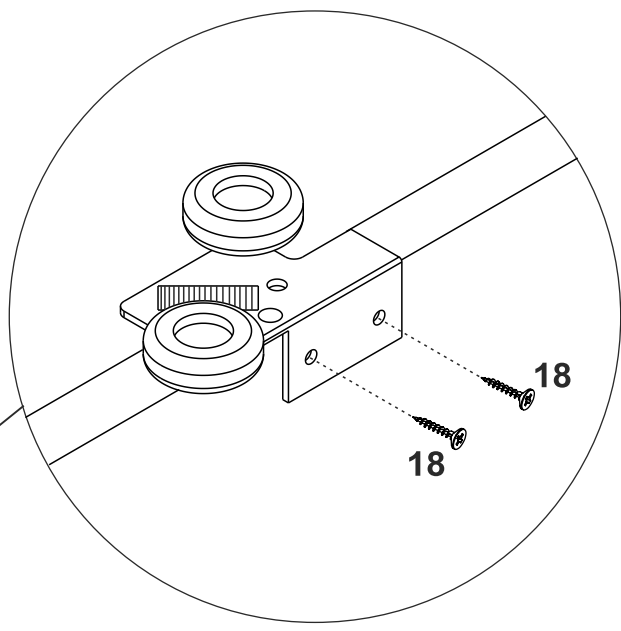
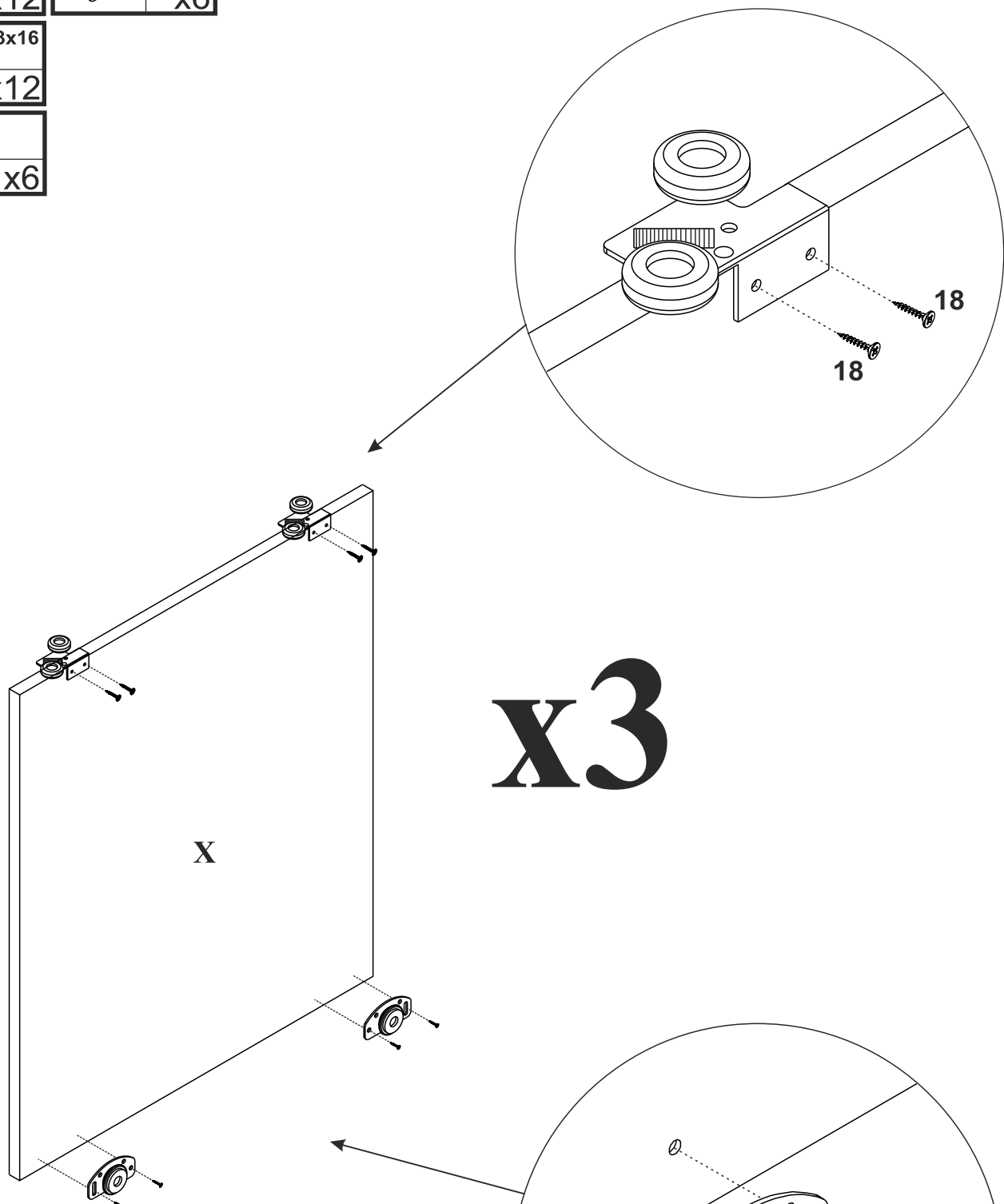
5

9
x16



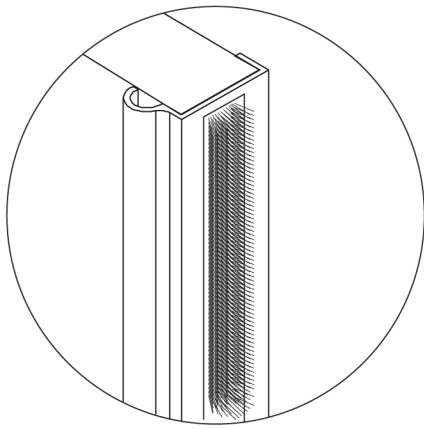
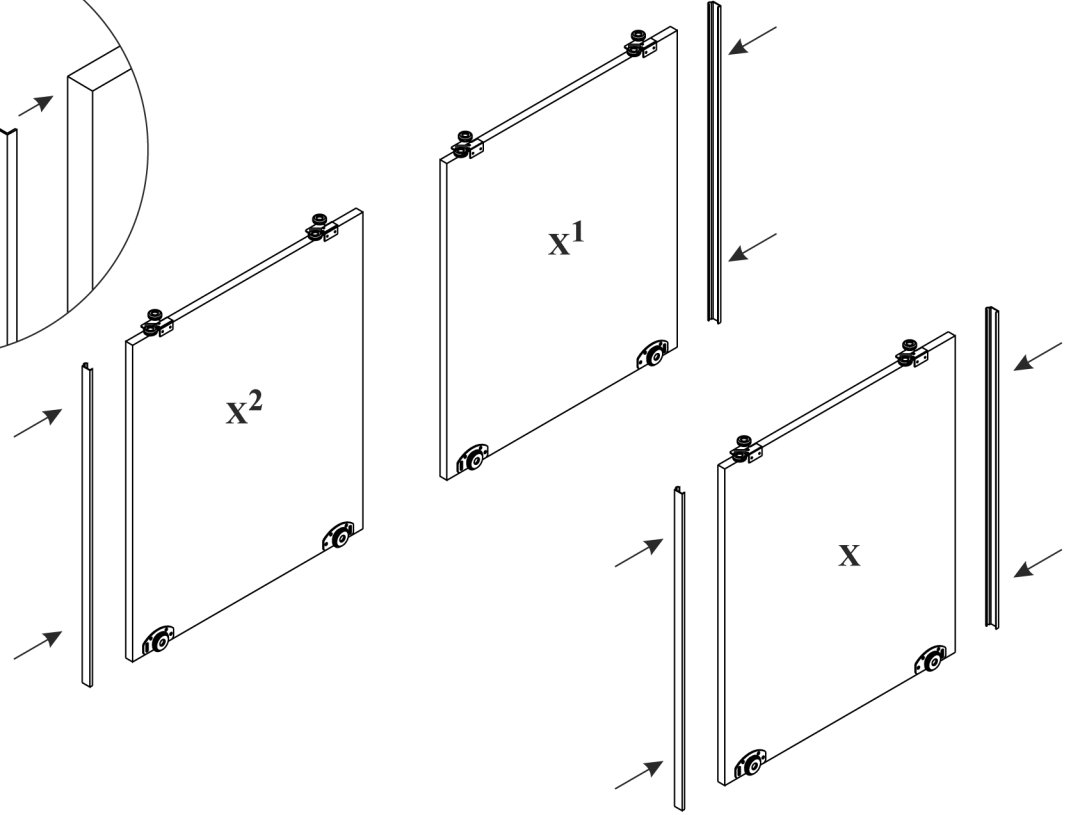
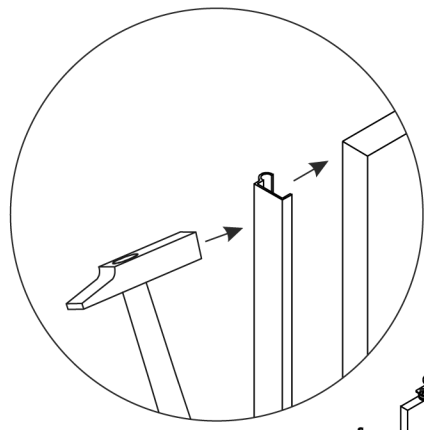
6

- | | | | |
|--|------|--|----|
| 20 | 4x16 | 12 | |
|  | |  | |
| | x12 | | x6 |
-
- | | | | |
|---|------|--|--|
| 18 | 3x16 | | |
|  | | | |
| | x12 | | |
-
- | | | | |
|--|--|--|----|
| 11 | | | |
|  | | | |
| | | | x6 |

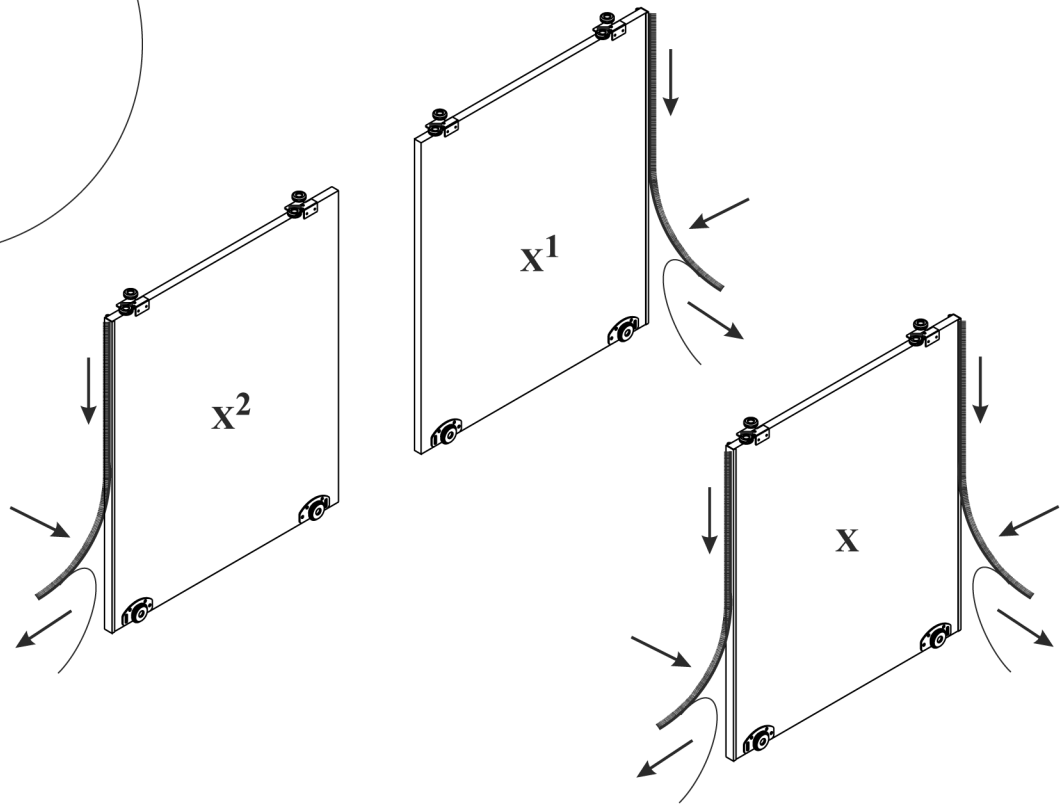


15 L=625
x4

8

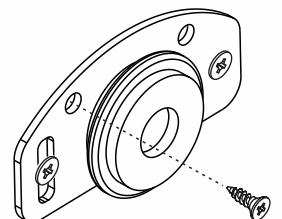
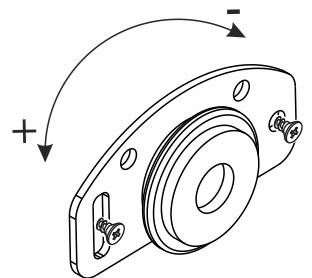
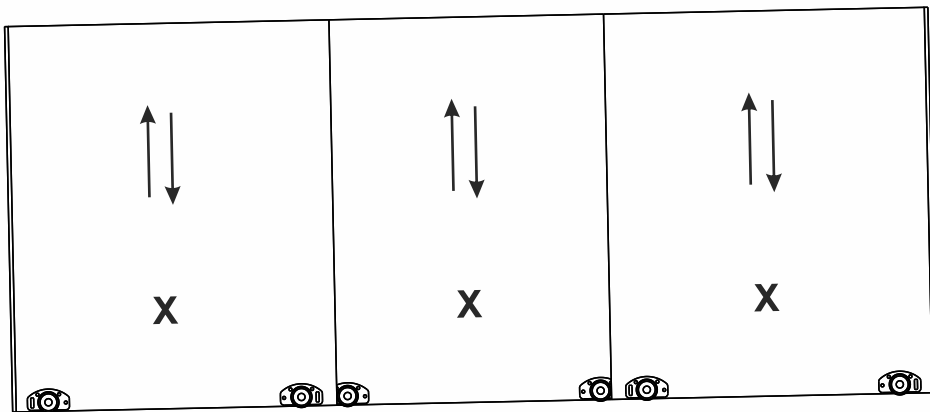
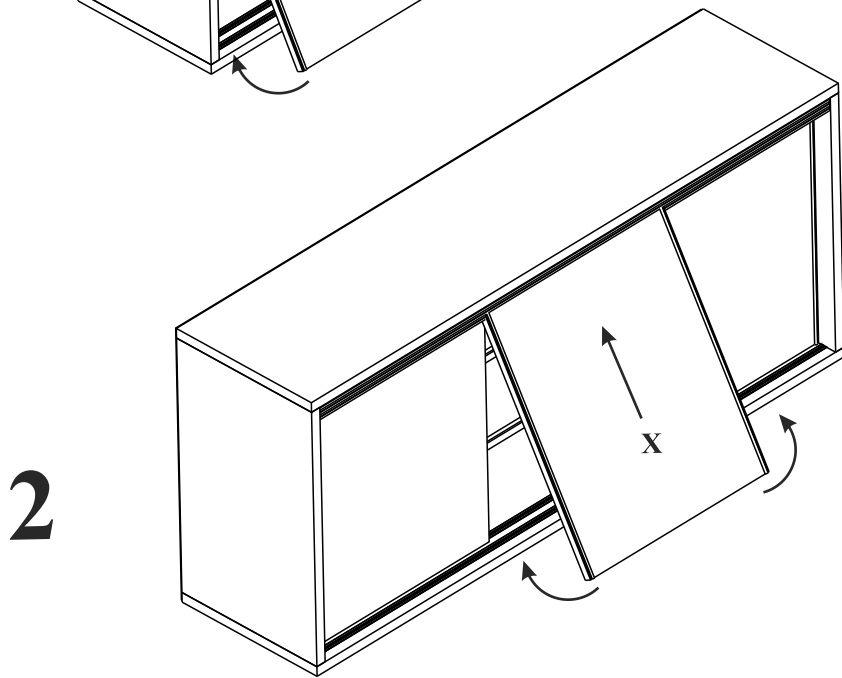
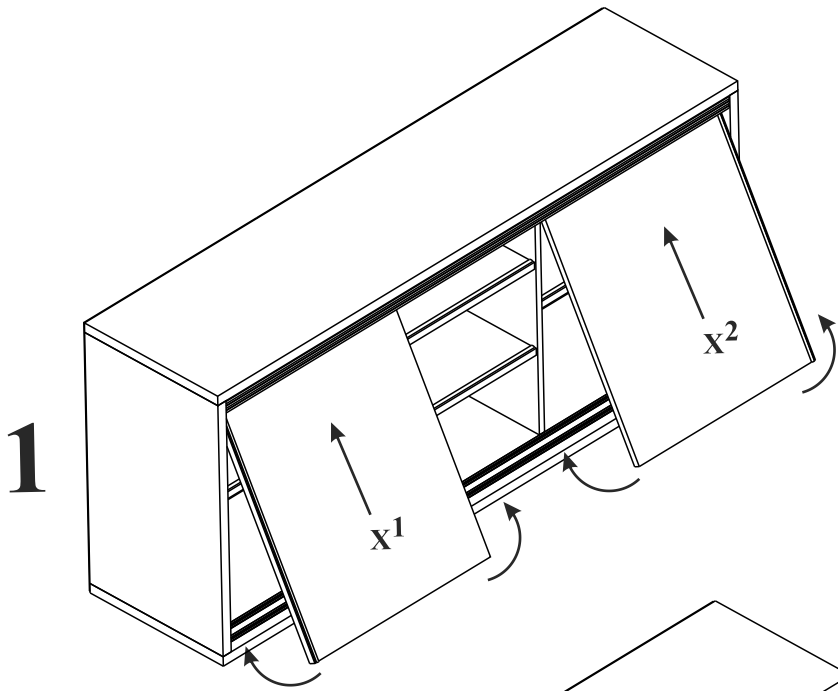


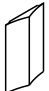
9

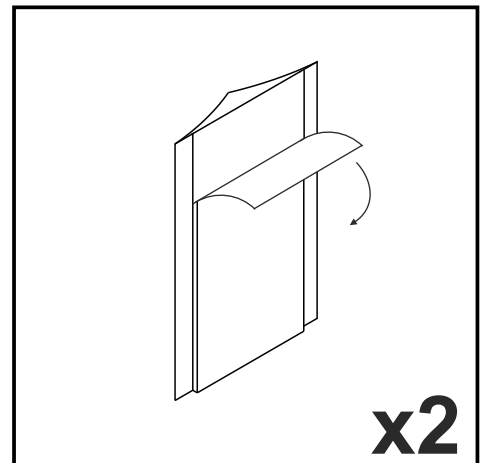
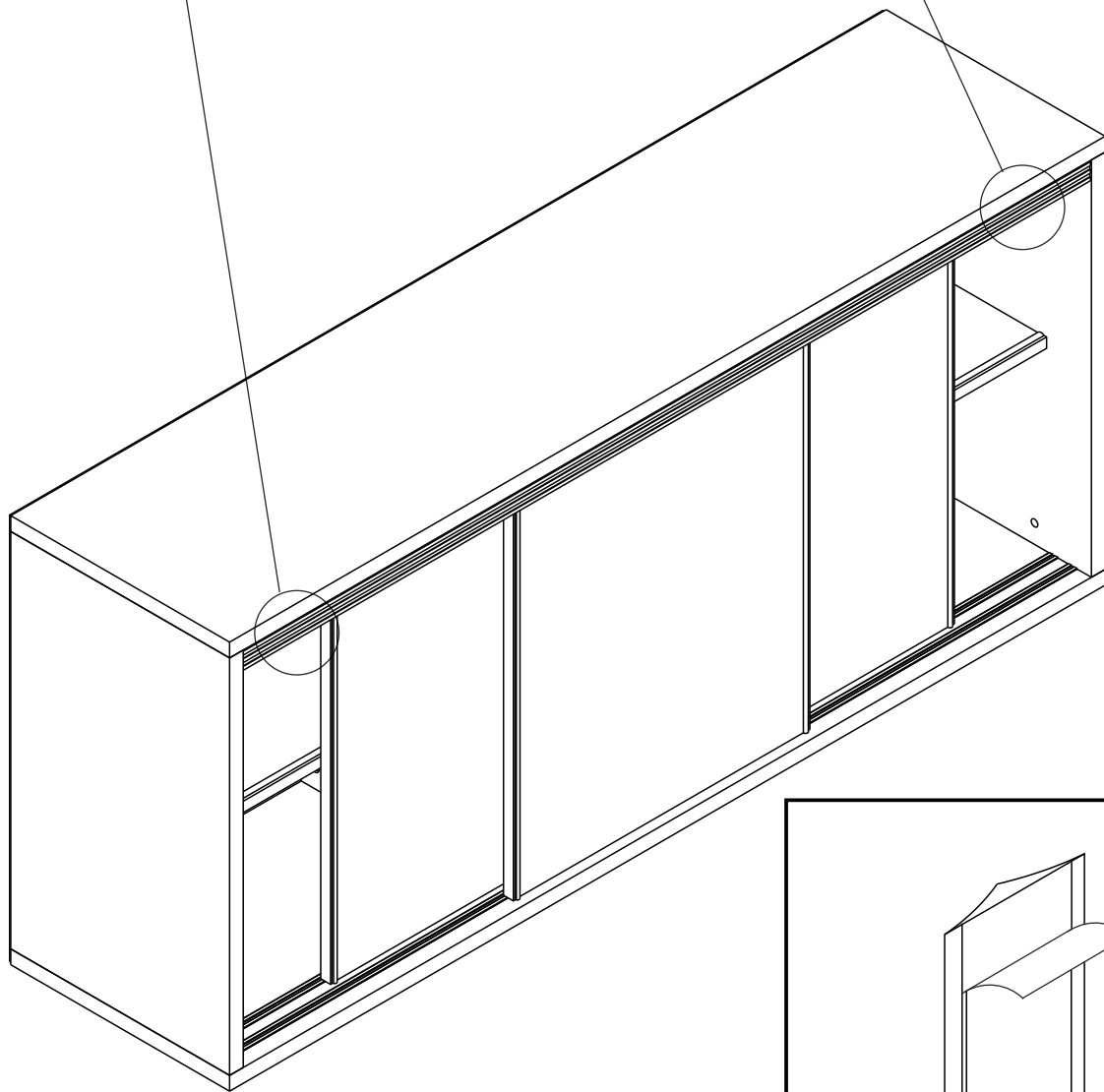
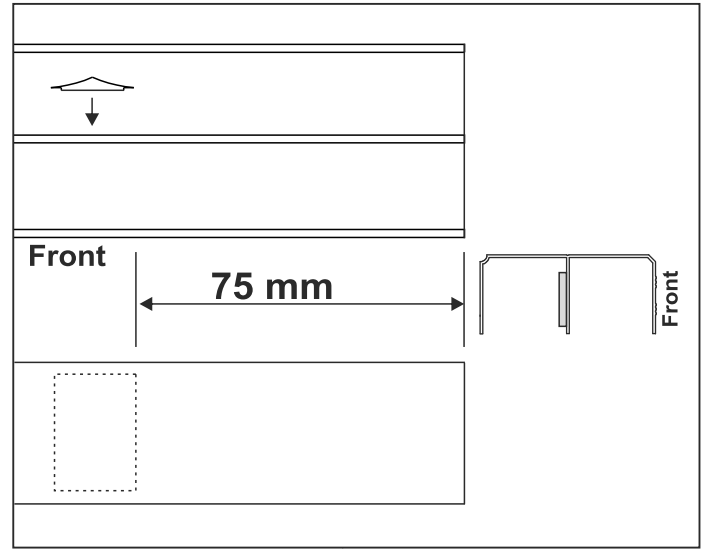
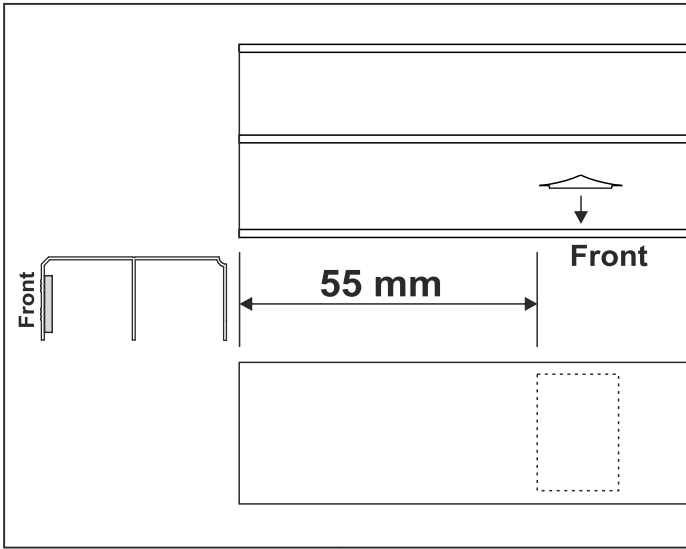


16
x4

20 4x16
x6



14  x2



11

x2