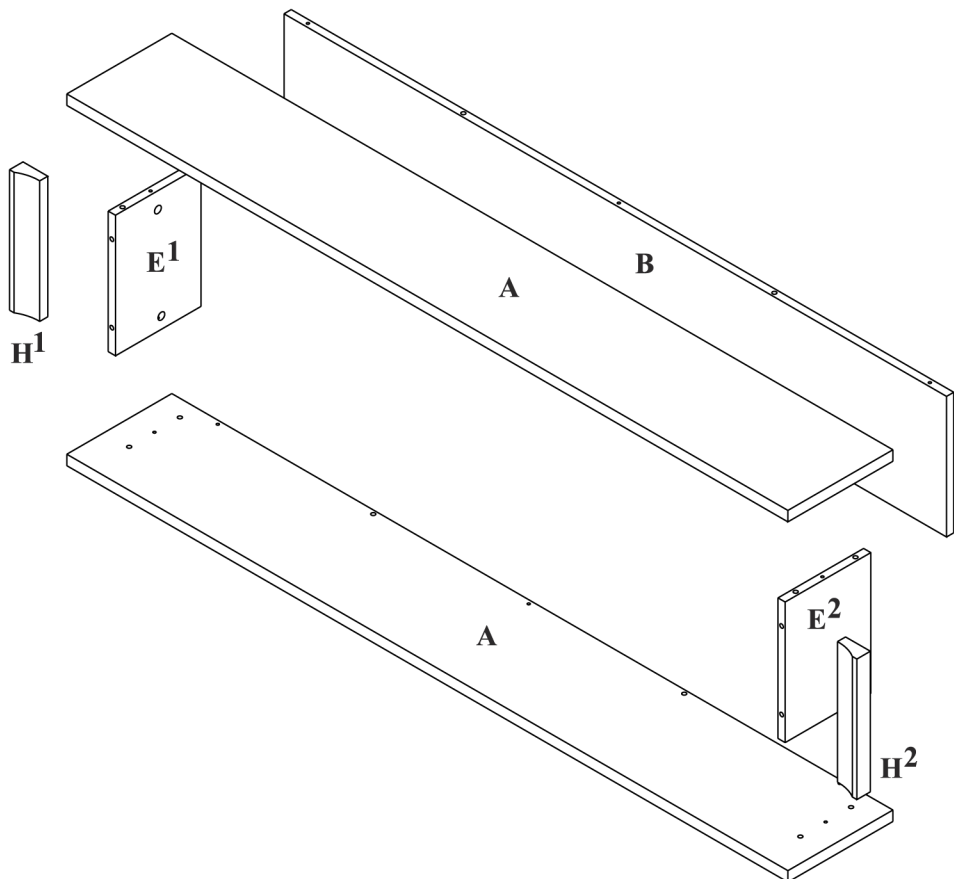
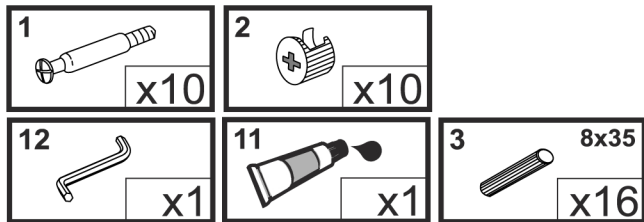
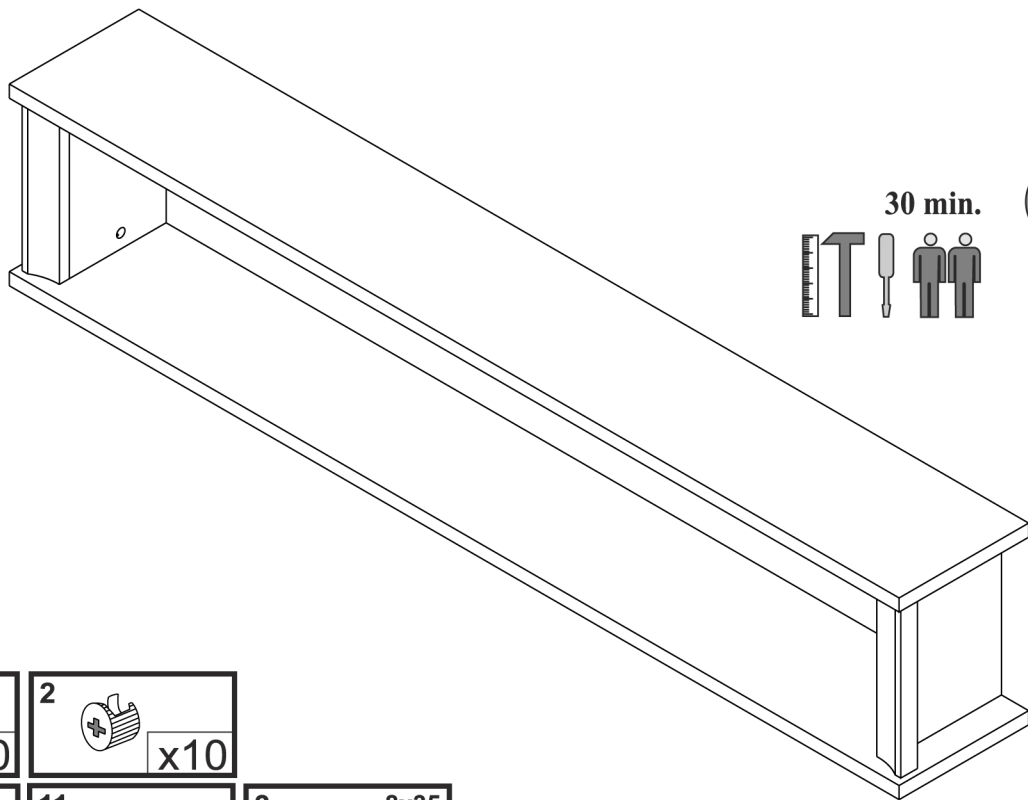
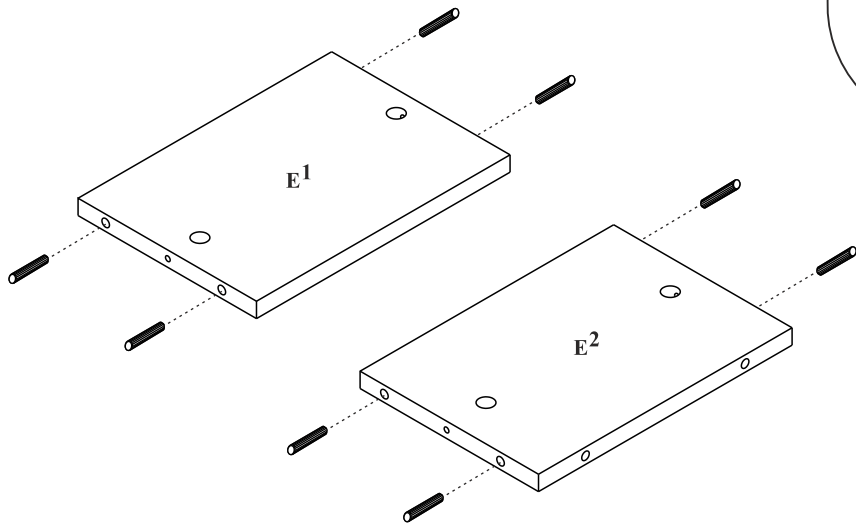

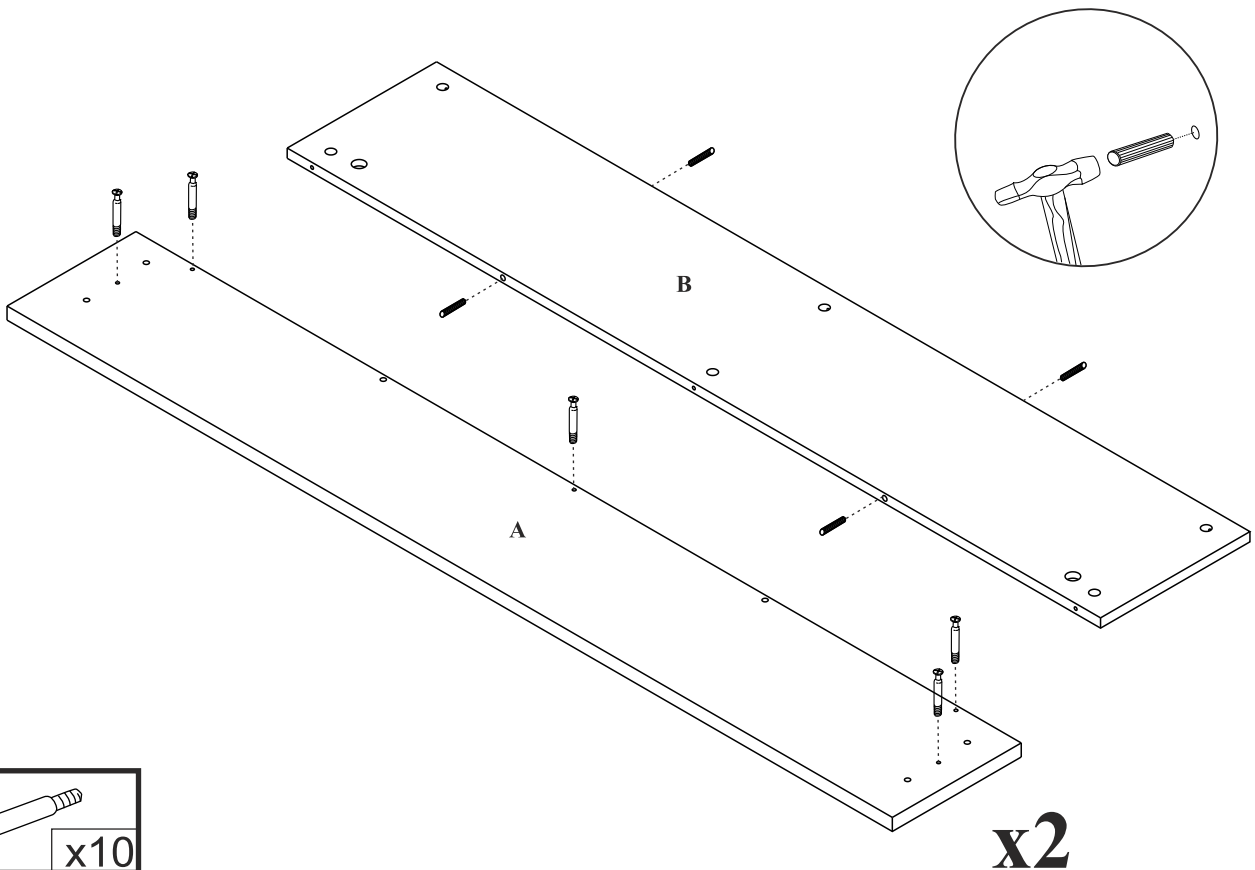


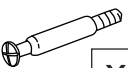
F20






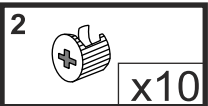
3		8x35
		x8



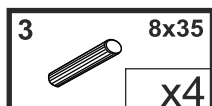
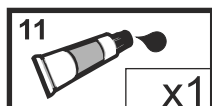
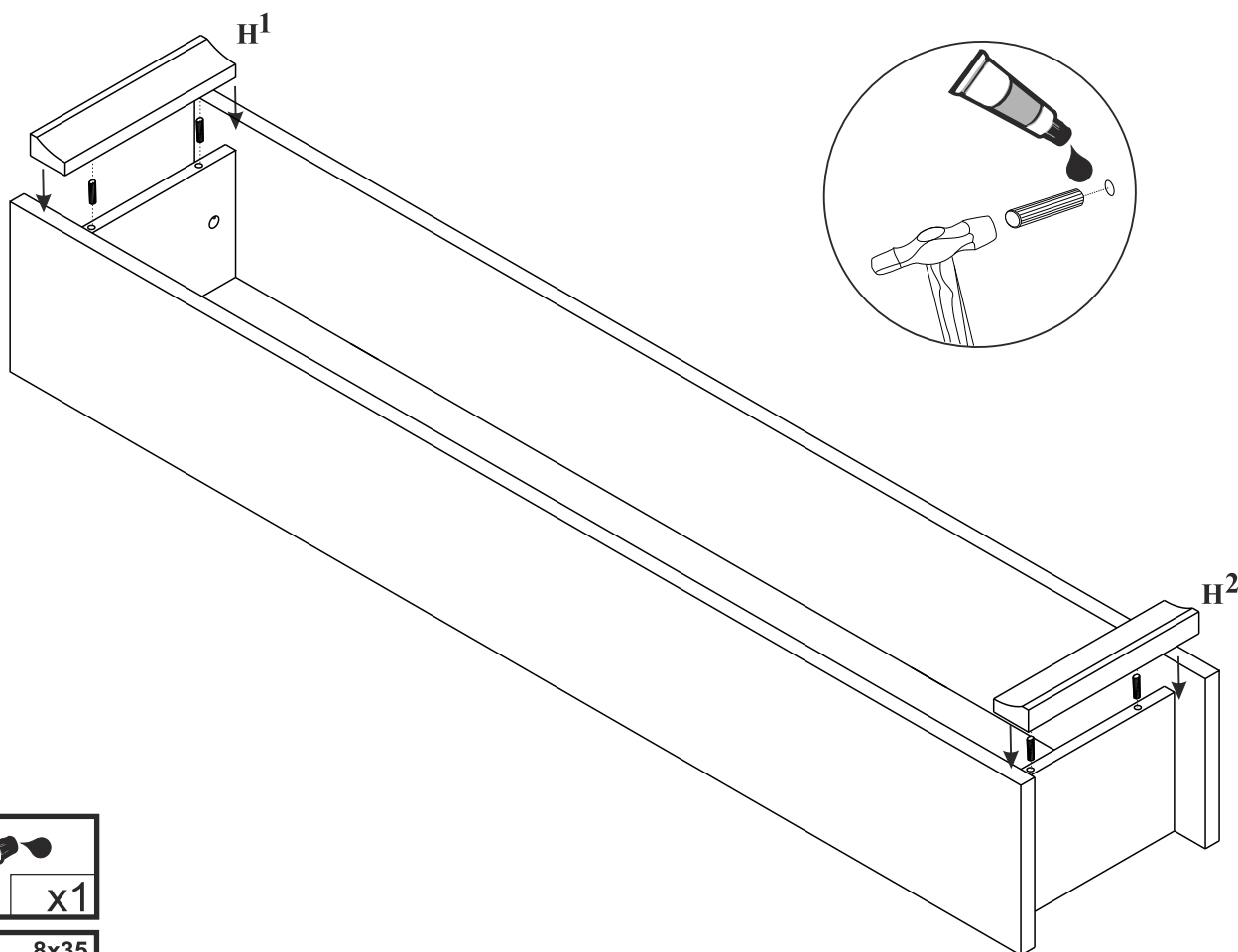
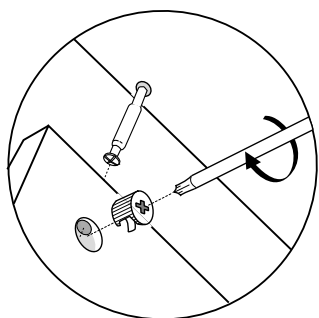
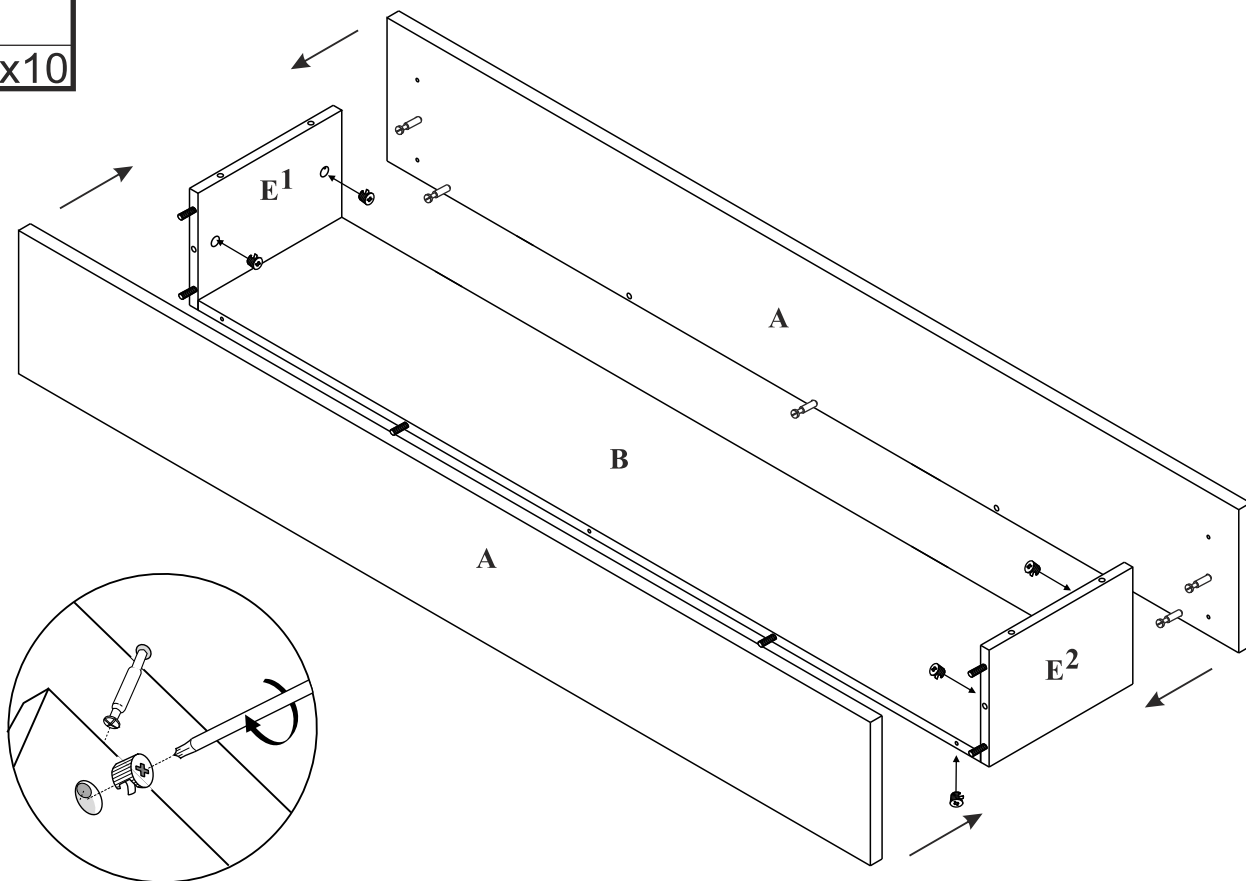
1		x10
---	---	-----

3		8x35
		x4

x2



3



4