
















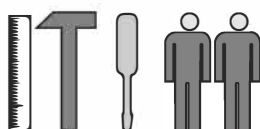
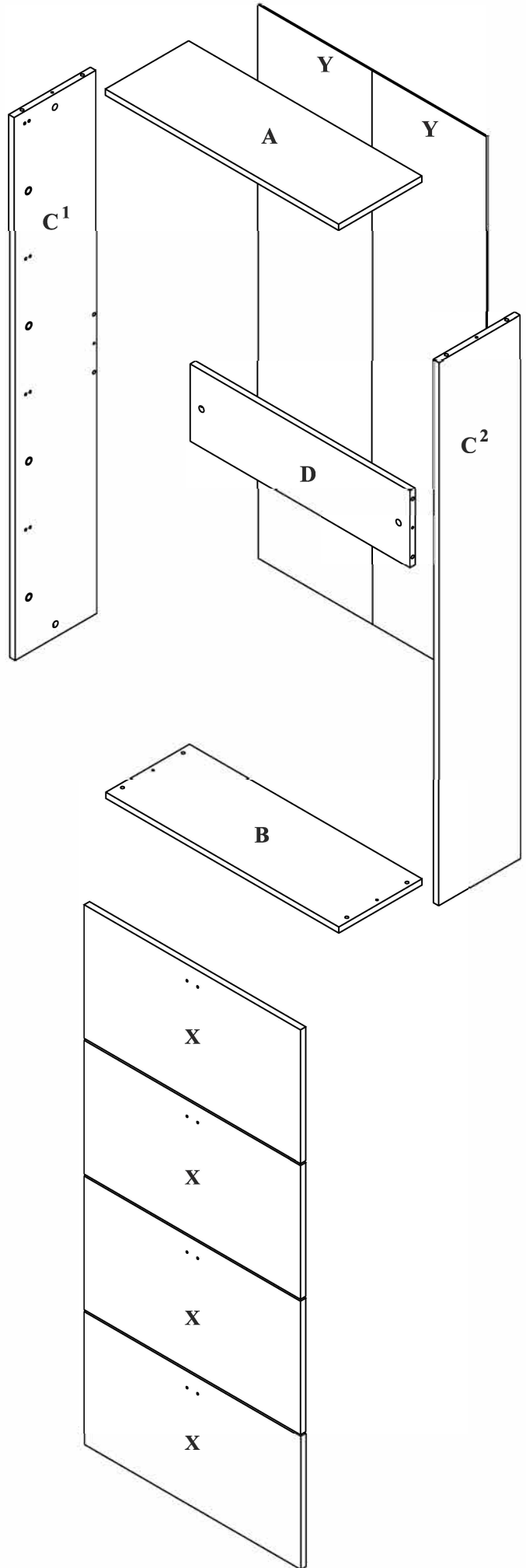
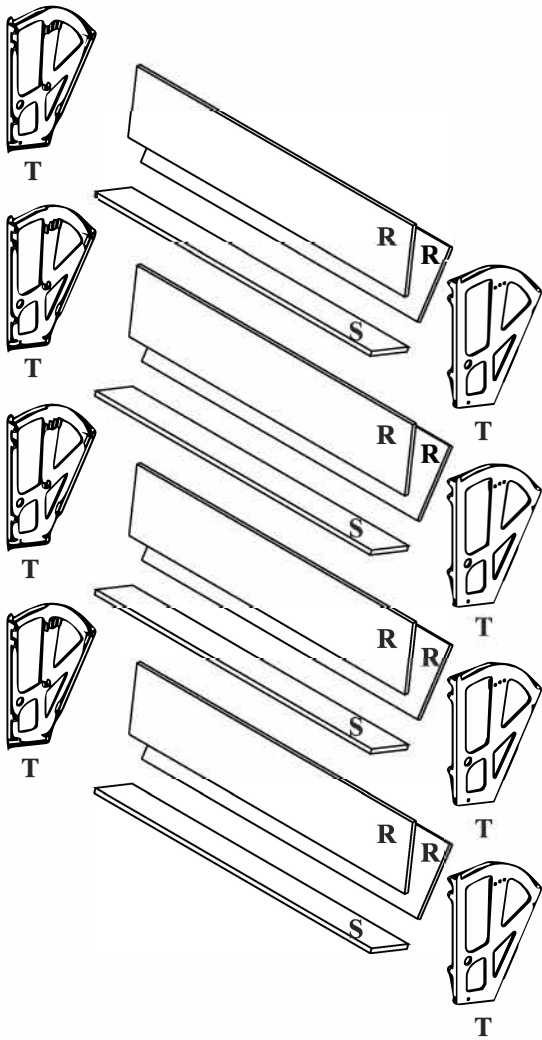

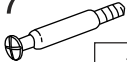




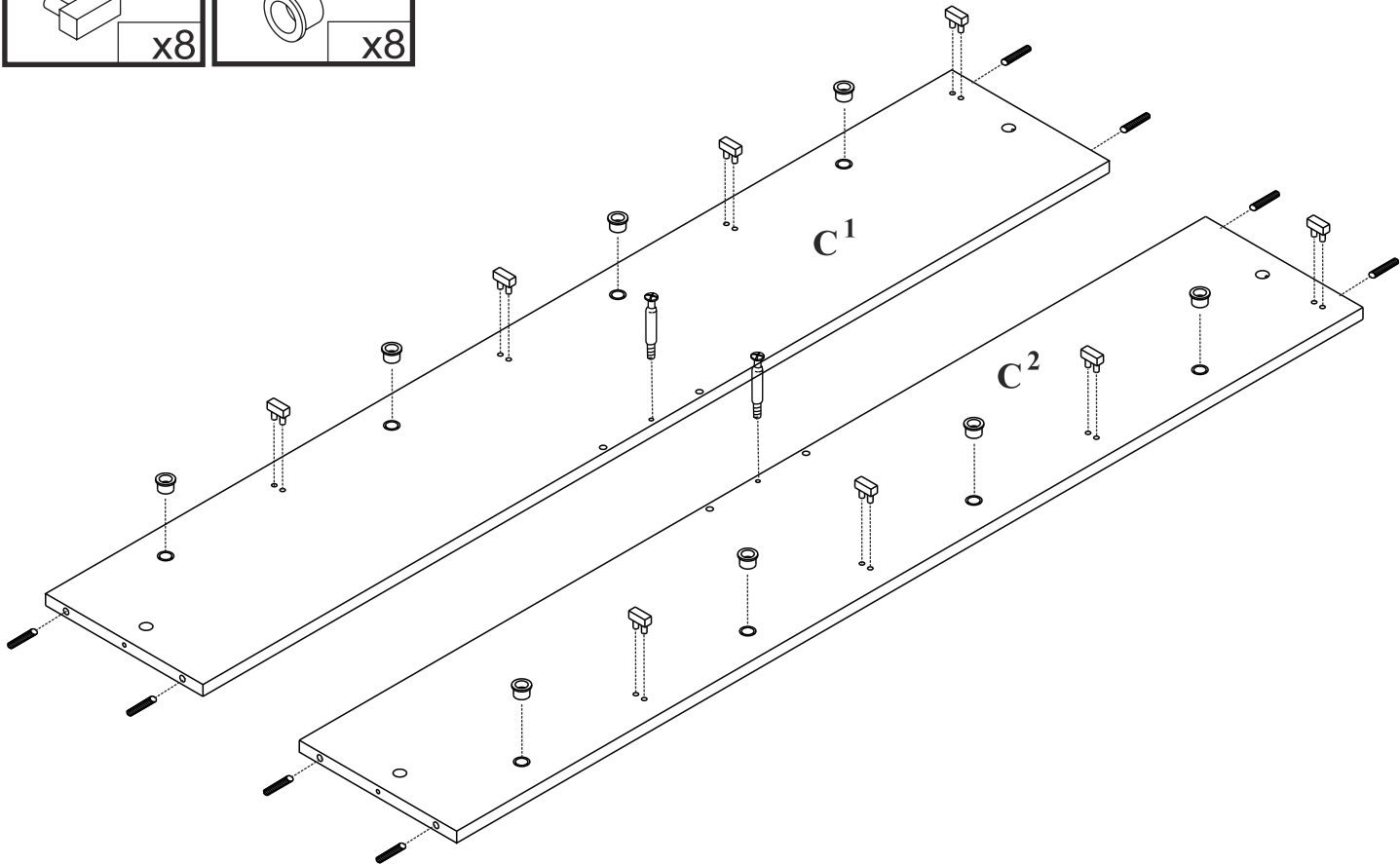
1  8x35 x12	7  4x28 x8	3  x6	4  x1	18  15x12 x2	2  x4
16  x4	8  x50	9  3,5x16 x24	10  4x16 x24	11  x8	12  x8
13  x8	14  x1	15  6x16 x8	17  x6	19  15x16 x4	


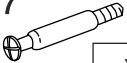
90 min.

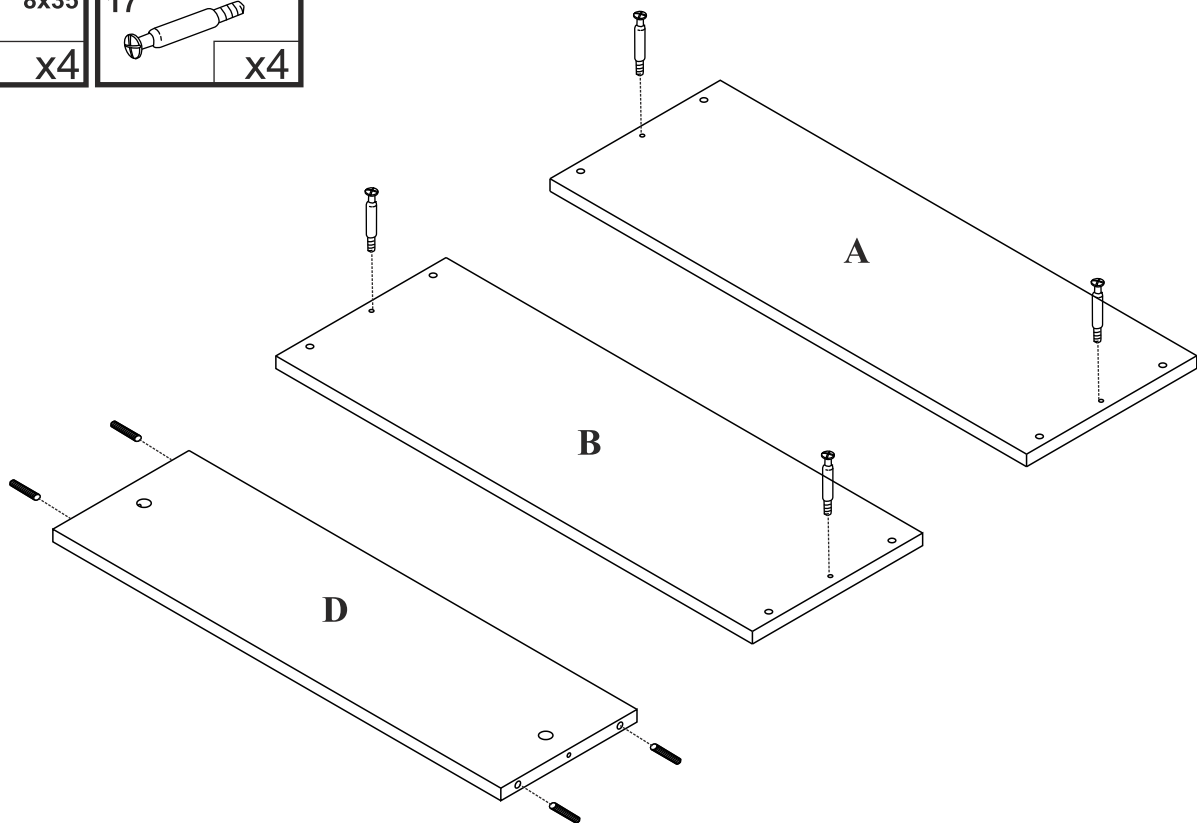


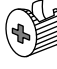




1	8x35	17
	x8	
13		11
	x8	

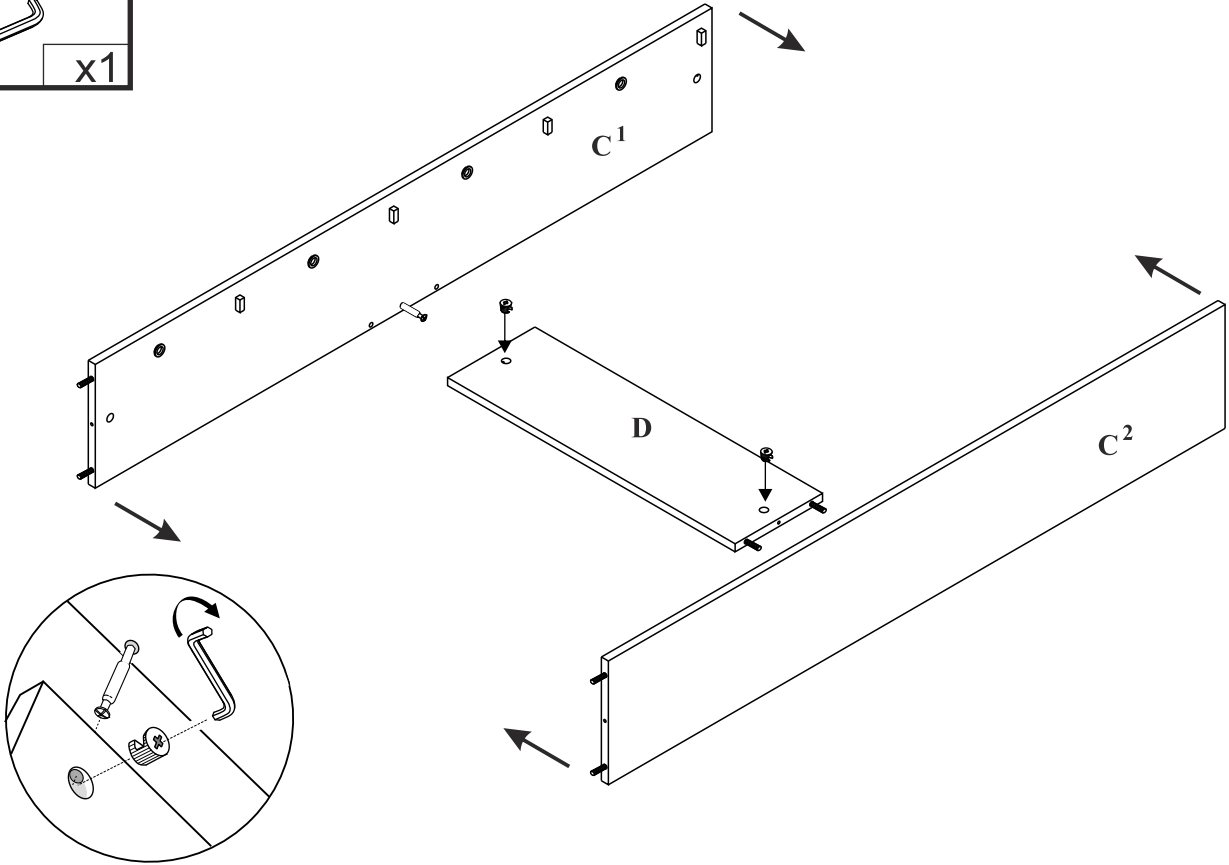




1	8x35	17
	x4	



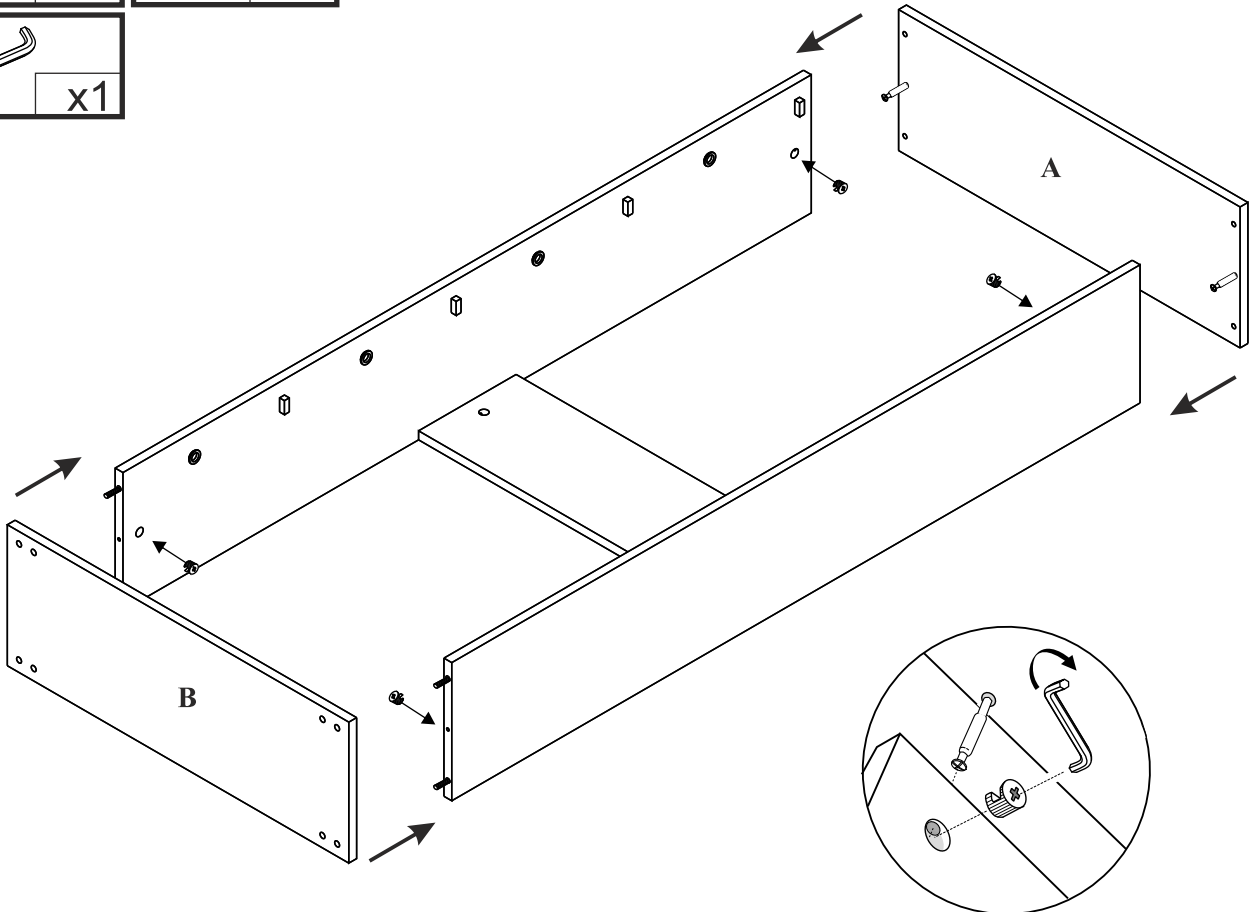
18	15x12	3	
	x2		x2

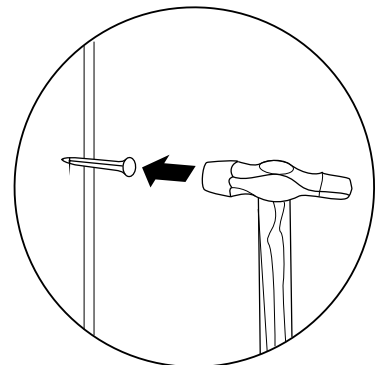
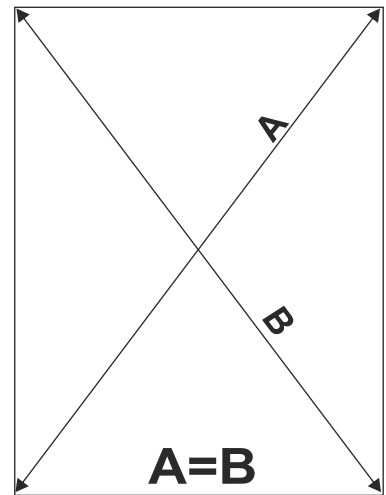
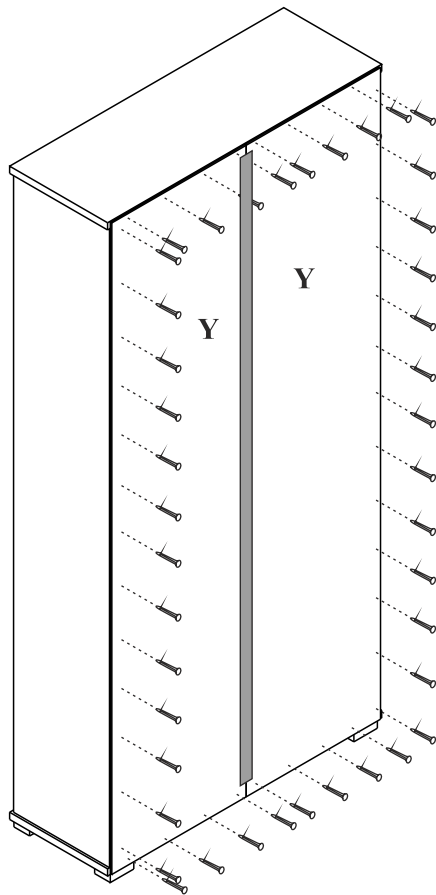
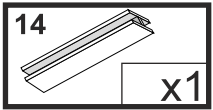
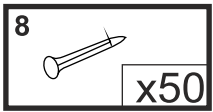
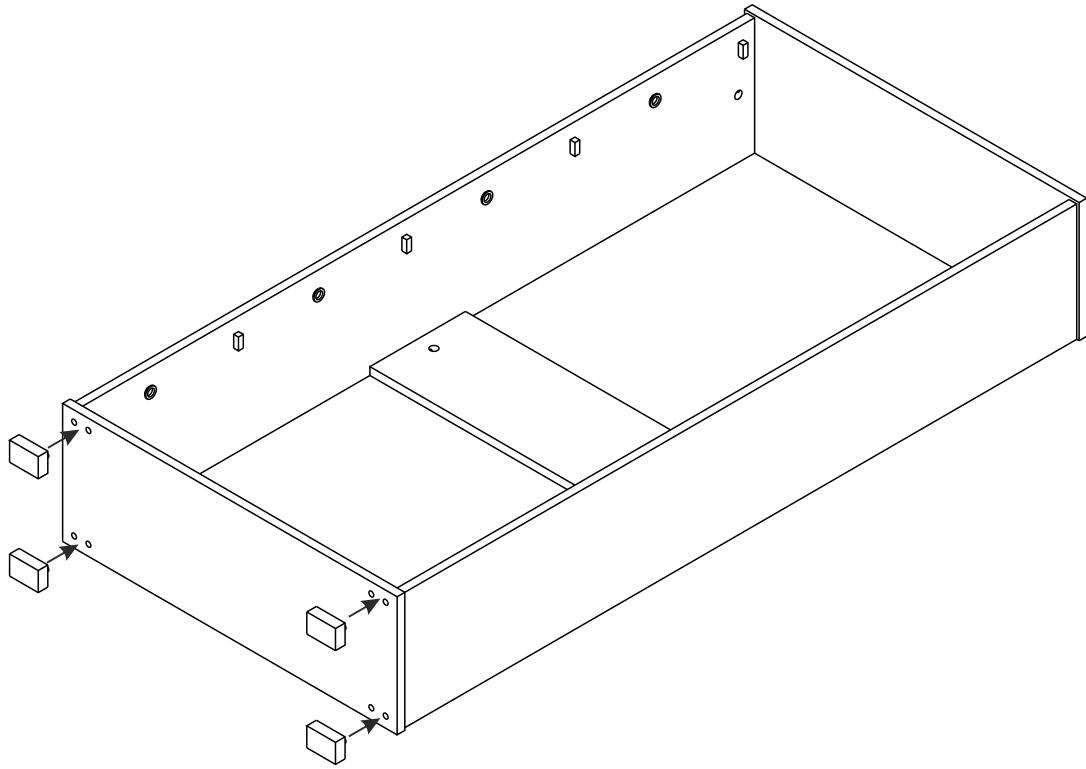
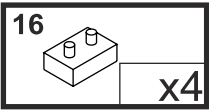
4	
	x1

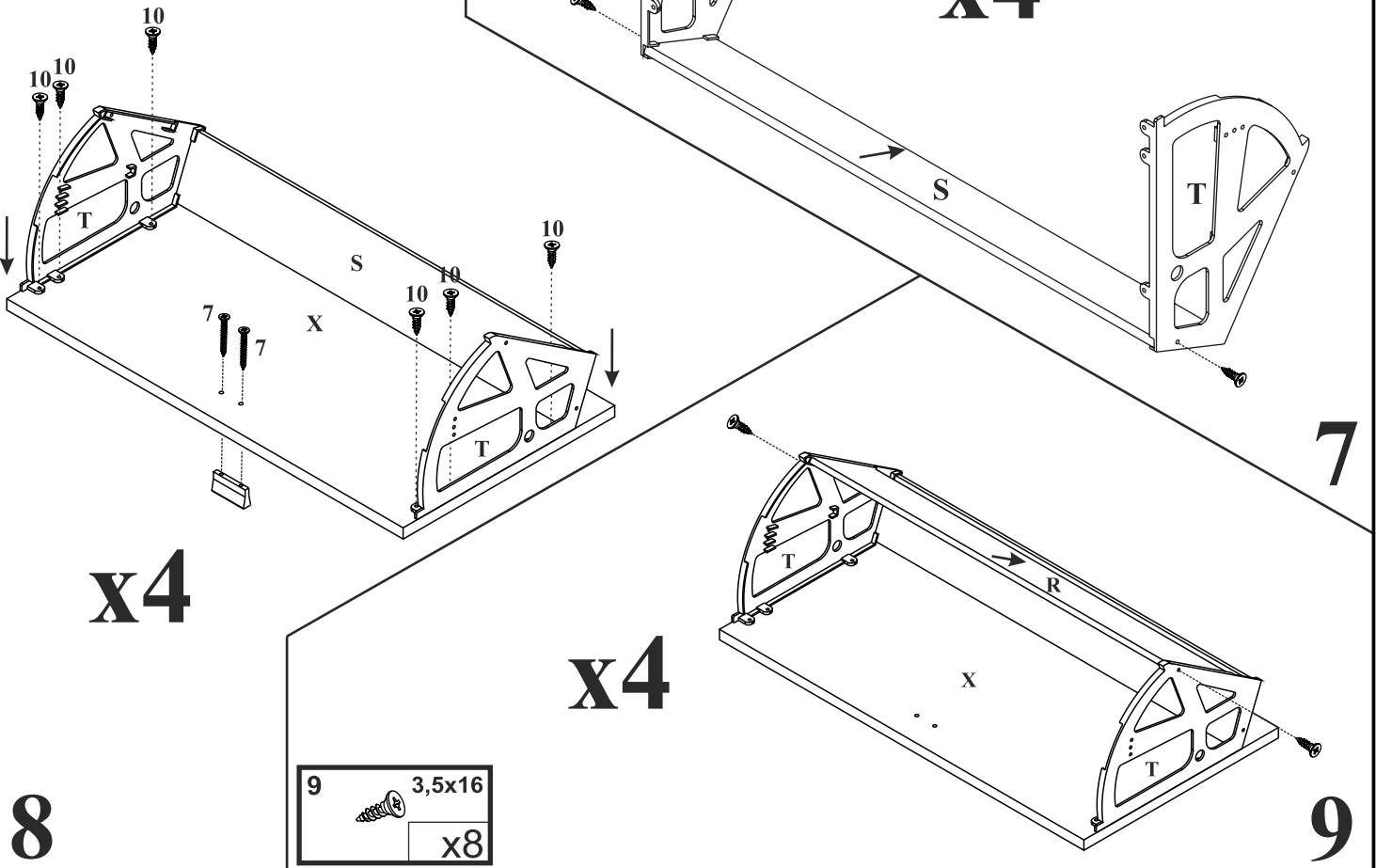
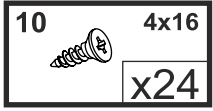
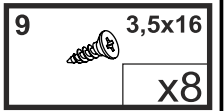
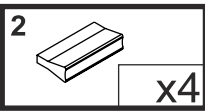
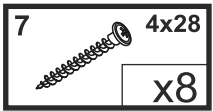


19	15x16	3	
	x4		x4

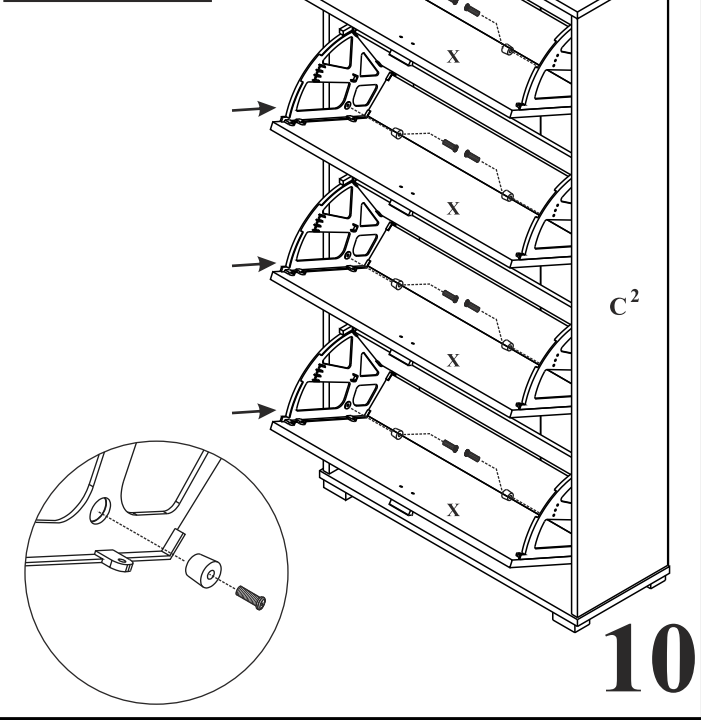
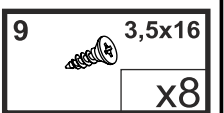
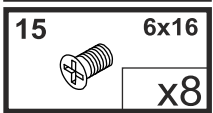
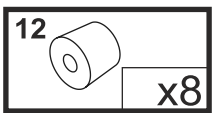
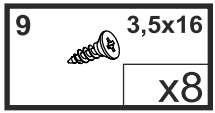
4	
	x1



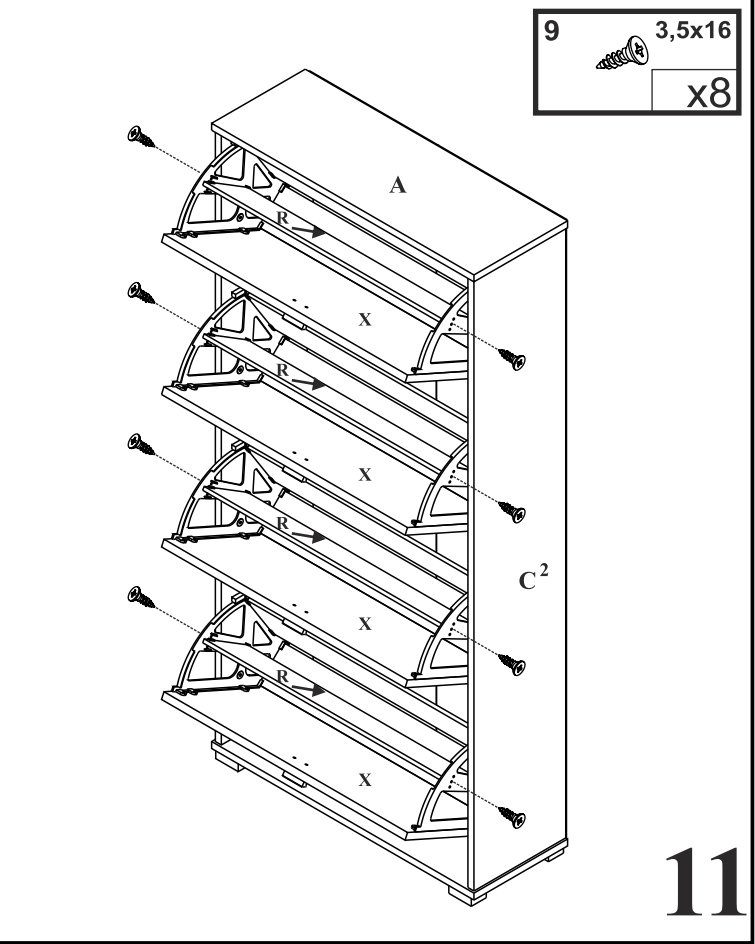




8



10



11