
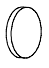
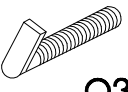

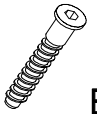
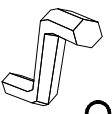
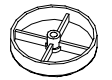
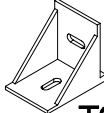
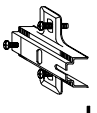
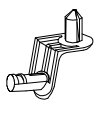
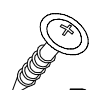


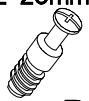

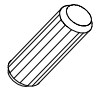
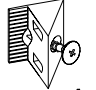
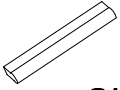

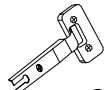
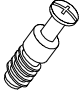
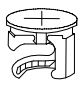
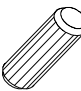
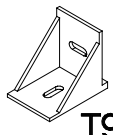

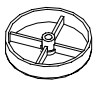

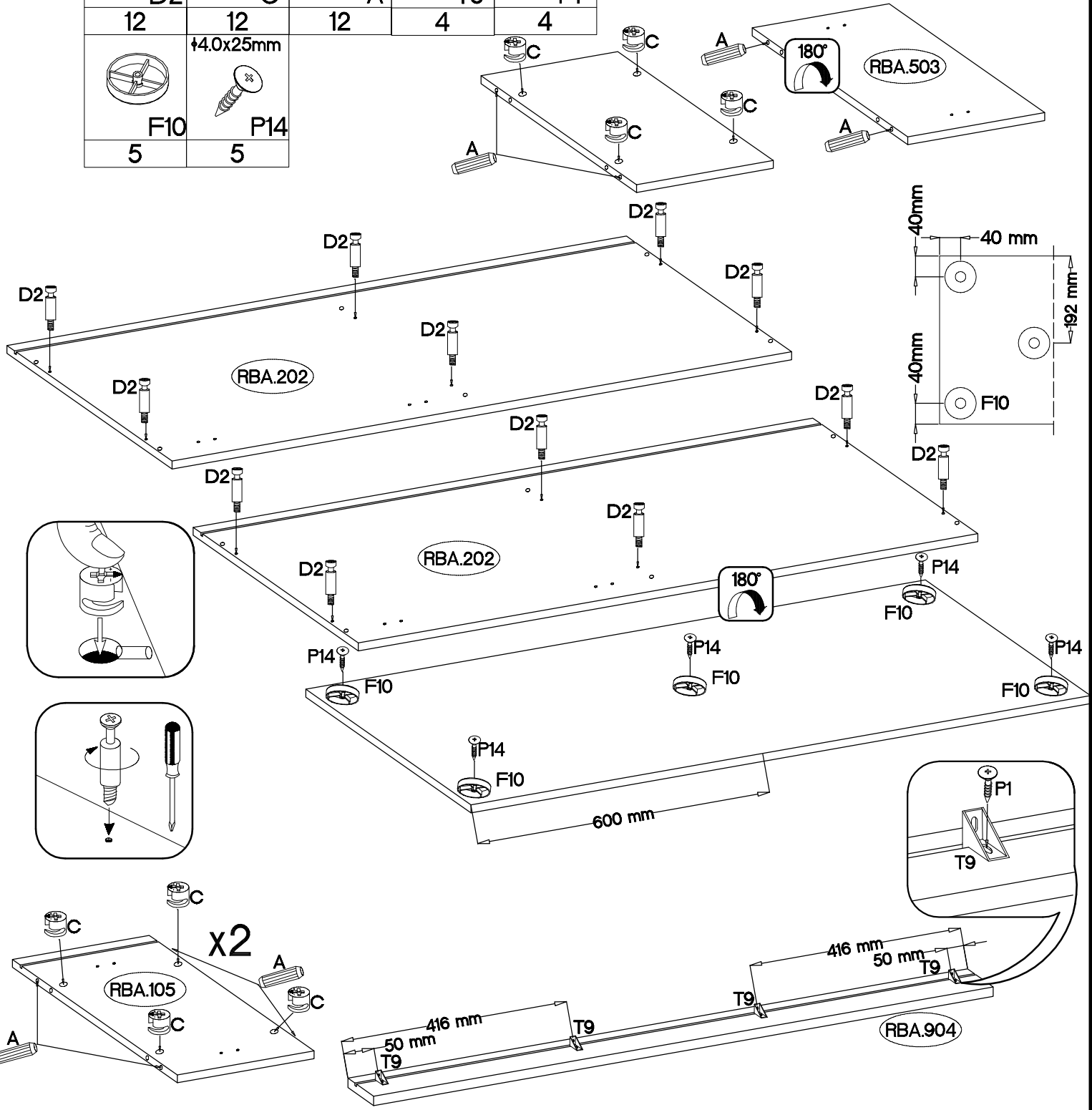

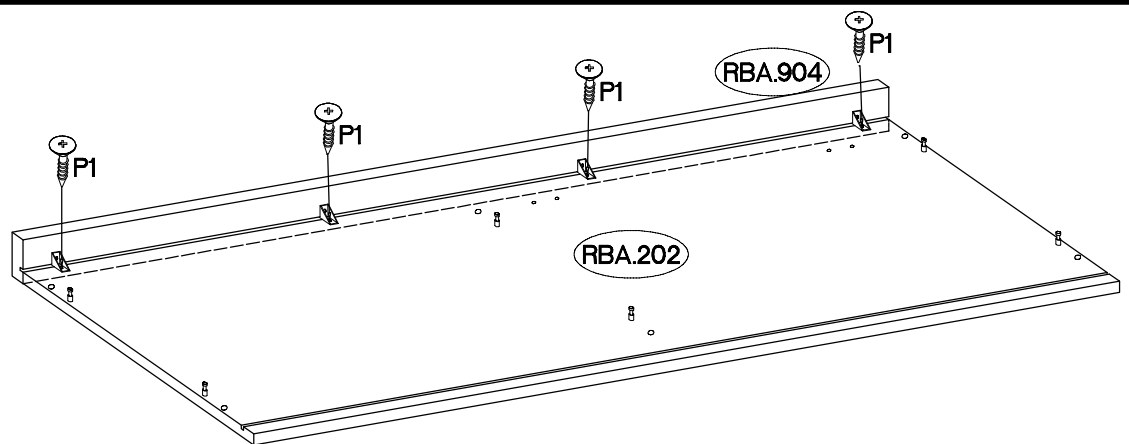

12									4
									
2									2
5/45mm	†10x50mm							6,4 x 50mm	
									
2	2							5	1
	†4.0x25mm	†3.5x13mm			†3.0x16mm				
5	5	7			3	8	2	4	
†4.0x30mm	†4.0x16mm	†3.0x20mm	L=20mm	†15/12mm	†8x30mm	L=128mm		†35/0mm	
									
2	16	2	12	12	12	5	1	1	2

1

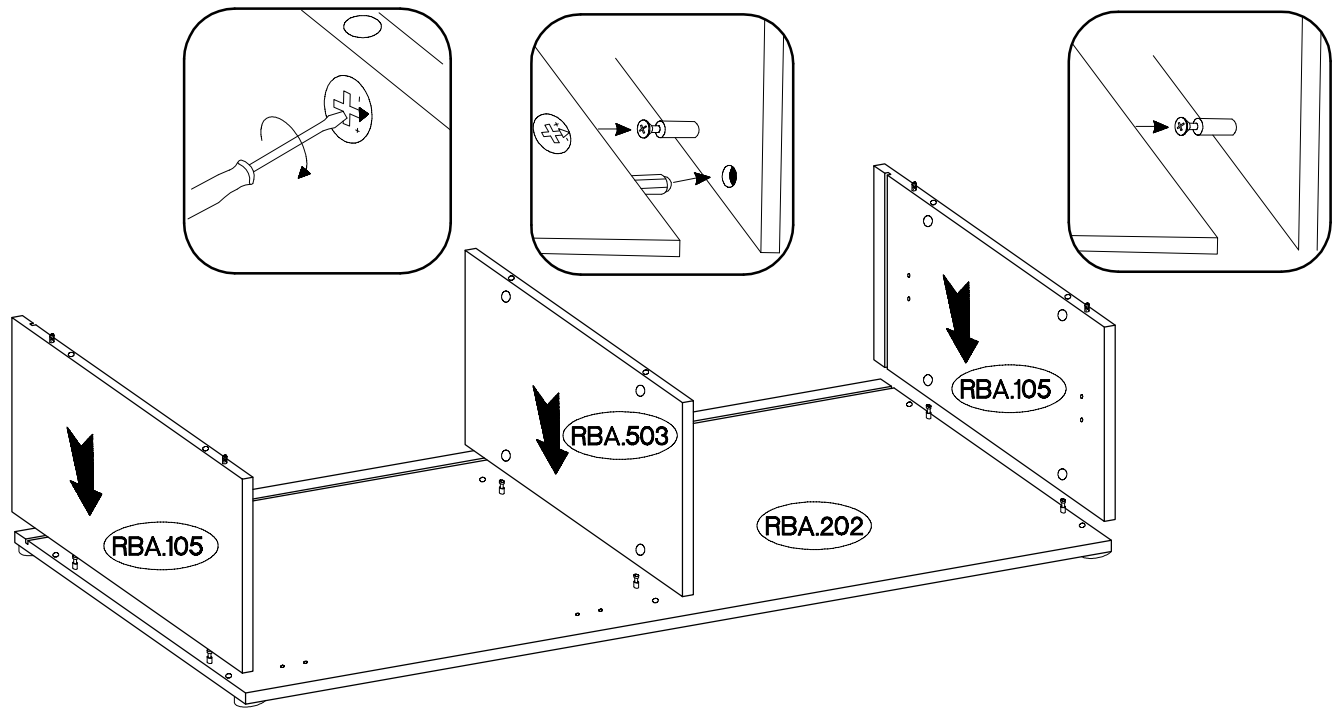
L=20mm  D2 12	±15/12mm  C 12	±8x30mm  A 12	 T9 4	±4.0x16mm  P1 4
 F10 5	±4.0x25mm  P14 5			

**2**

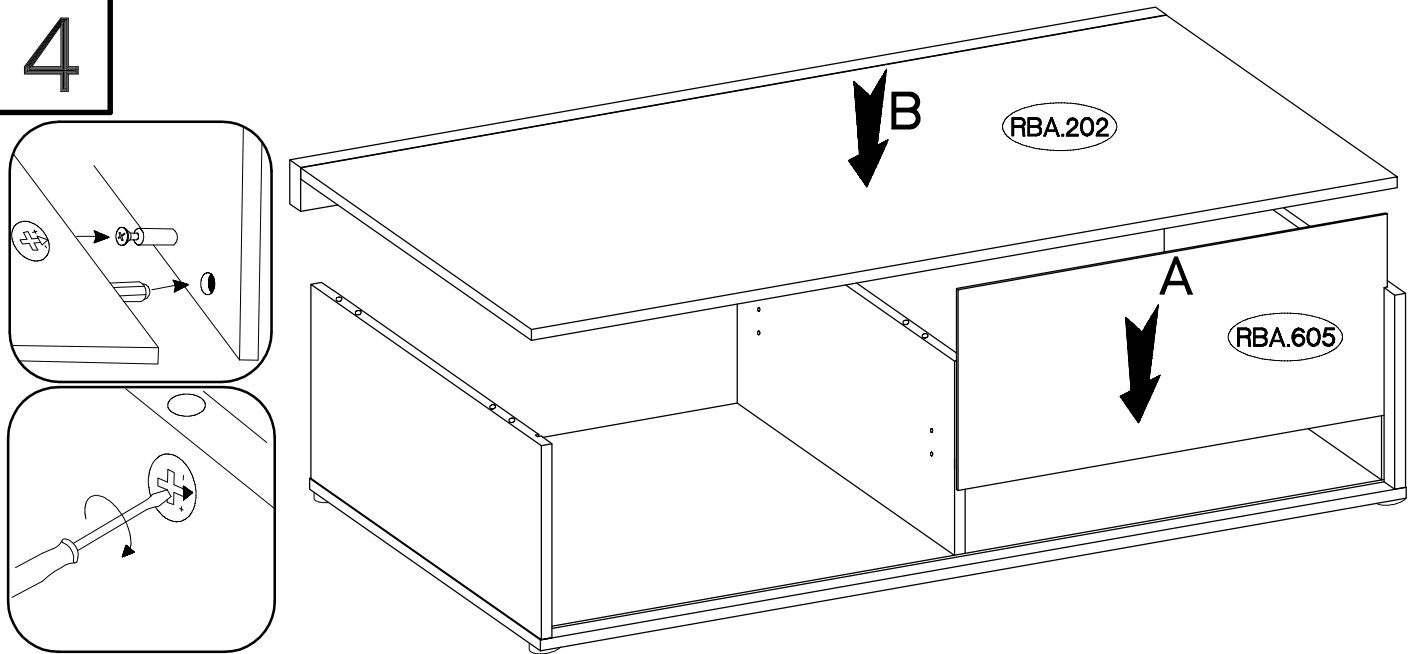
±4.0x16mm  P1 4
--



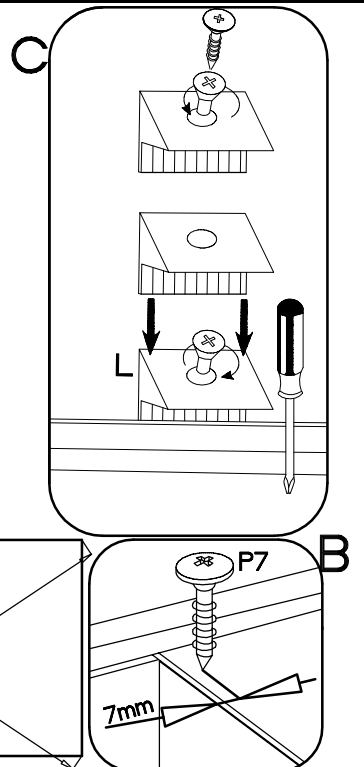
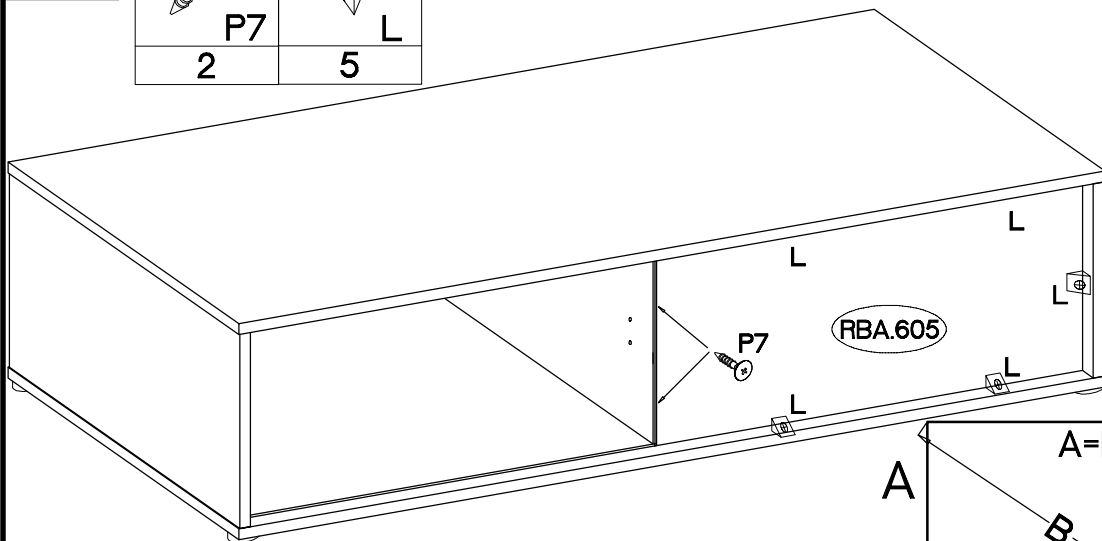
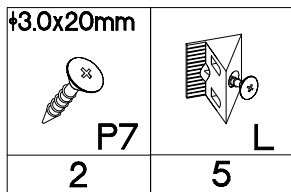
3



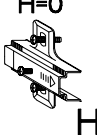
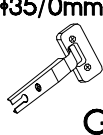

4

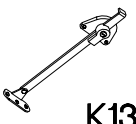


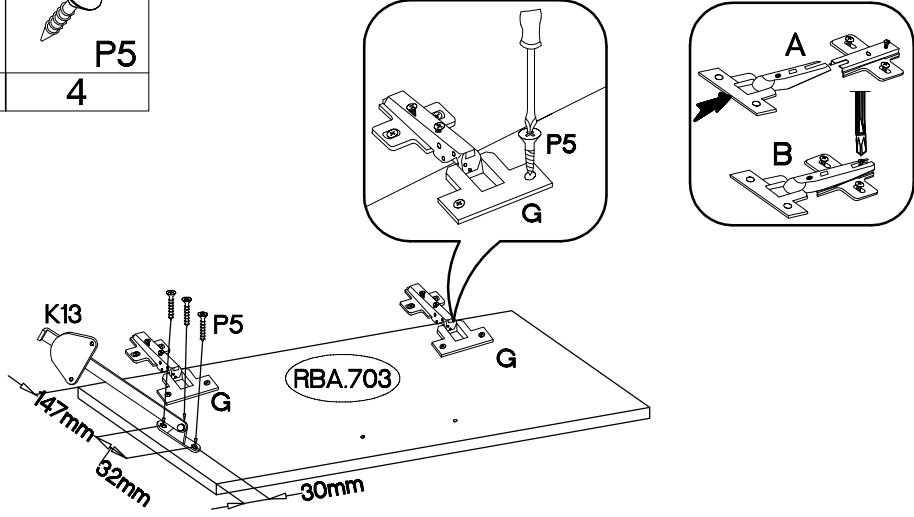
5



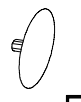

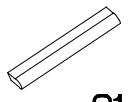
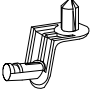
6


H=0  H	+35/0mm  G	+3.5x13mm  P5
2	2	4

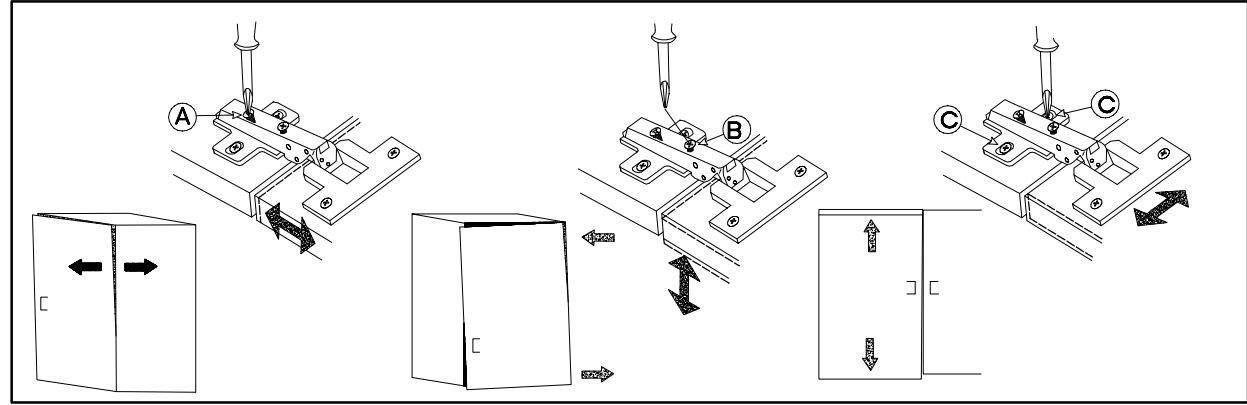
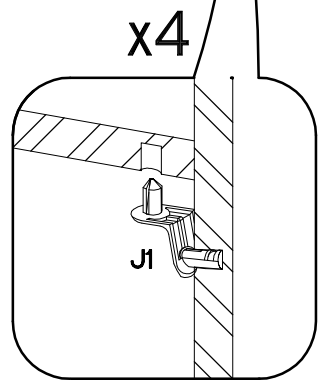
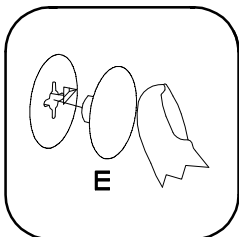
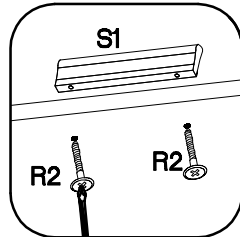
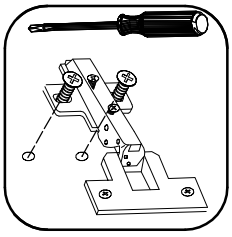
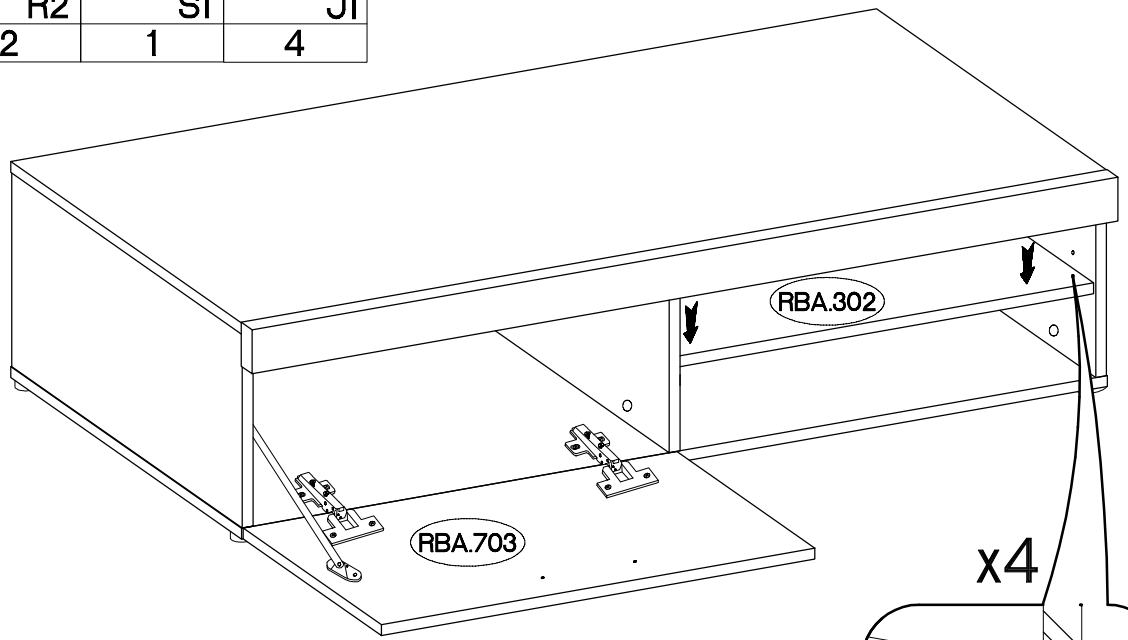
 K13
1








7

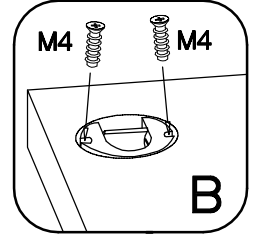
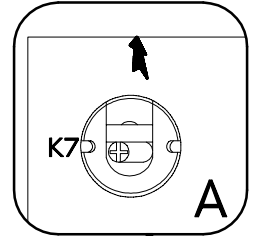
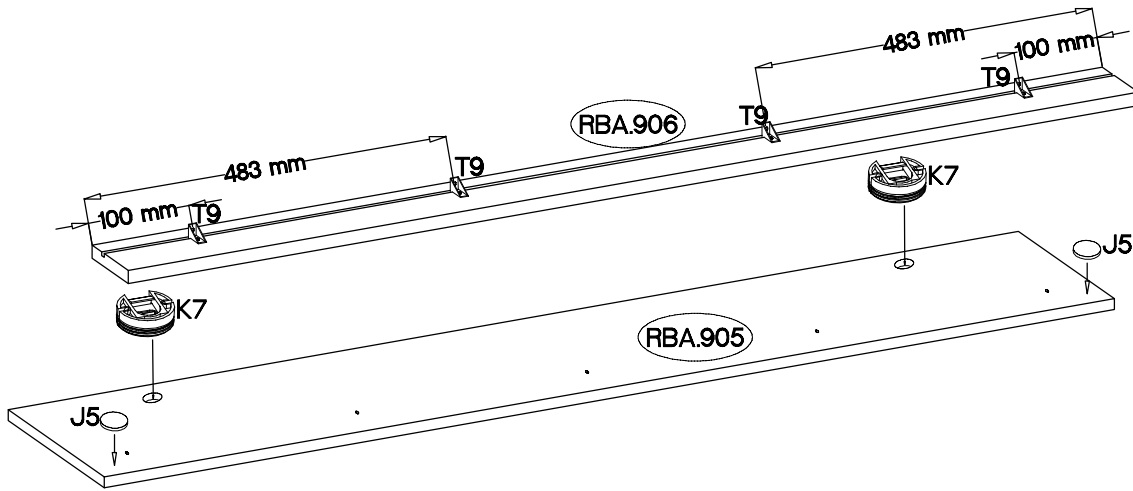
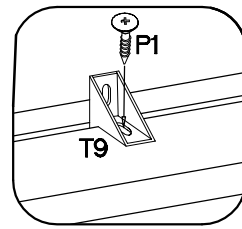
 E	+4.0x30mm  R2	L=128mm  S1	 J1
12	2	1	4

+3.0x16mm  P11
3




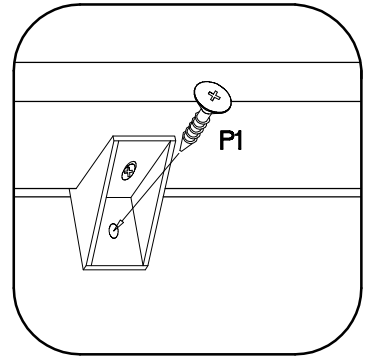
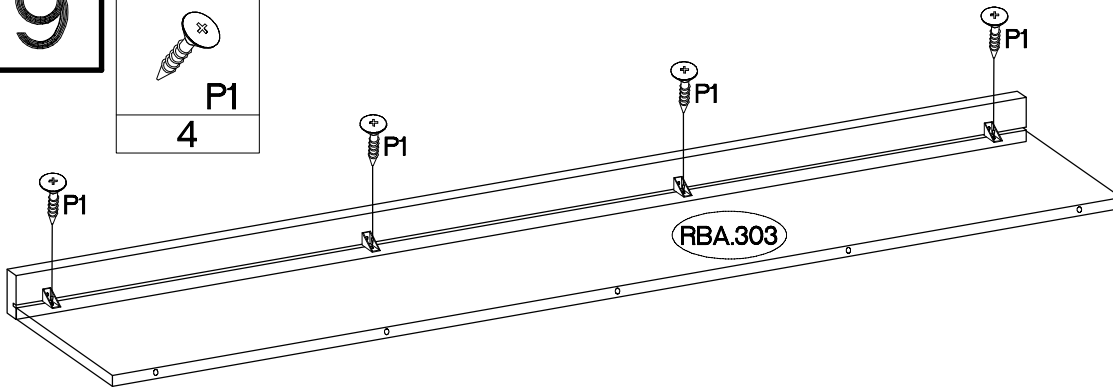
8

	\uparrow 6,3x9mm 	\uparrow 7/2mm 		\uparrow 4.0x16mm 
K7	M4	J5	T9	P1
2	4	2	4	4


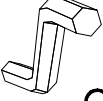


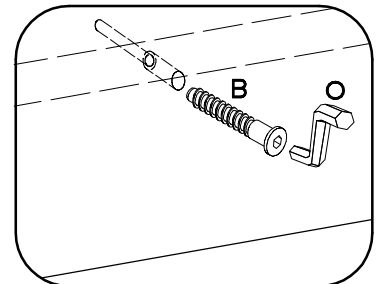
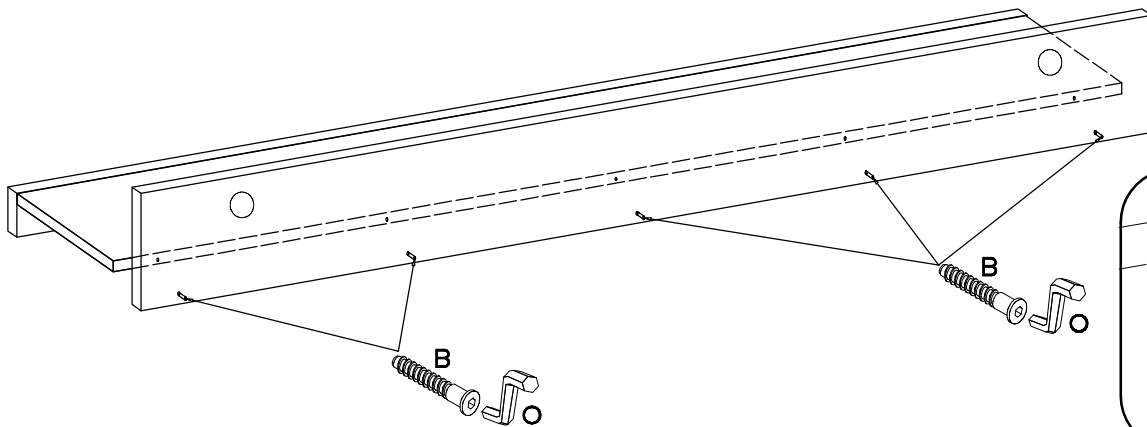
9

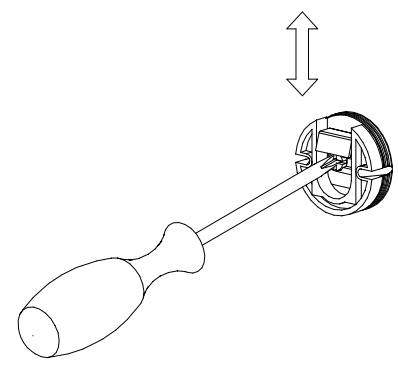
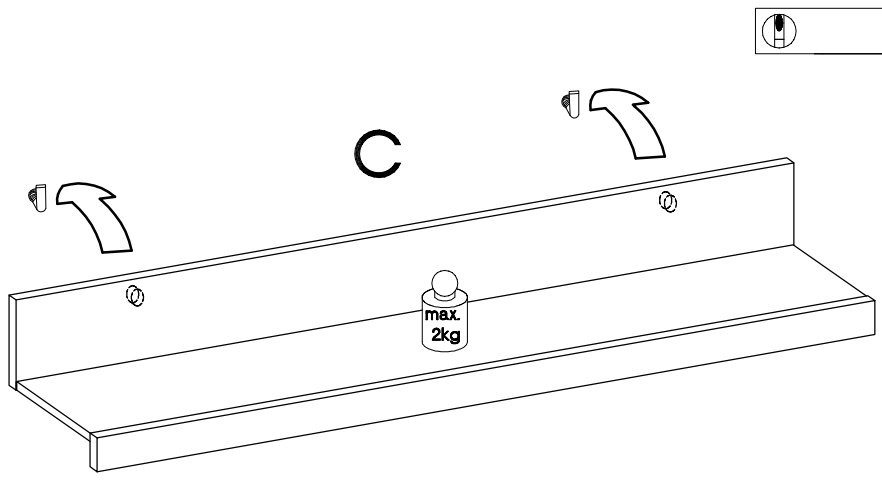
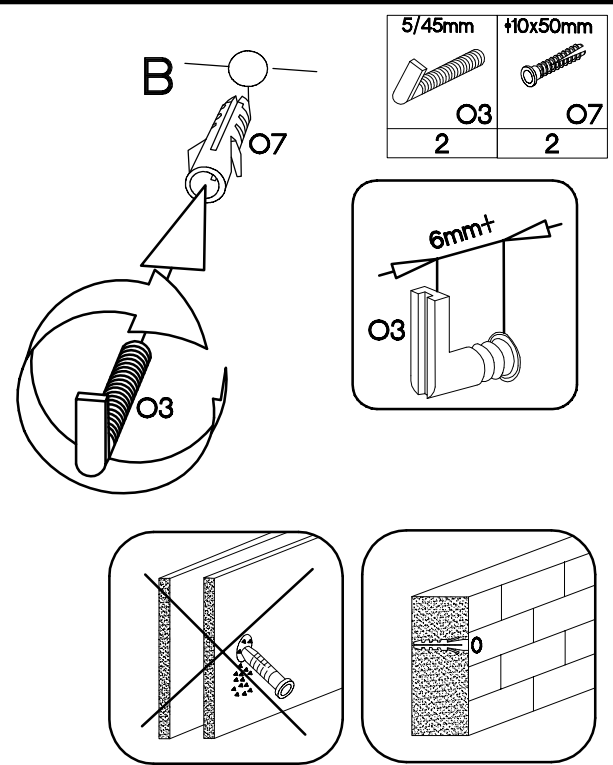
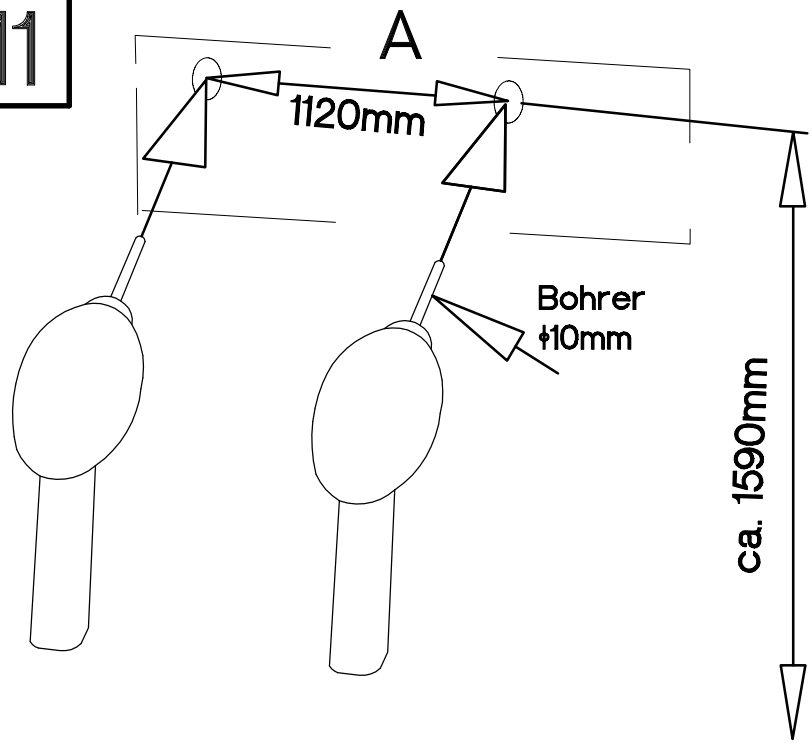
\uparrow 4.0x16mm 
P1
4

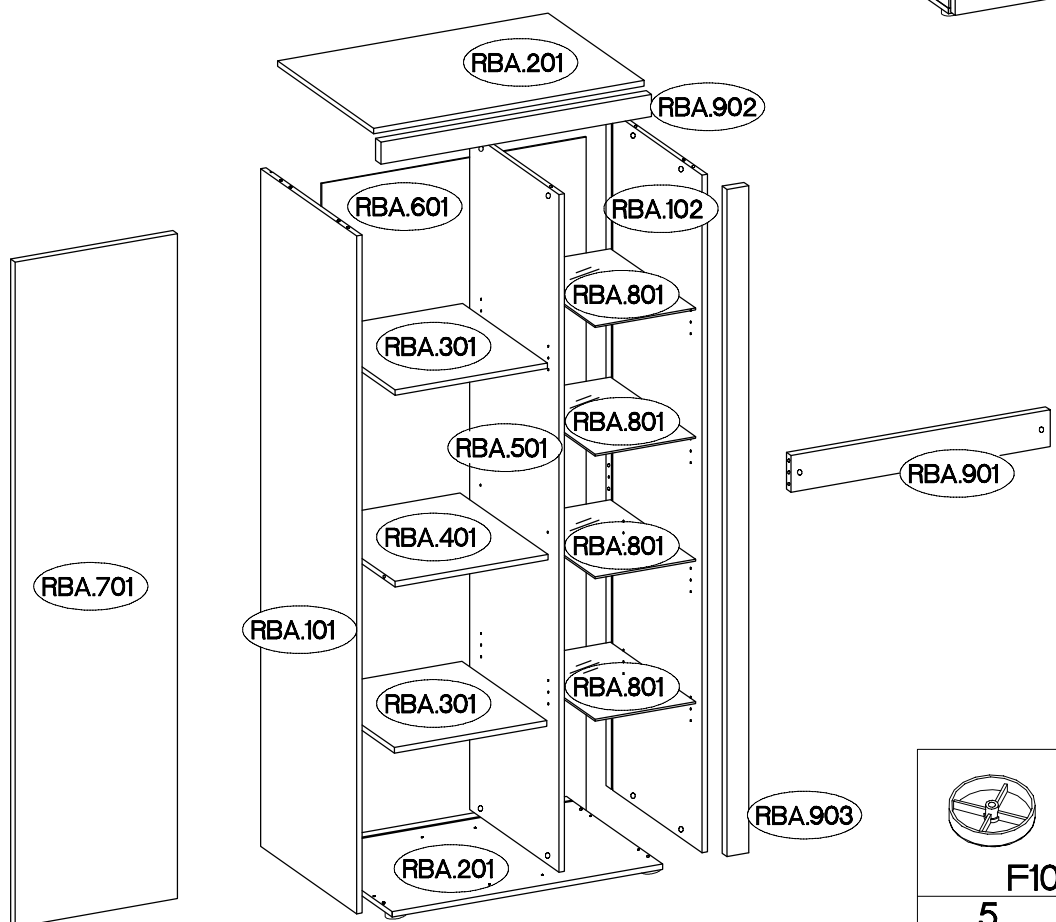
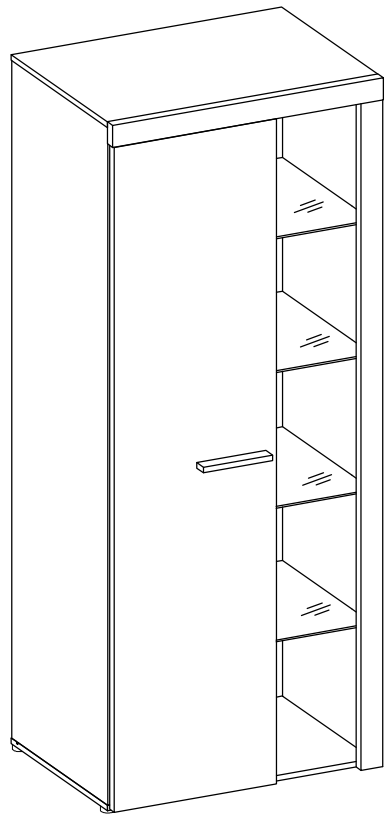


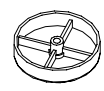

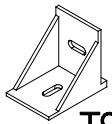
10

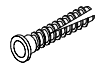


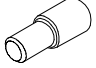

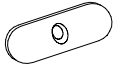

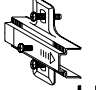
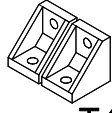


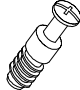
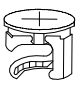
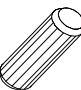
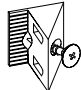
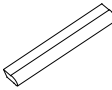
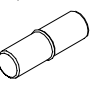
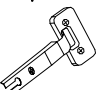
6,4 x 50mm 	
B	O
5	1



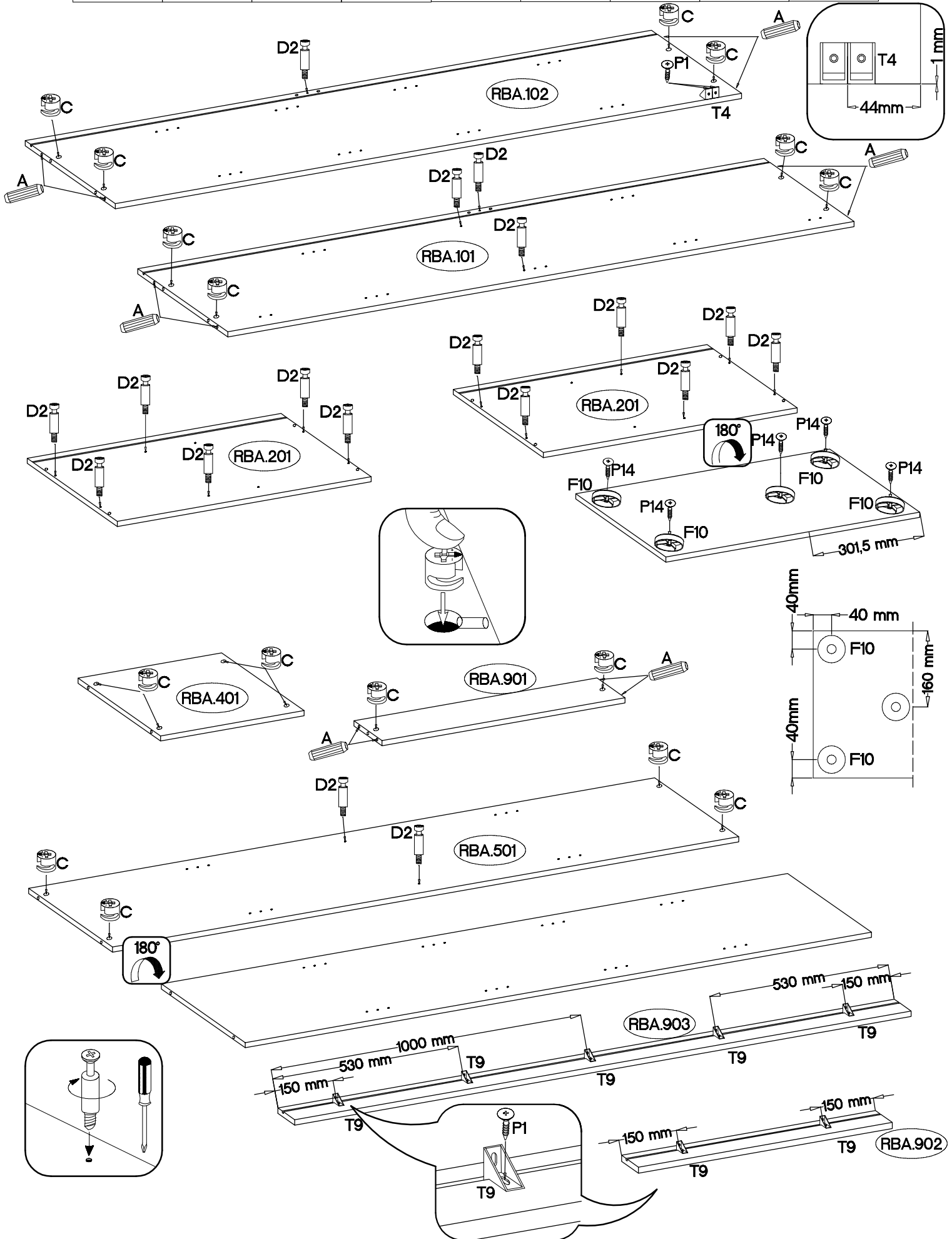




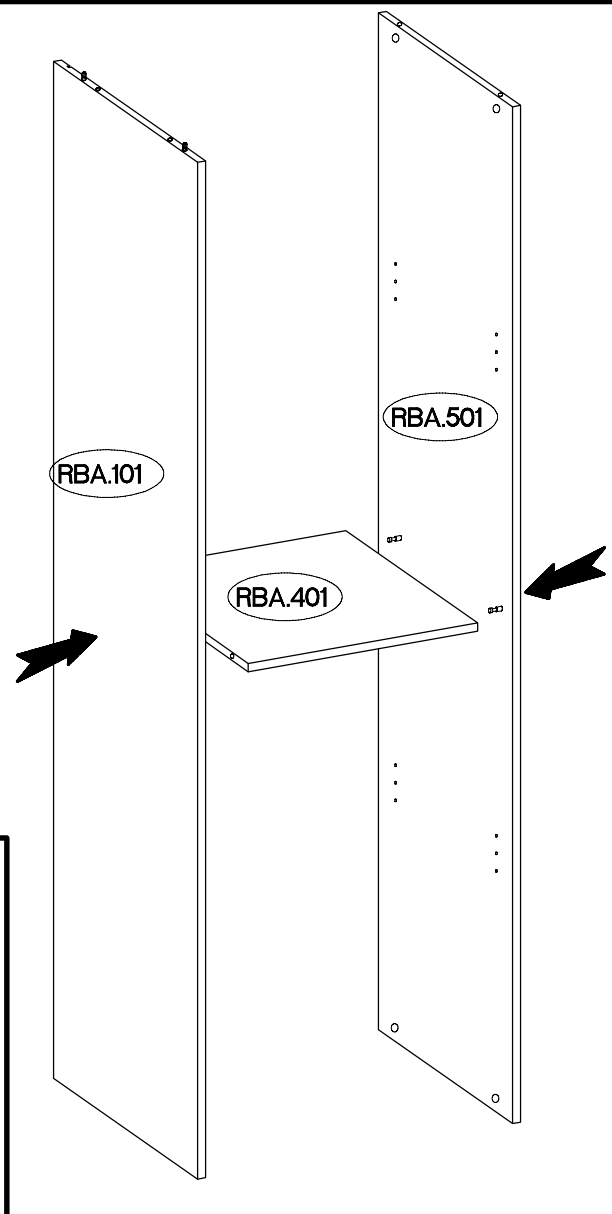
	$\pm 4.0 \times 25 \text{mm}$ 	
F10	P14	T9
5	5	7

$\pm 10 \times 50 \text{mm}$ 				$\pm 3.5 \times 13 \text{mm}$ 		$\pm 4.0 \times 16 \text{mm}$ 	H=0 	
O7	L9	E	J12	P5	L2	P1	H	T4
1	1	16	16	7	10	18	3	1
$\pm 4.0 \times 30 \text{mm}$ 	$\pm 3.0 \times 20 \text{mm}$ 	L=20mm 	$\pm 15/12 \text{mm}$ 	$\pm 8 \times 30 \text{mm}$ 		L=128mm 	$\pm 5/16 \text{mm}$ 	$\pm 35/0 \text{mm}$ 
R2	P7	D2	C	A	12	S1	J3	G
2	9	18	18	12	12	1	8	3

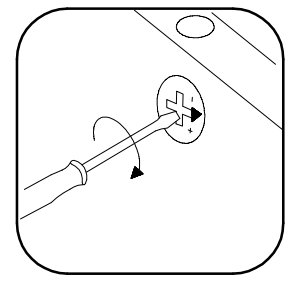
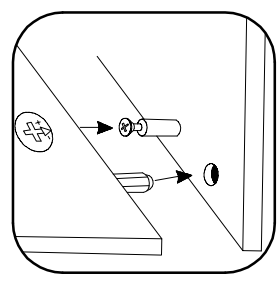
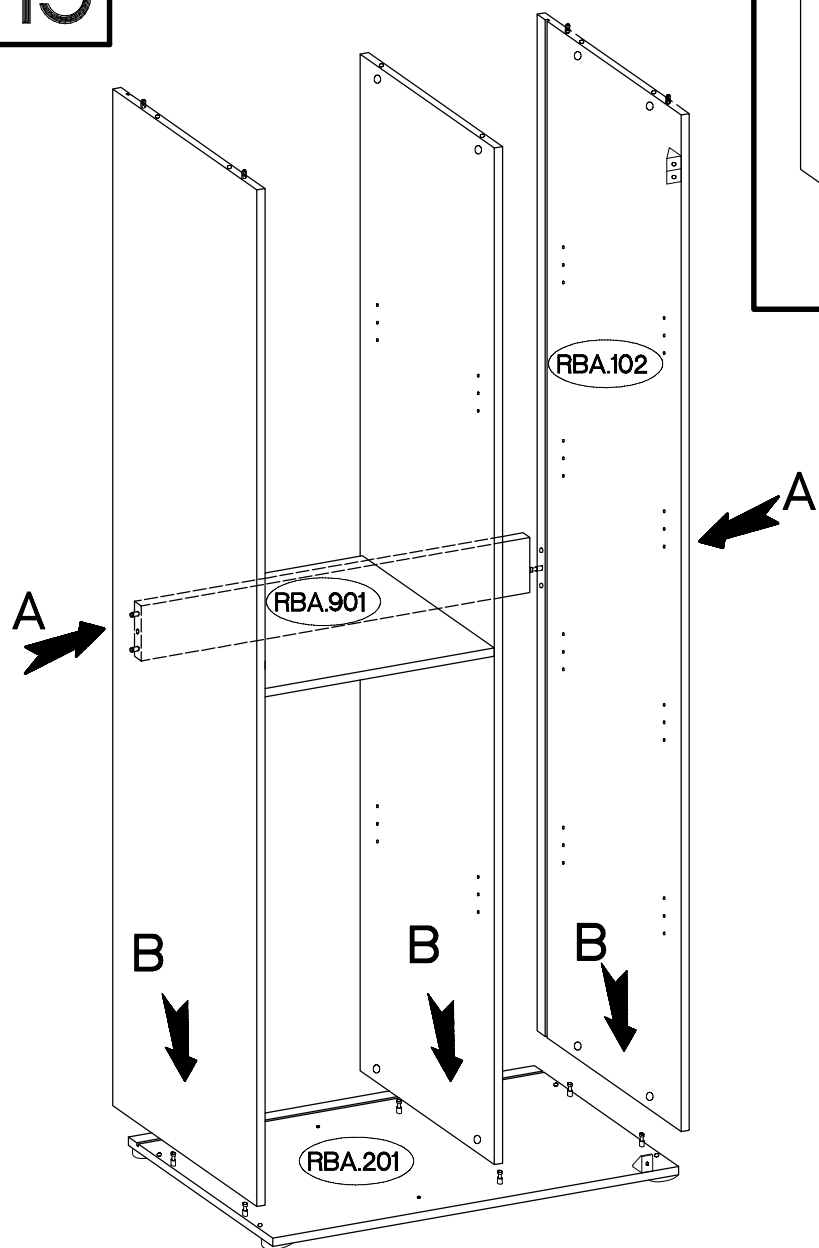
L=20mm	+15/12mm	+8x30mm				+4.0x16mm		+4.0x25mm
D2	C	A	T9	T4	T3	P1	F10	P14
18	18	12	7	1	1	10	5	5



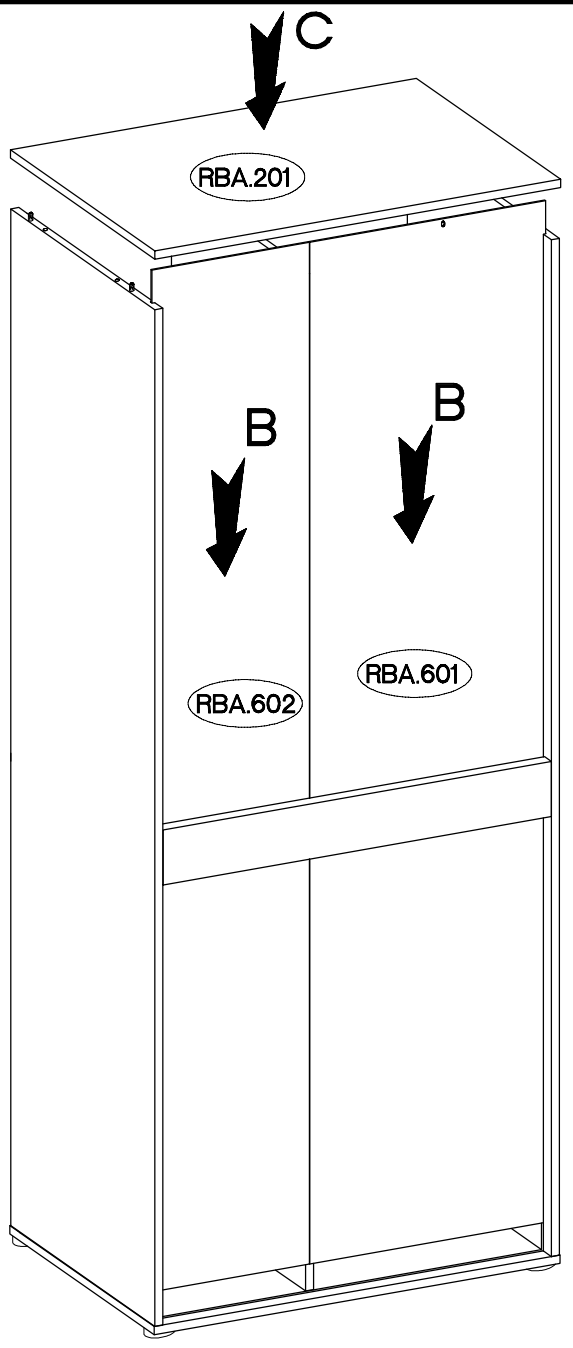
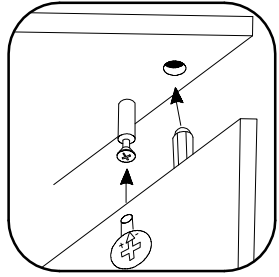
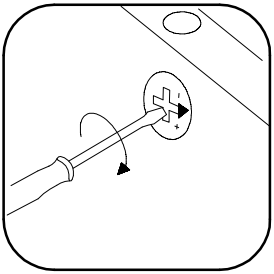
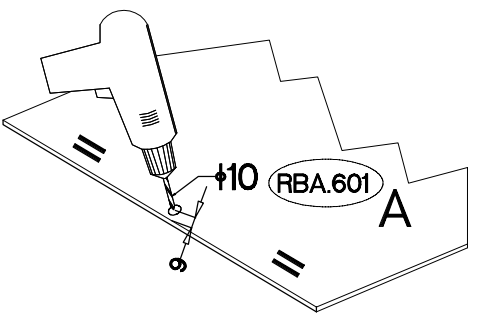
14



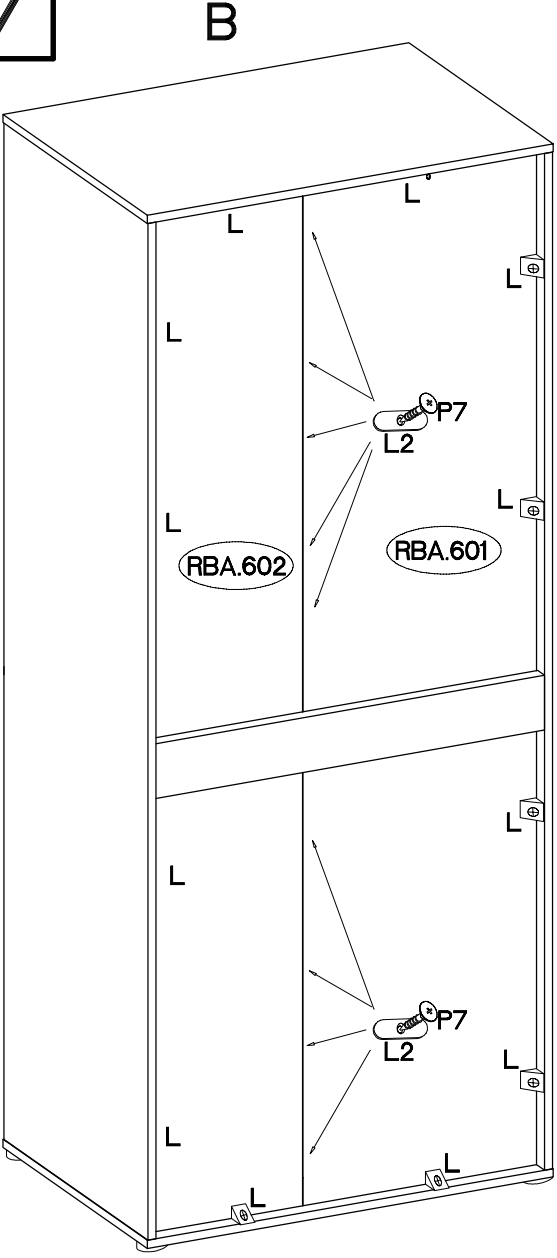
15



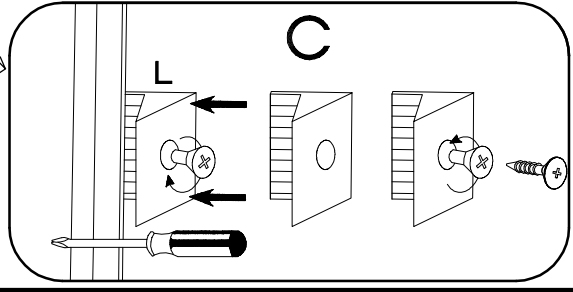
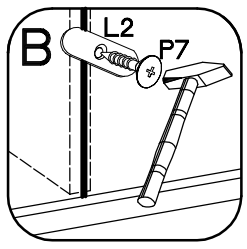
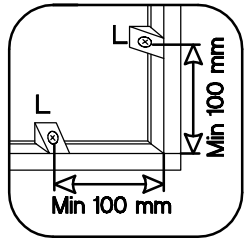
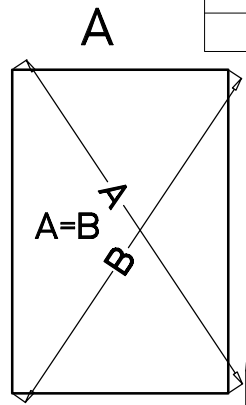
16




17

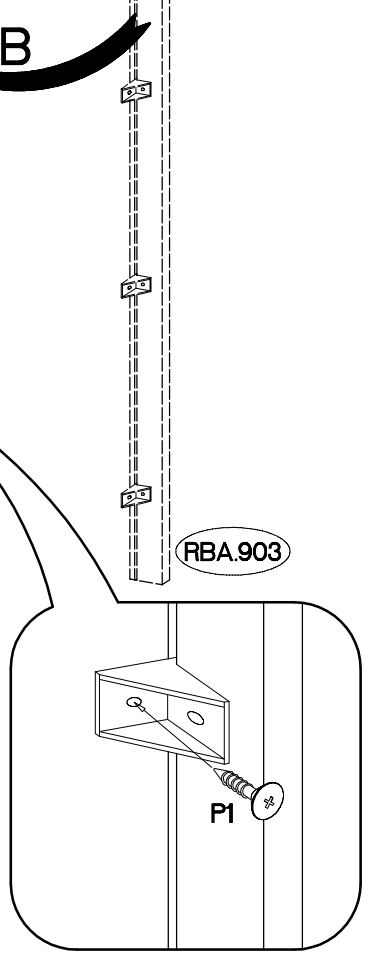
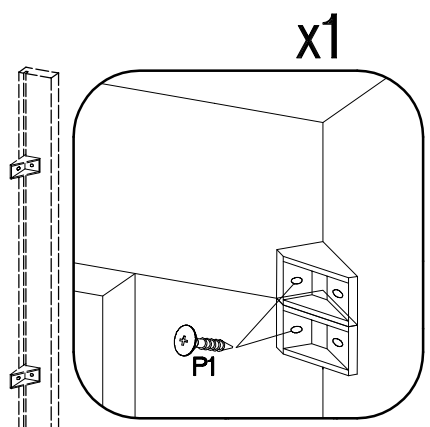
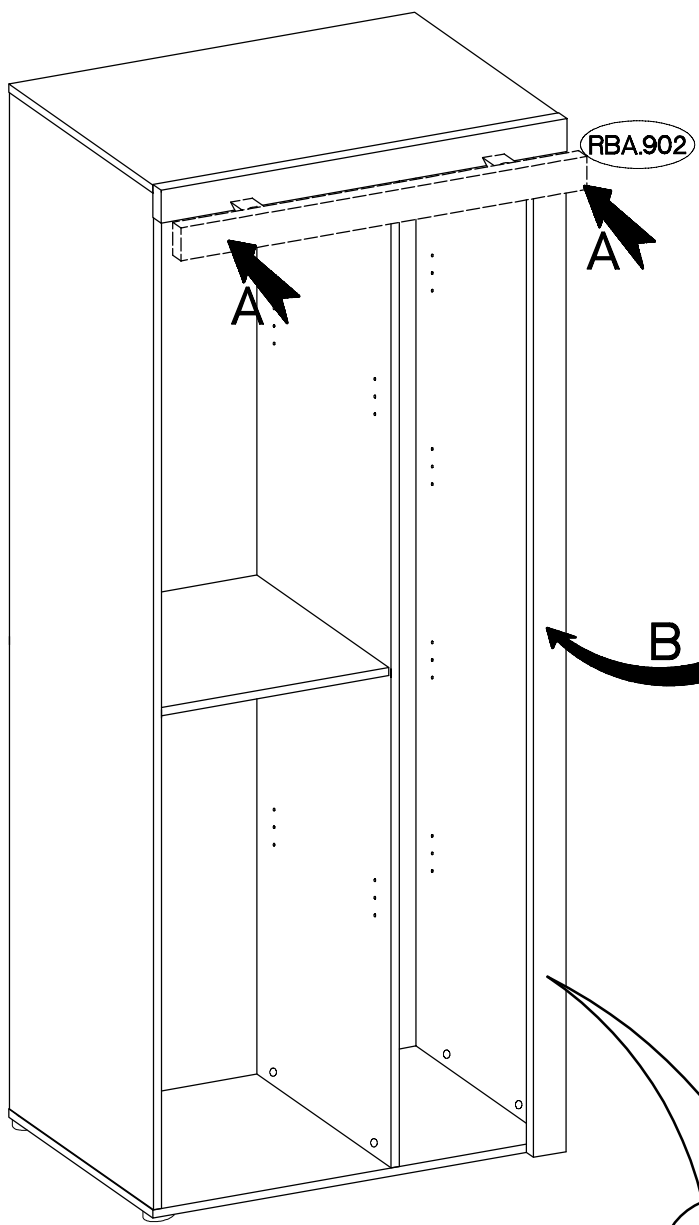


$\varnothing 3.0 \times 20 \text{ mm}$		
 P7	 L2	 L
9	9	12

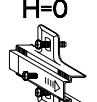




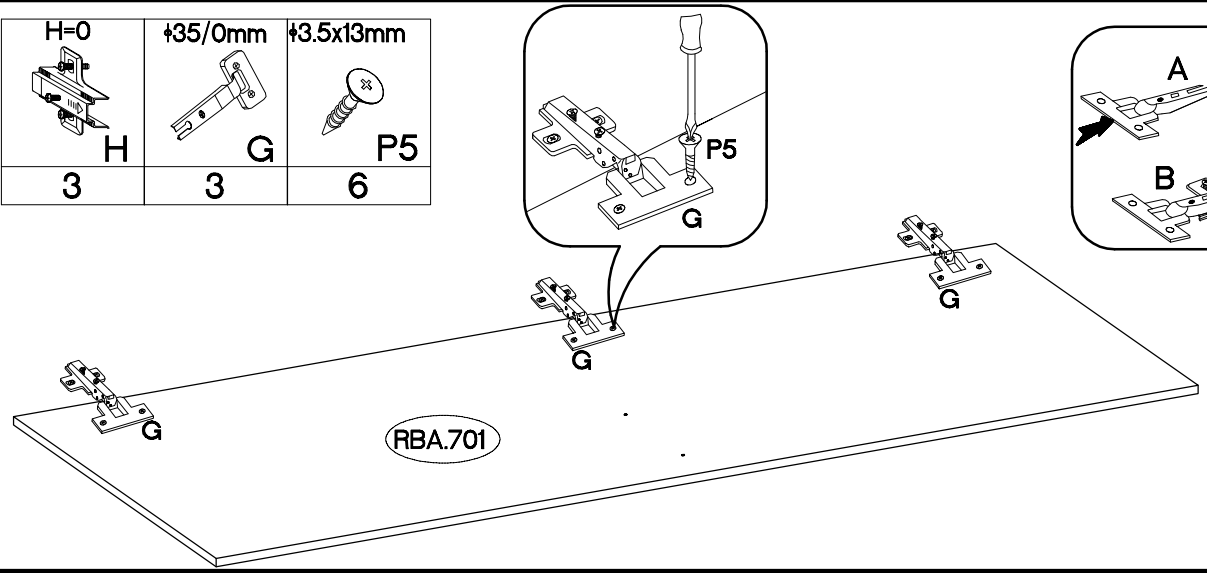
18

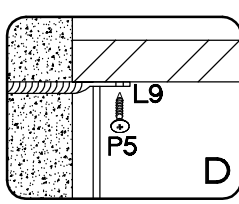
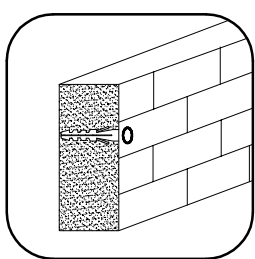
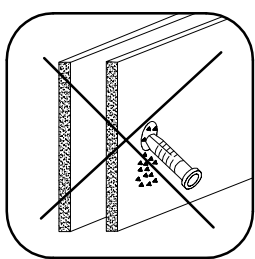
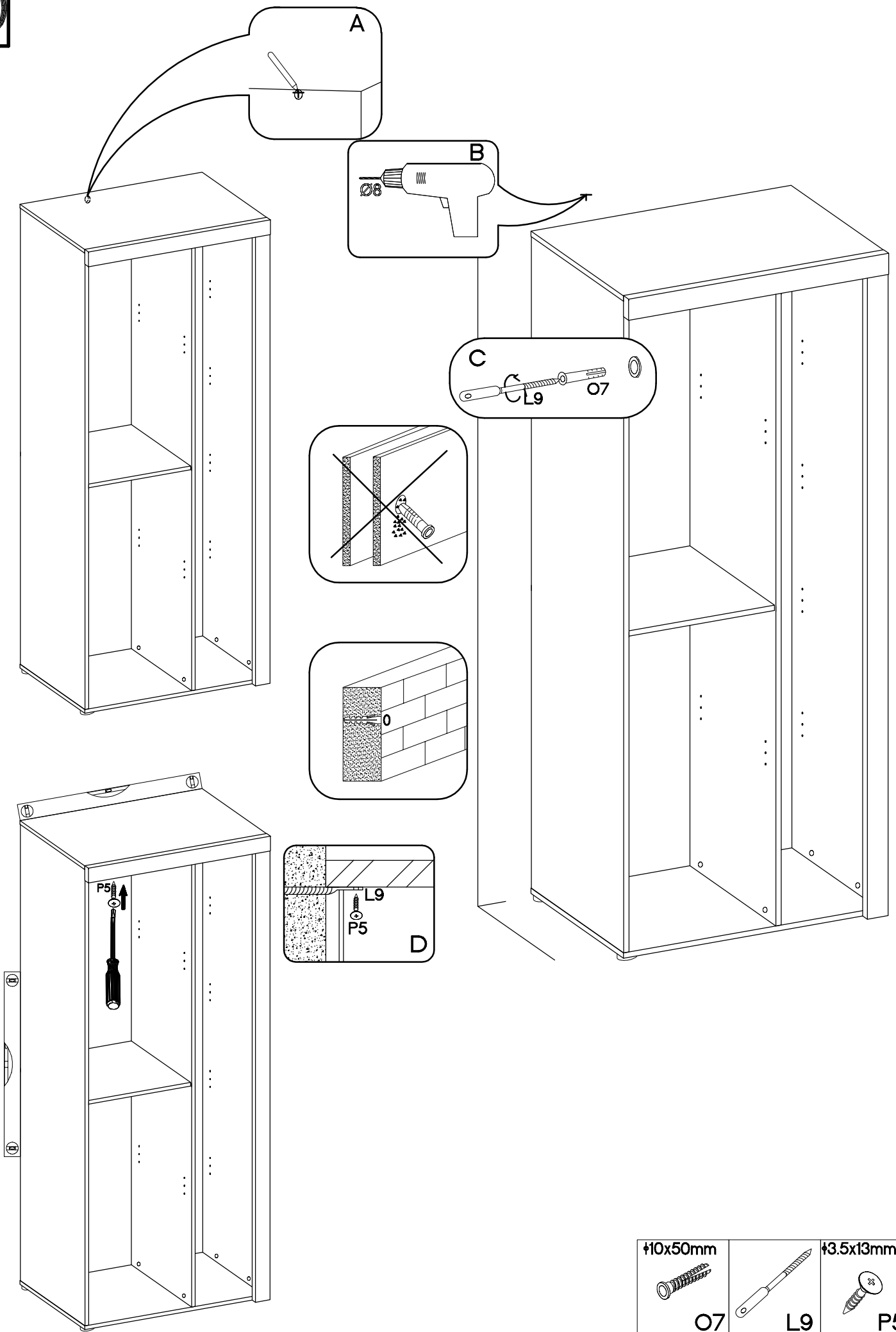
 P1 10
--

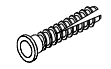




19

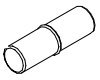


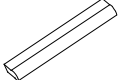
 H=0 H 3	 +35/0mm G 3	 +3.5x13mm P5 6
--	--	---

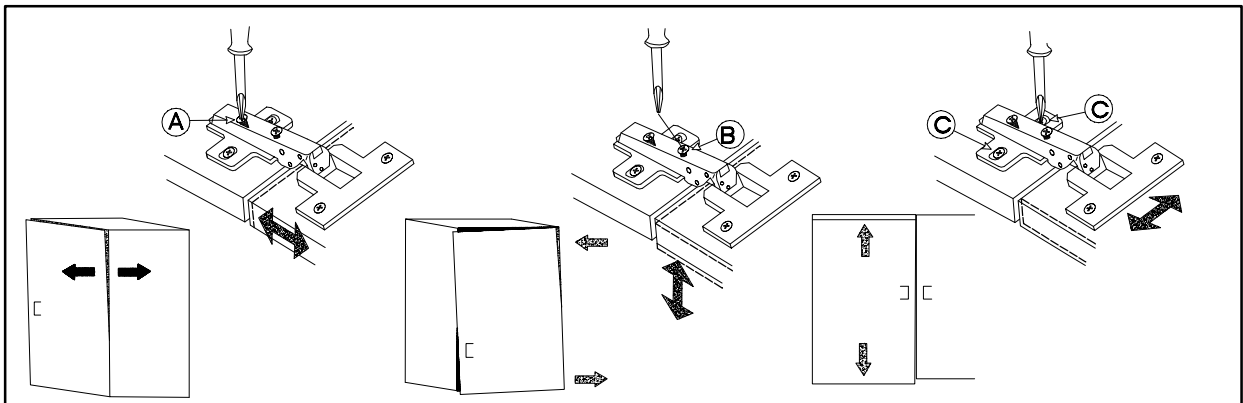
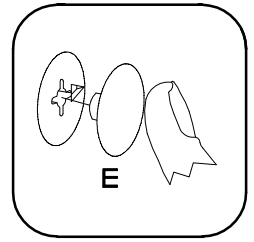
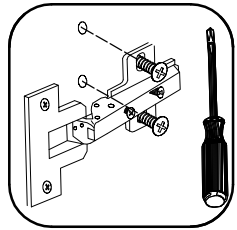
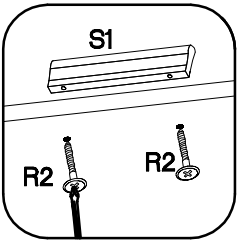
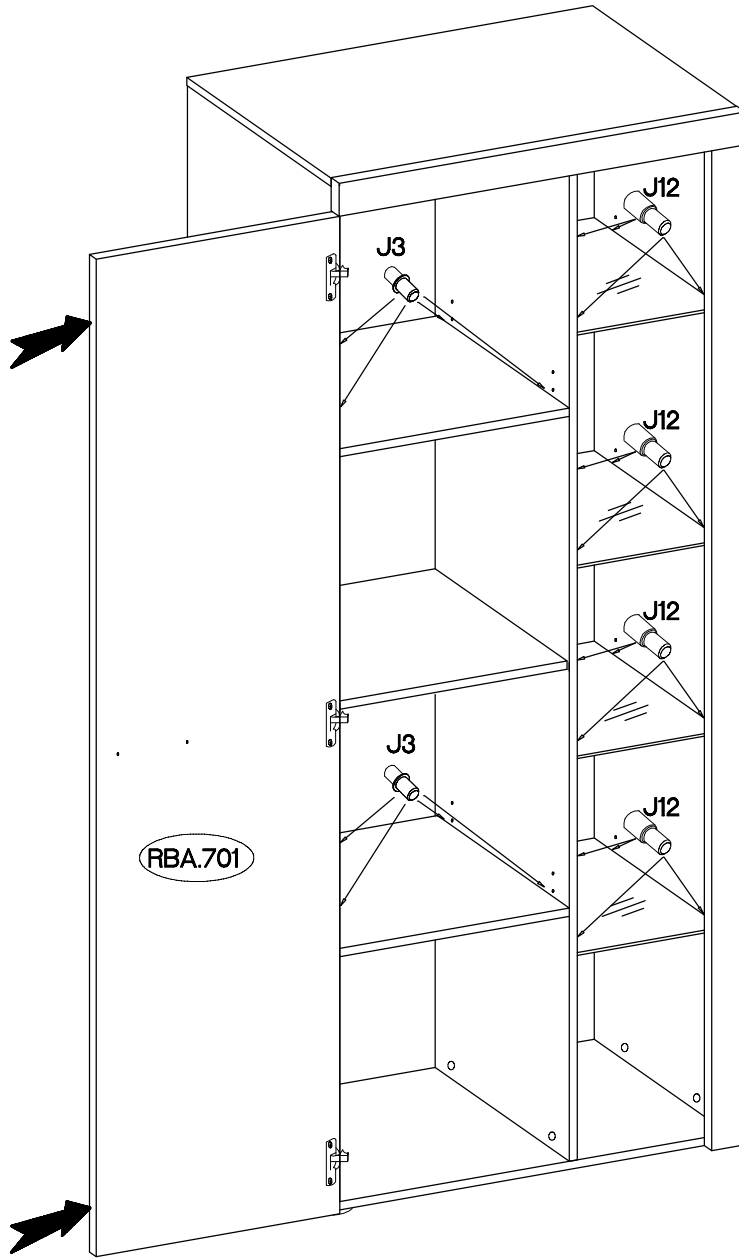


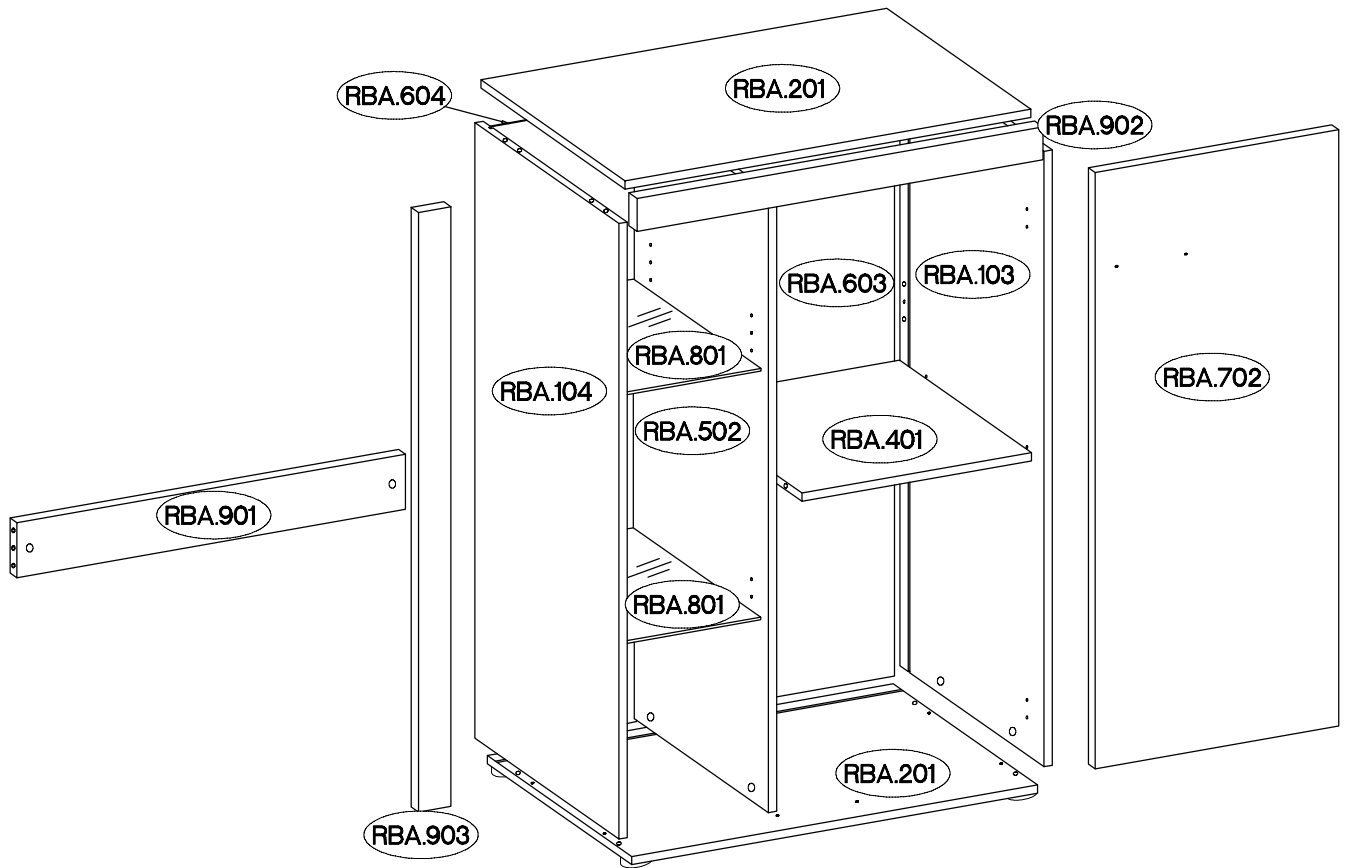
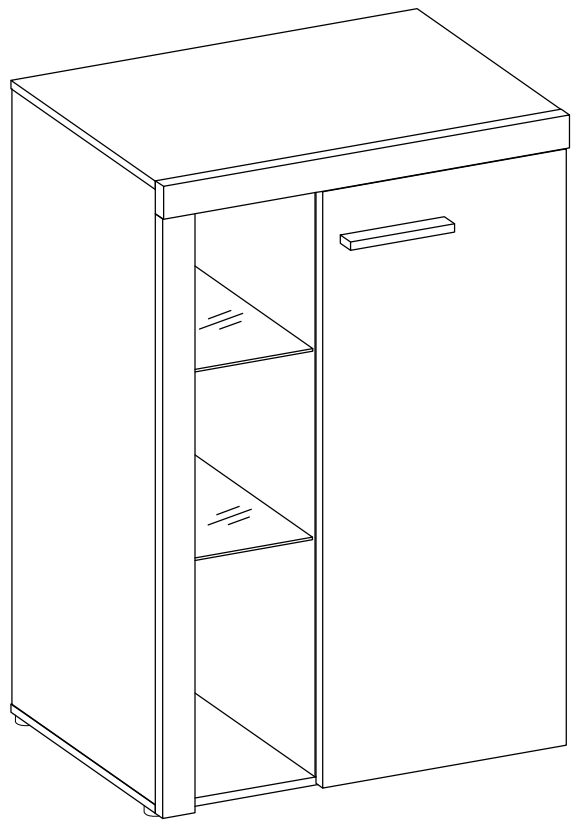


†10x50mm		†3.5x13mm
		
O7	L9	P5
1	1	1


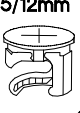
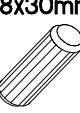
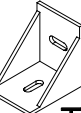
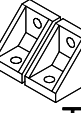
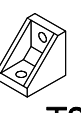

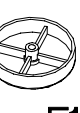
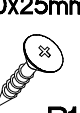
21

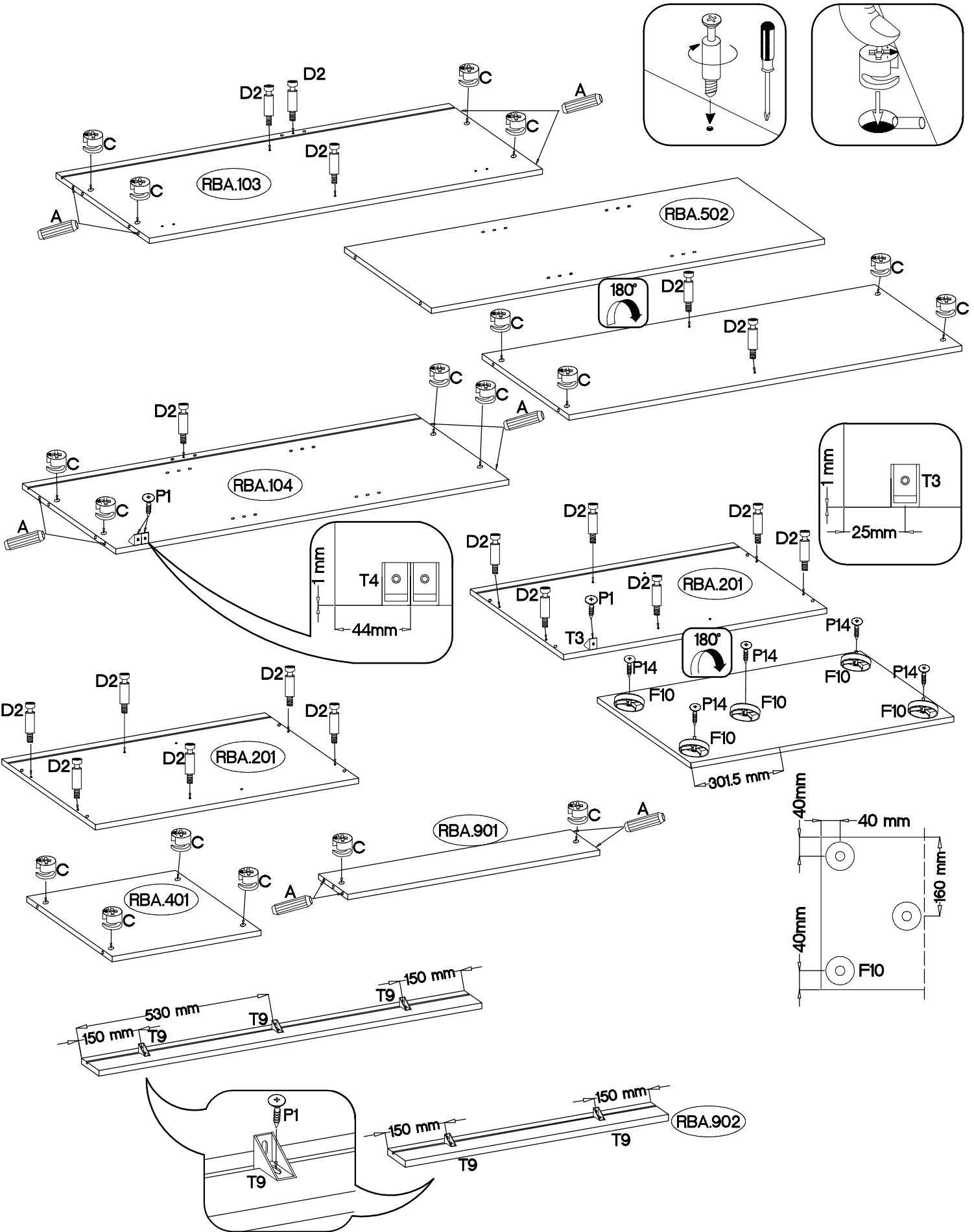
±5/16mm			±4.0x30mm	L=128mm		
	J3	E			R2	S1
	8	16			2	1



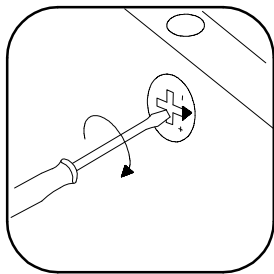
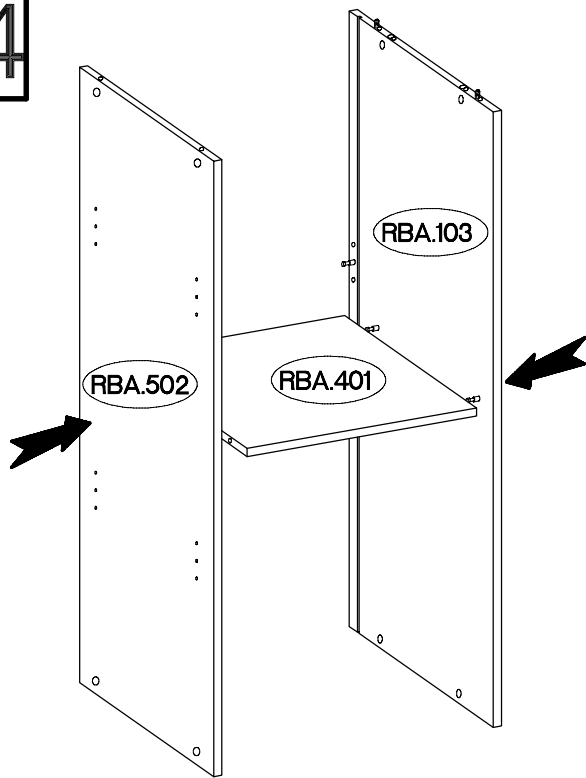


$\dagger 10 \times 50 \text{mm}$ O7	$\dagger 4.0 \times 25 \text{mm}$ L9	$\dagger 3.0 \times 20 \text{mm}$ F10	$\dagger 4.0 \times 30 \text{mm}$ P14	H=0 H	$\dagger 15 / 12 \text{mm}$ C	$\dagger 3.5 \times 13 \text{mm}$ P5	L=128mm S1	$\dagger 35 / 0 \text{mm}$ E	$\dagger 4.0 \times 16 \text{mm}$ T9	$\dagger 4.0 \times 30 \text{mm}$ T4
1	1	5	5	2	7	5	8	5	1	1
$\dagger 4.0 \times 30 \text{mm}$ R2	$\dagger 4.0 \times 16 \text{mm}$ P1	$\dagger 3.0 \times 20 \text{mm}$ P7	$\dagger 4.0 \times 25 \text{mm}$ D2	H=0 H	$\dagger 15 / 12 \text{mm}$ C	$\dagger 3.5 \times 13 \text{mm}$ P5	L=128mm S1	$\dagger 35 / 0 \text{mm}$ E	$\dagger 4.0 \times 16 \text{mm}$ T9	$\dagger 4.0 \times 30 \text{mm}$ T4
2	14	7	18	2	7	5	8	5	1	1

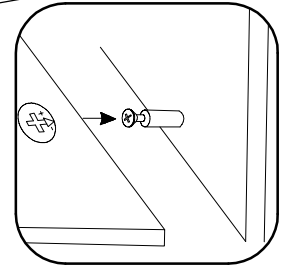
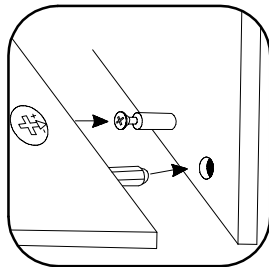
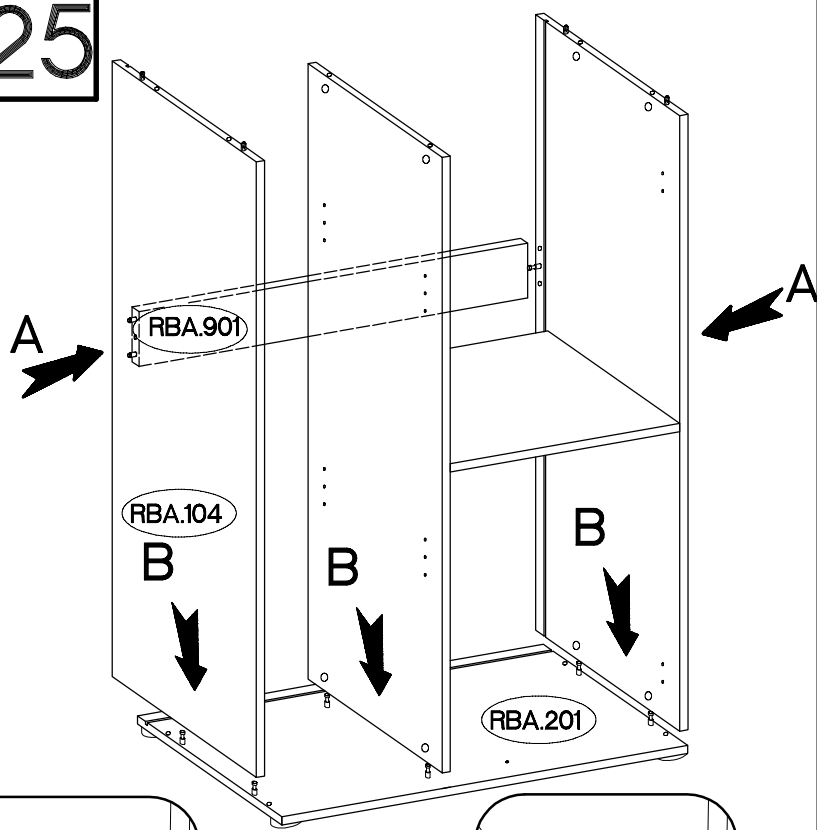
L=20mm  D2 18	+15/12mm  C 18	+8x30mm  A 12	 T9 5	 T4 1	 T3 1	+4.0x16mm  P1 8	 F10 5	+4.0x25mm  P14 5
--	---	--	---	---	--	--	--	---



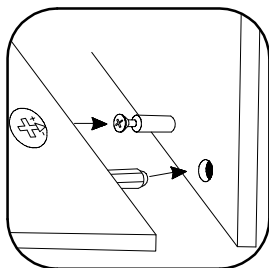
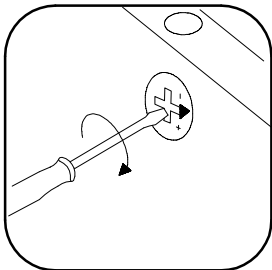
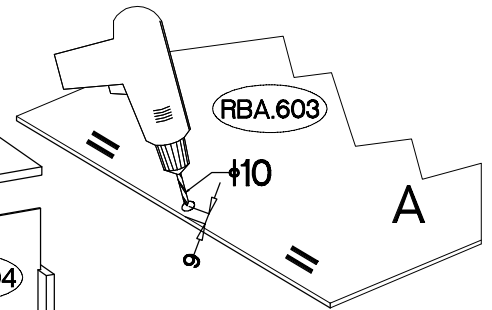
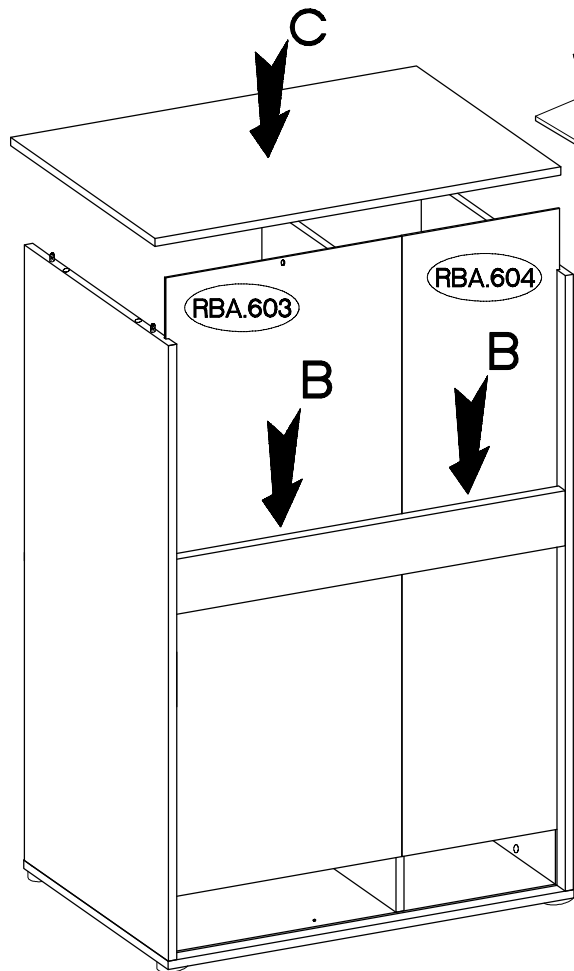
24



25



26



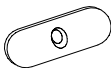
27

±3.0x20mm



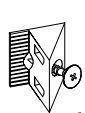
P7

11



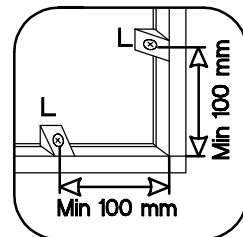
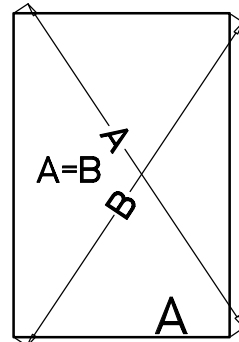
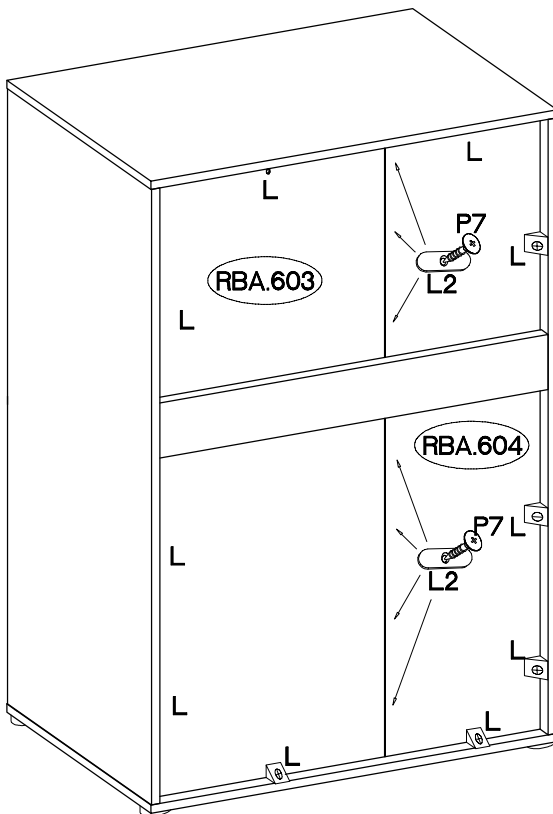
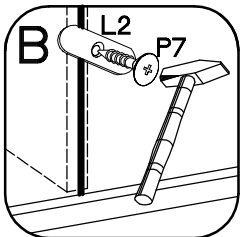
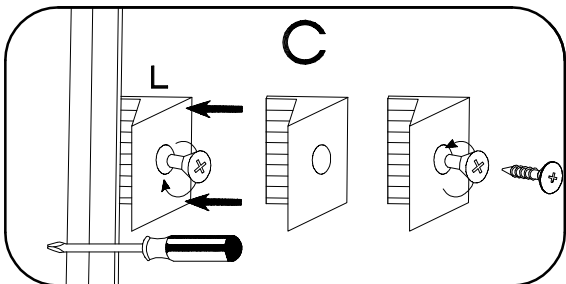
L2

7



L

10



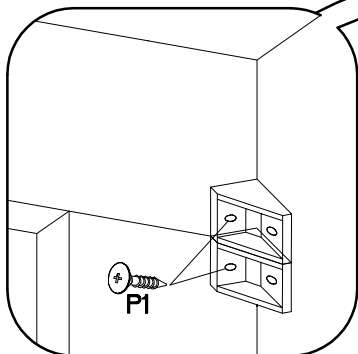
28

±4.0x16mm

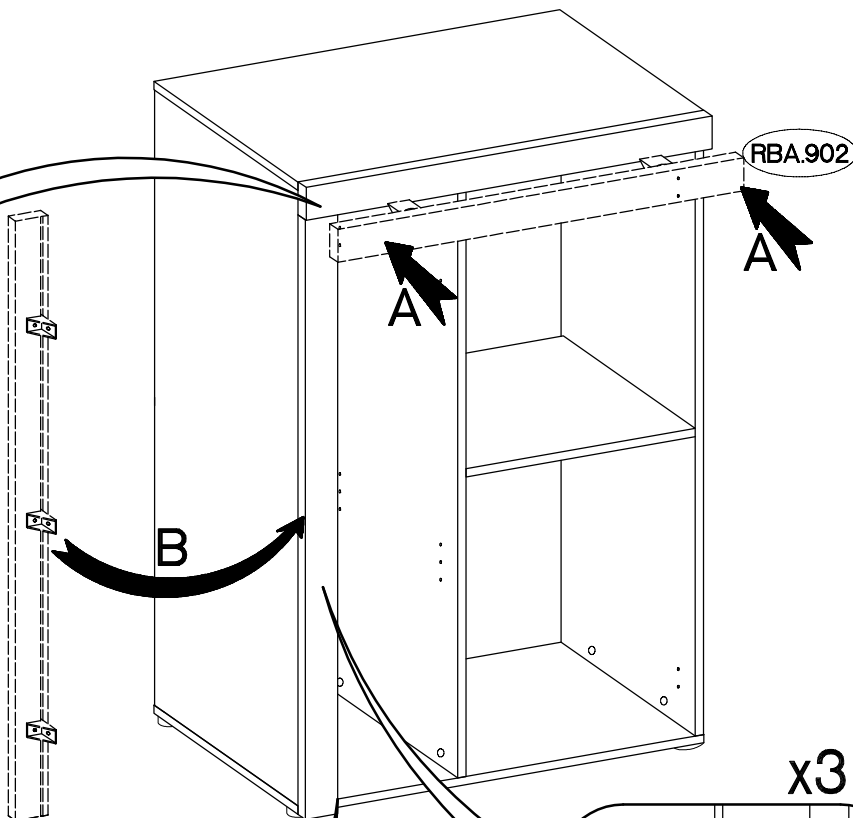


P1

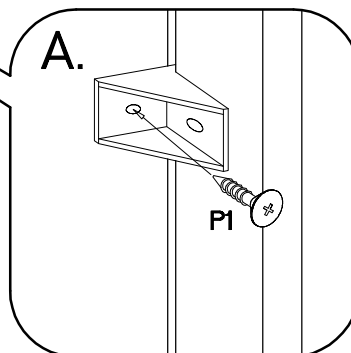
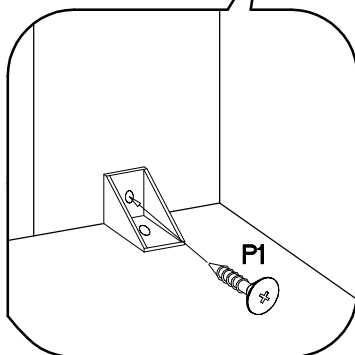
10






x1

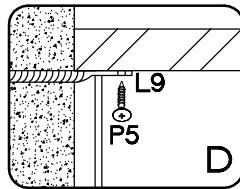
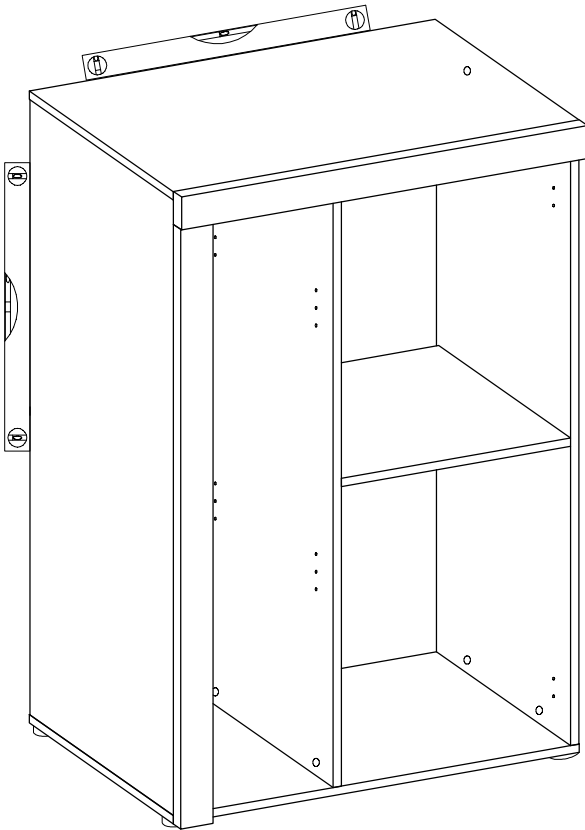
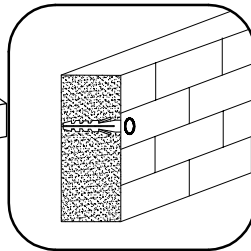
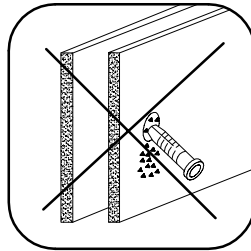
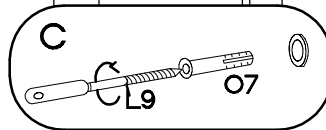
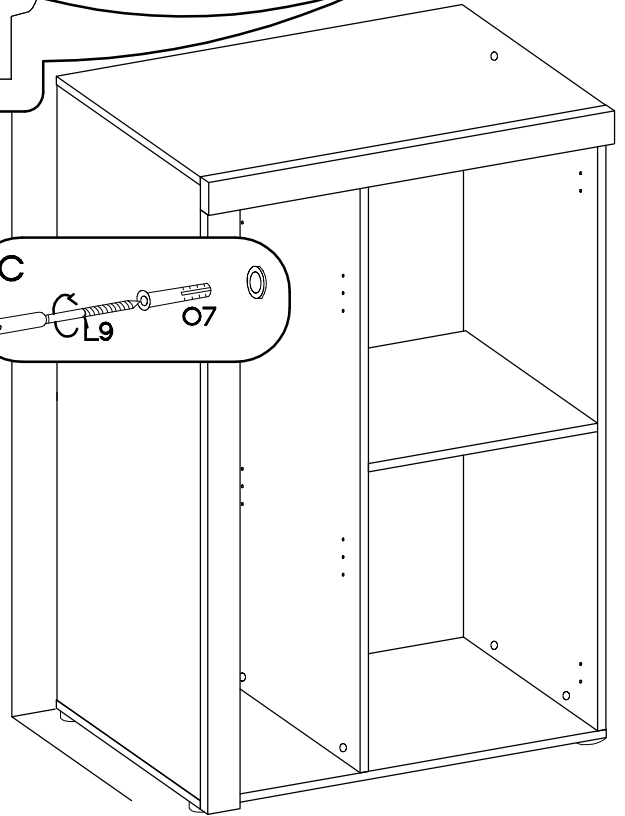
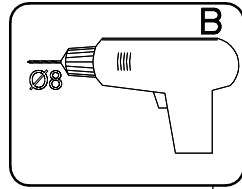
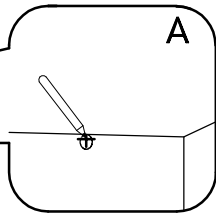
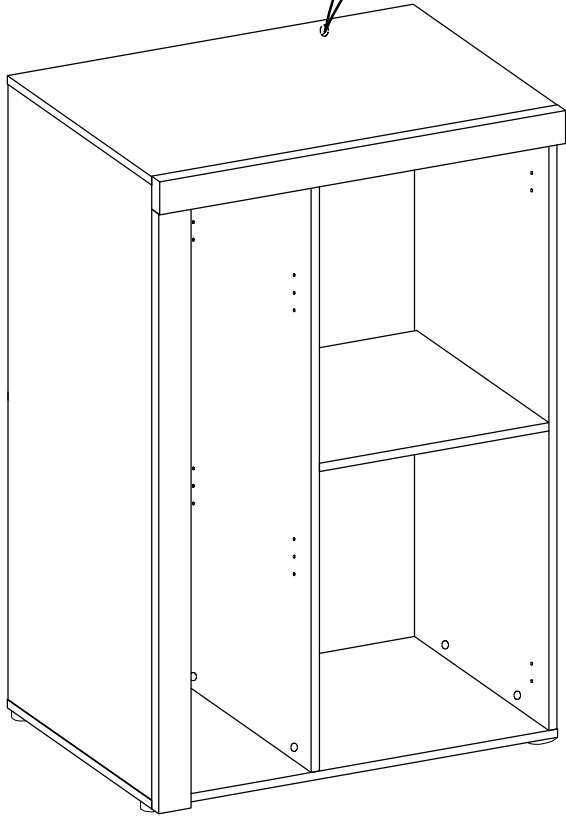


x1






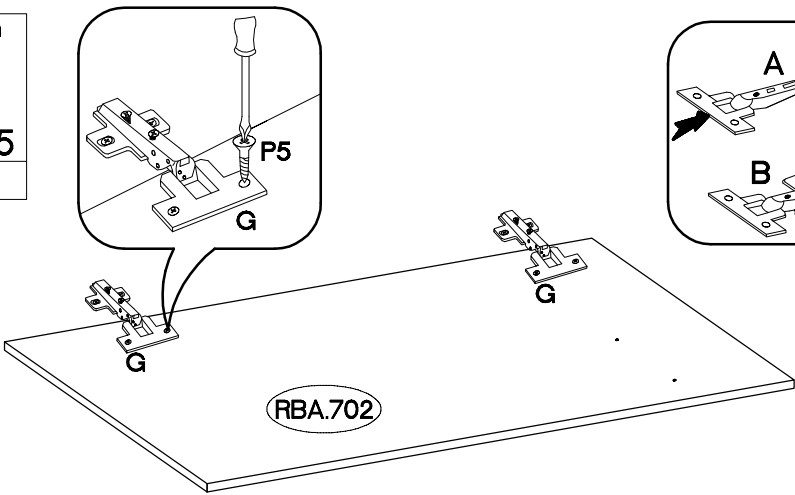
x3

 $\pm 10 \times 50 \text{mm}$	 L9	 $\pm 3.5 \times 13 \text{mm}$
O7	L9	P5
1	1	1




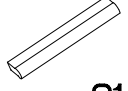


30

H=0  H	+35/0mm  G	+3.5x13mm  P5
2	2	4



31

 E	 J12	+4.0x30mm  R2	L=128mm  S1
16	8	2	1

