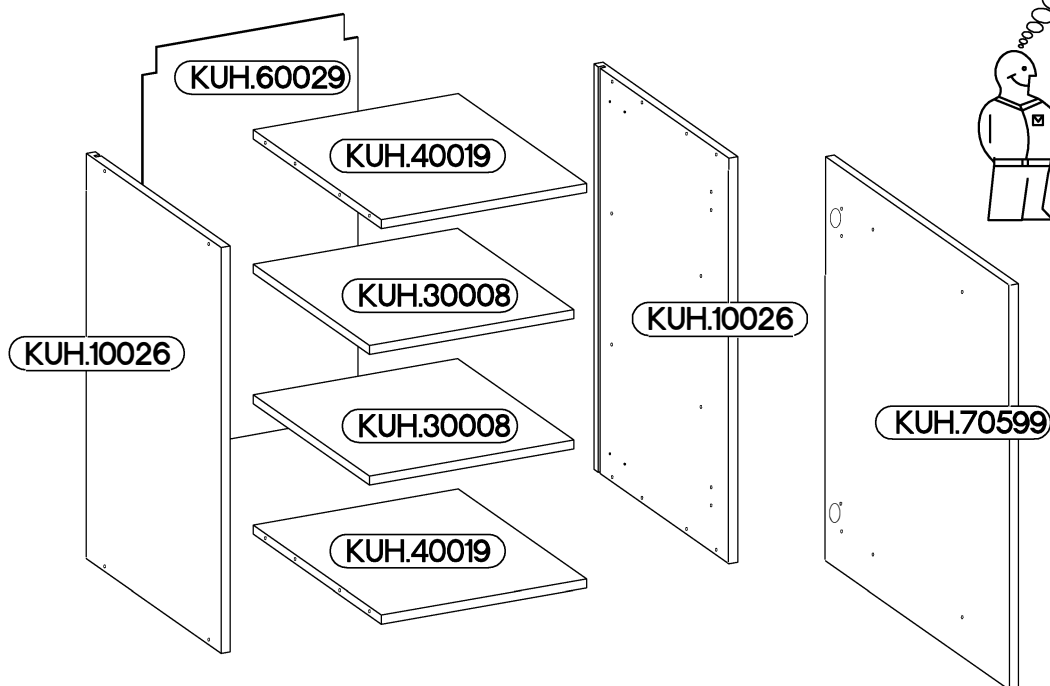
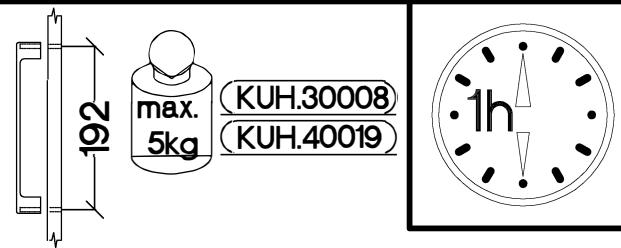
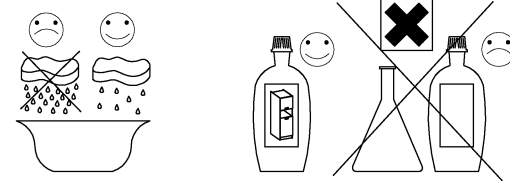
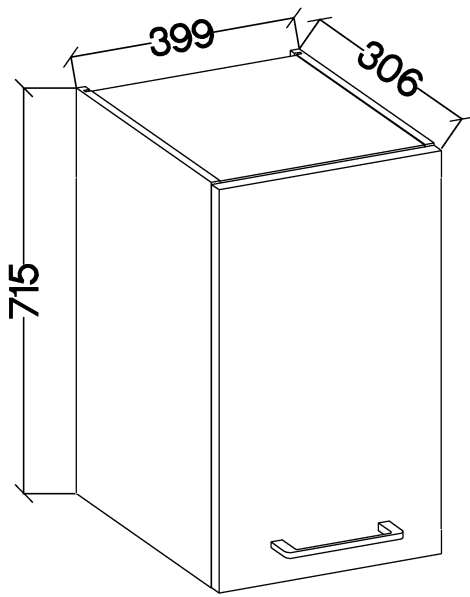
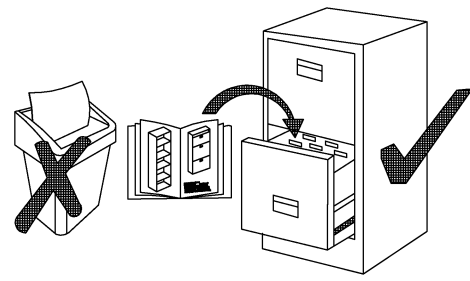


40 G-72 1F VIRION

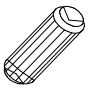
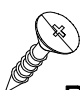
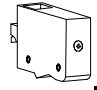


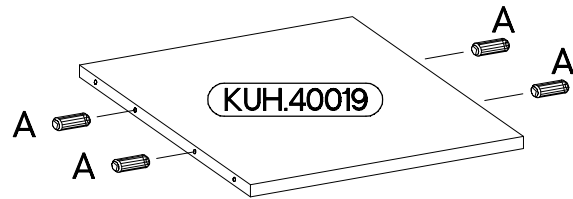
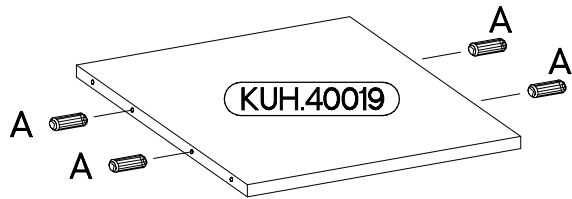
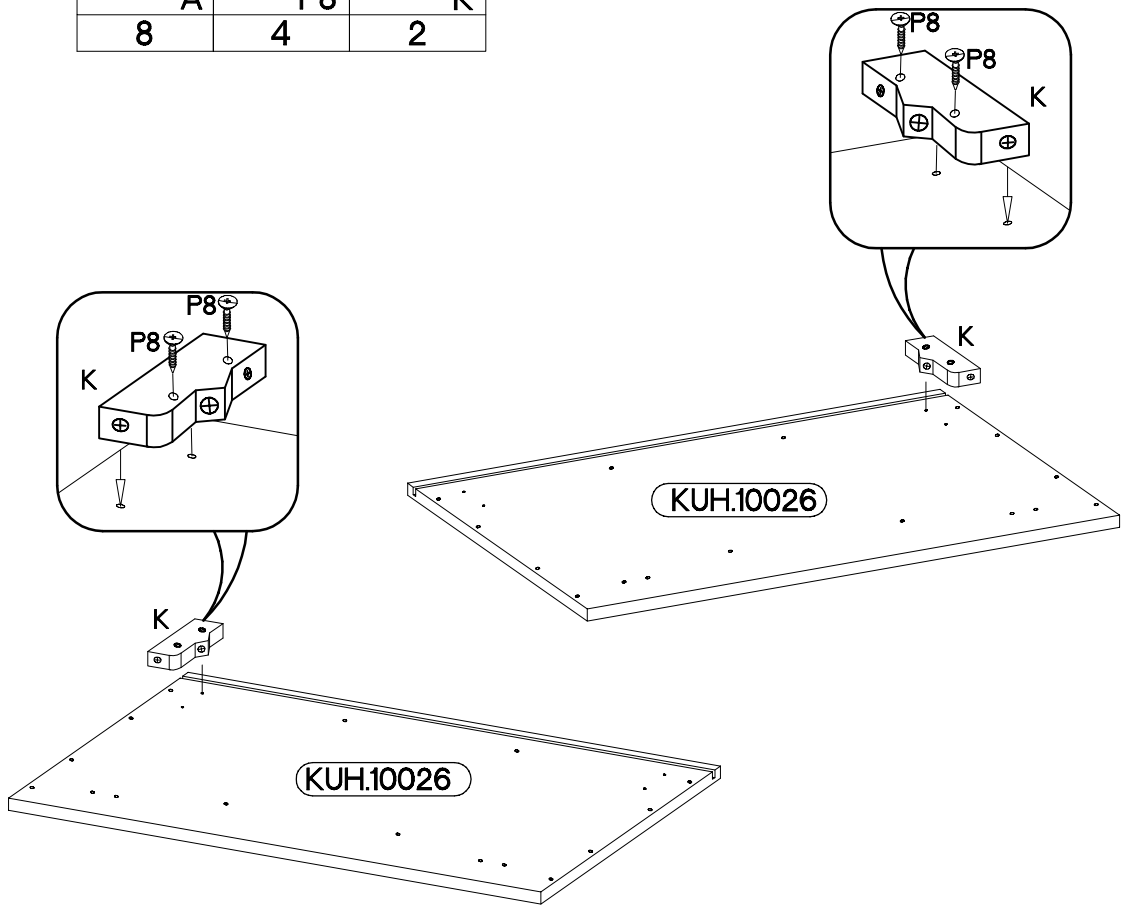
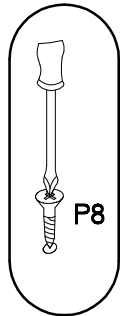
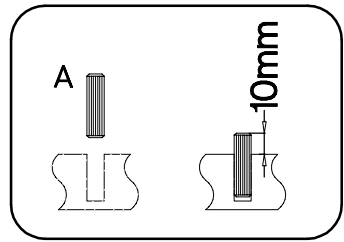
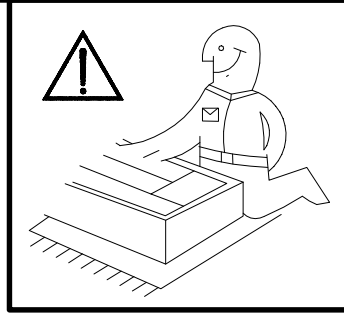
<p>8x30mm</p> <p>A</p>	<p>6,4 x 50mm</p> <p>B</p>	<p>E1</p>	<p>35/0mm</p> <p>HG</p>	<p>5/19mm</p> <p>J</p>	<p>K</p>
8	8	8	2	8	2
<p>O</p>	<p>3.5x13mm</p> <p>P5</p>	<p>3.0x20mm</p> <p>P7</p>	<p>4.0x30mm</p> <p>P8</p>	<p>4.0x30mm</p> <p>R2</p>	<p>S15</p>
1	4	8-10	4	2	1



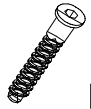
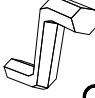

ISM-KUH-00998

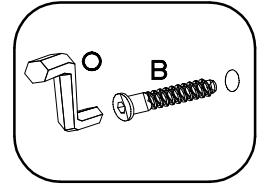
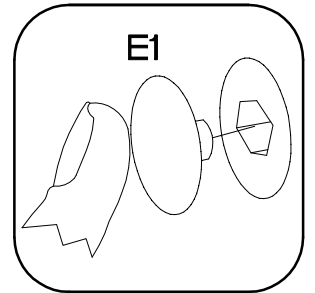
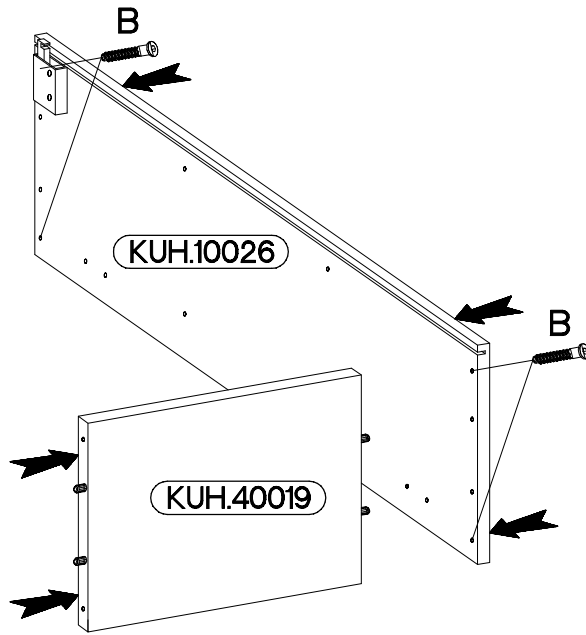
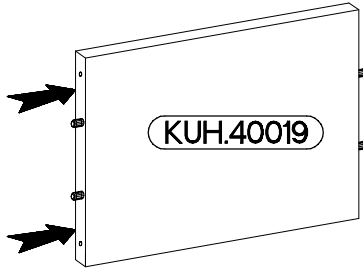
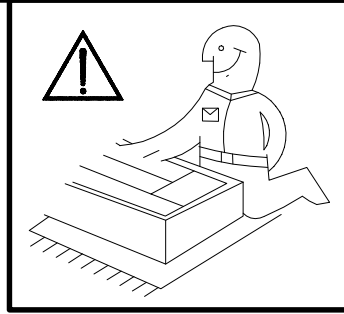
1

$\pm 8 \times 30 \text{mm}$  A 8	$\pm 4.0 \times 30 \text{mm}$  P8 4	 K 2
---	--	--


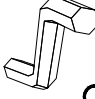



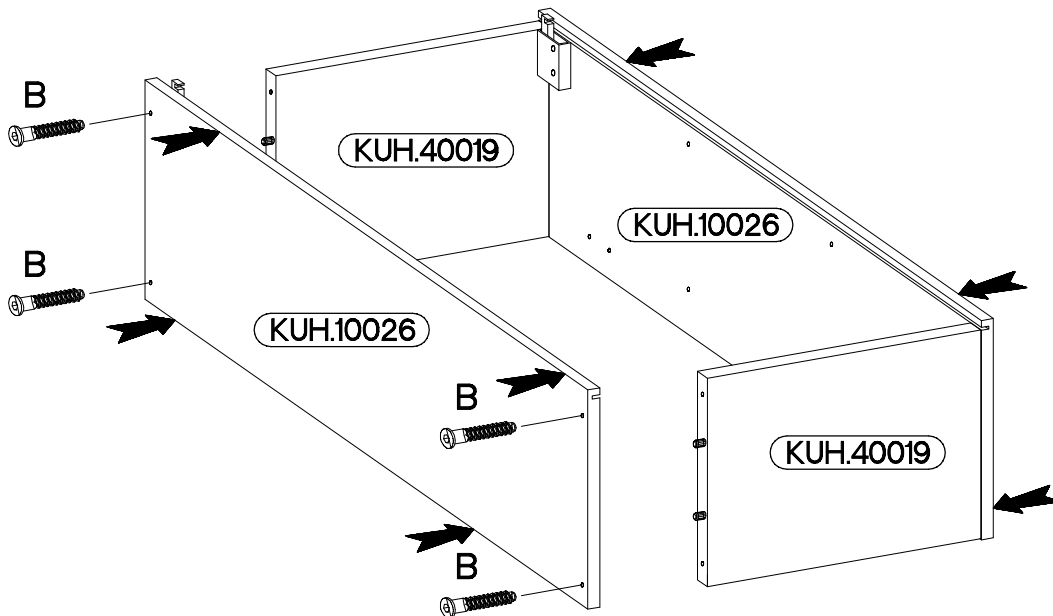
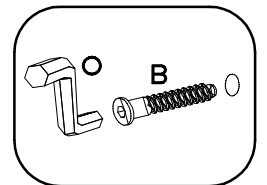
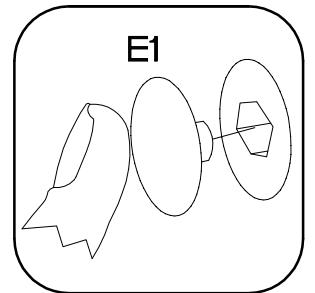
2

6,4 x 50mm		
		
B	O	E1
4	1	4

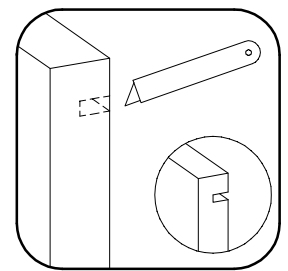
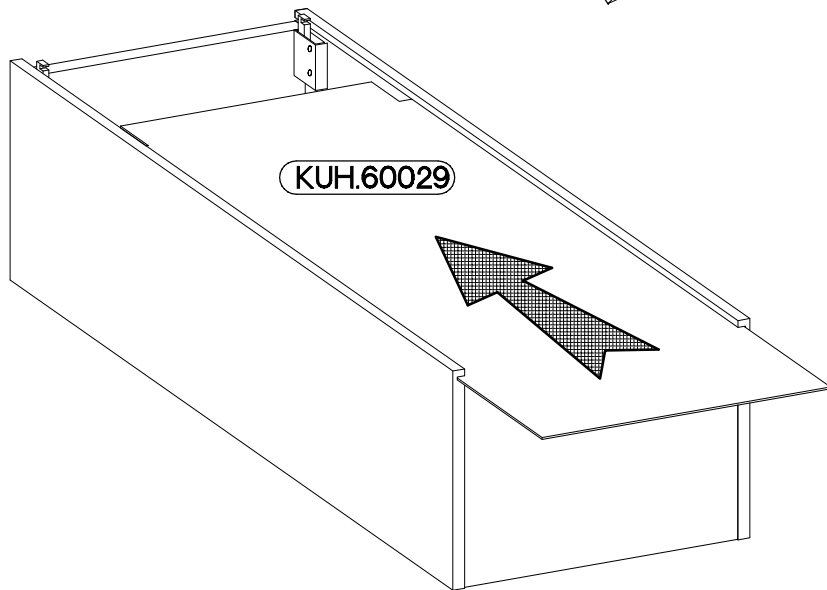
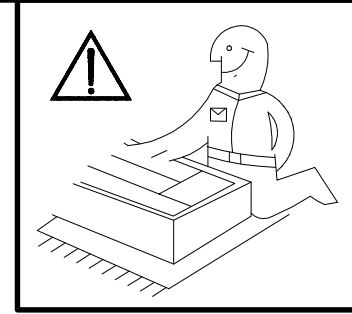
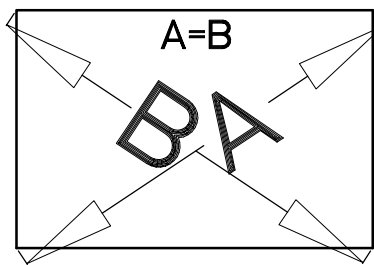


3

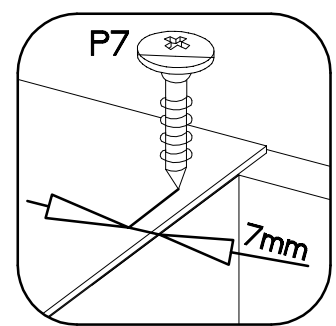
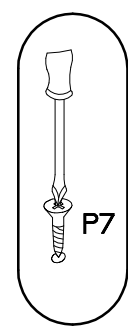
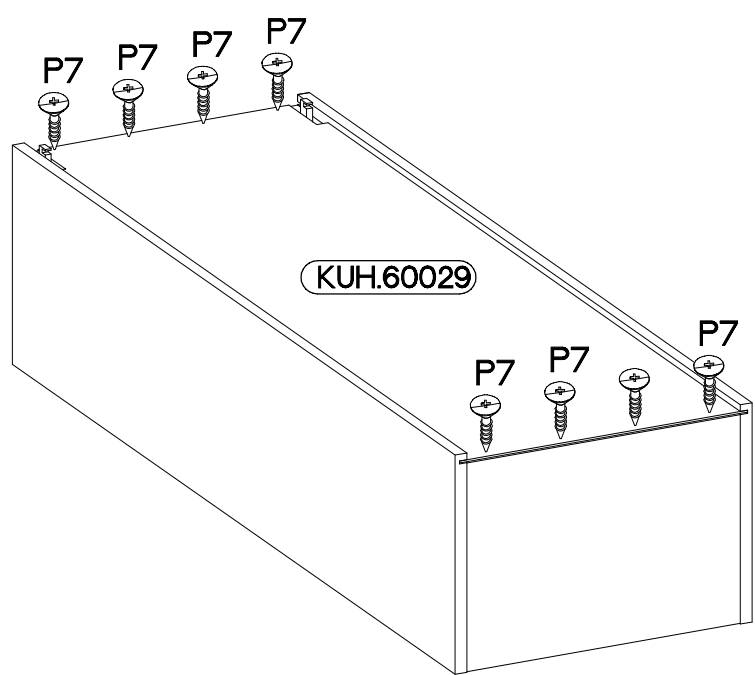
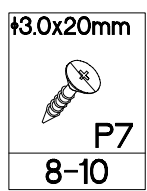
6,4 x 50mm		
		
B	O	E1
4	1	4



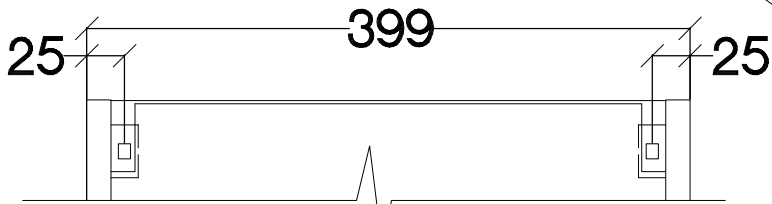
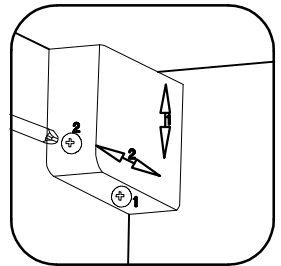
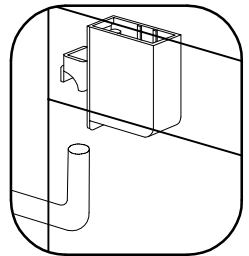
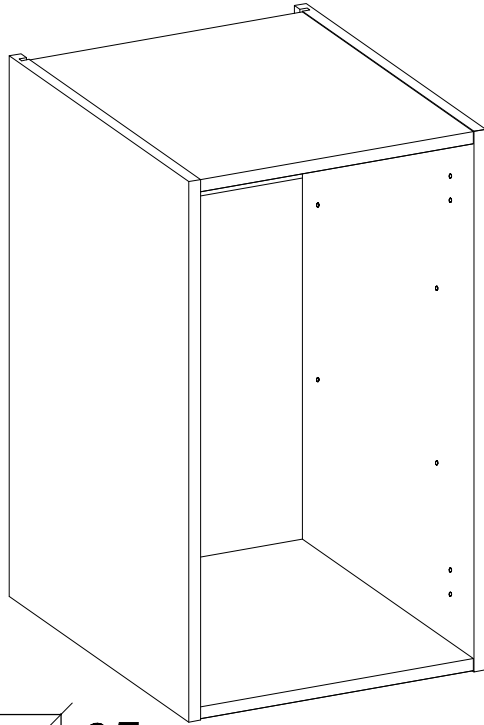
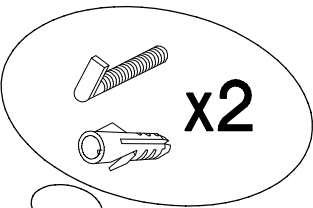
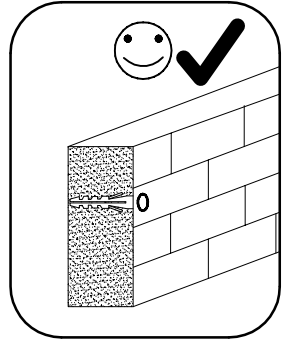
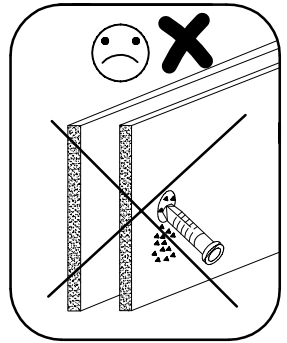
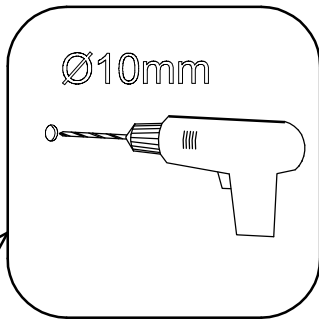
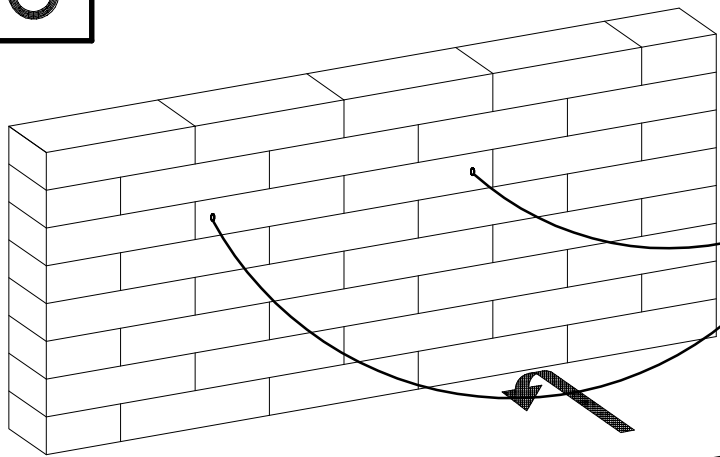
4



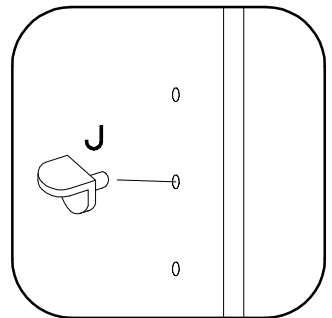
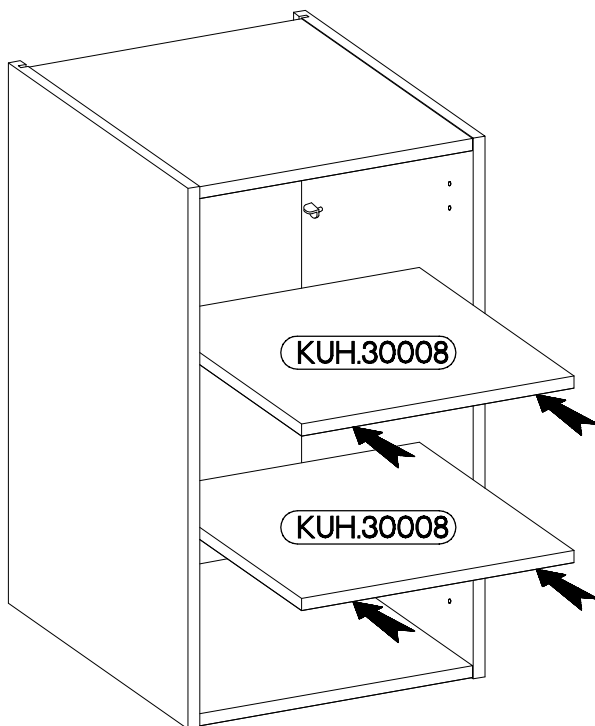
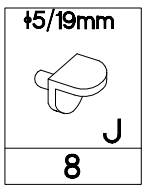
5



6



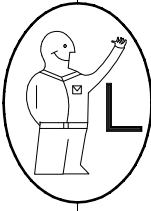
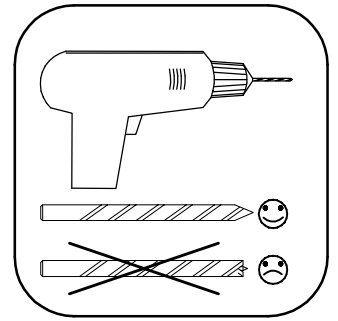
7



8

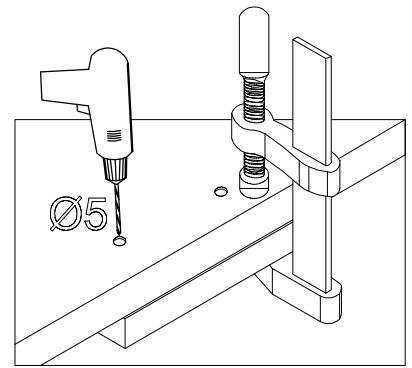
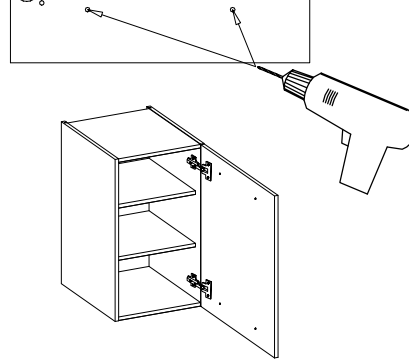
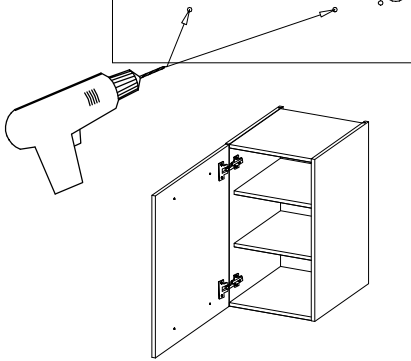
LEFT

RIGHT



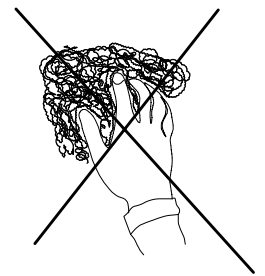
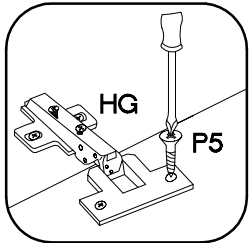
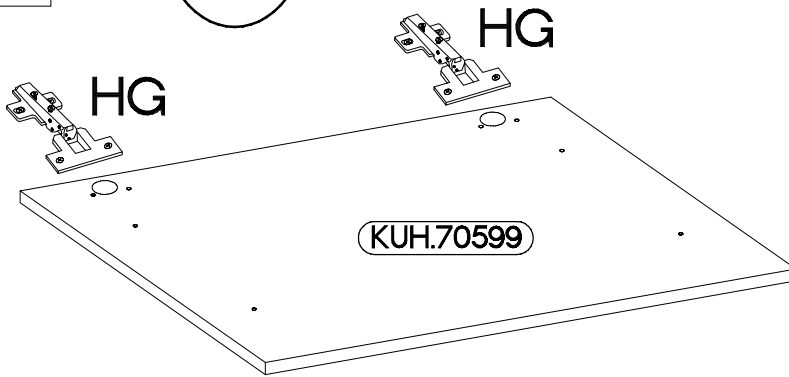
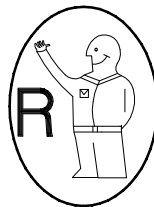
KUH.70599

KUH.70599

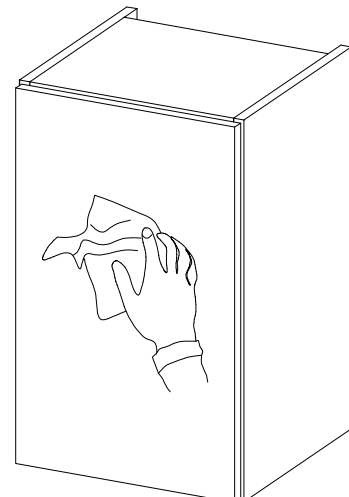
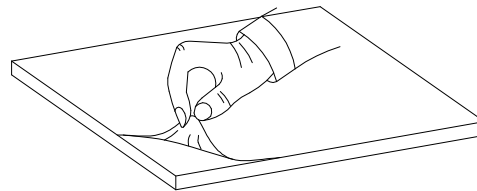
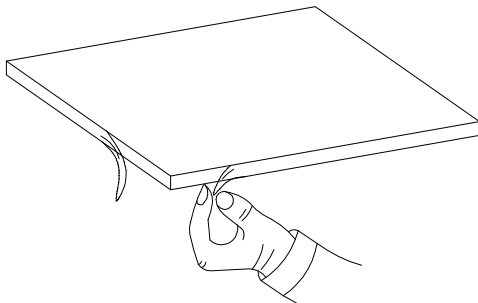




9

±35/0mm HG 2	±3.5x13mm P5 4
--------------------	----------------------



VARIANT HIGH GLOSS



4.0x30mm		
	R2	S15
	2	1

