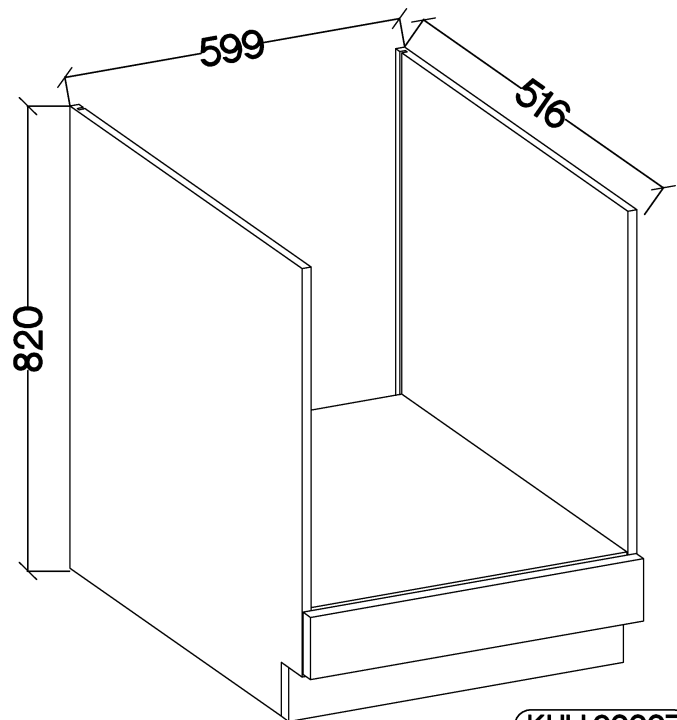
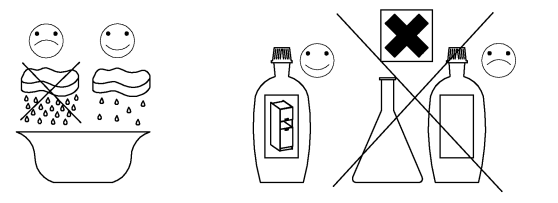
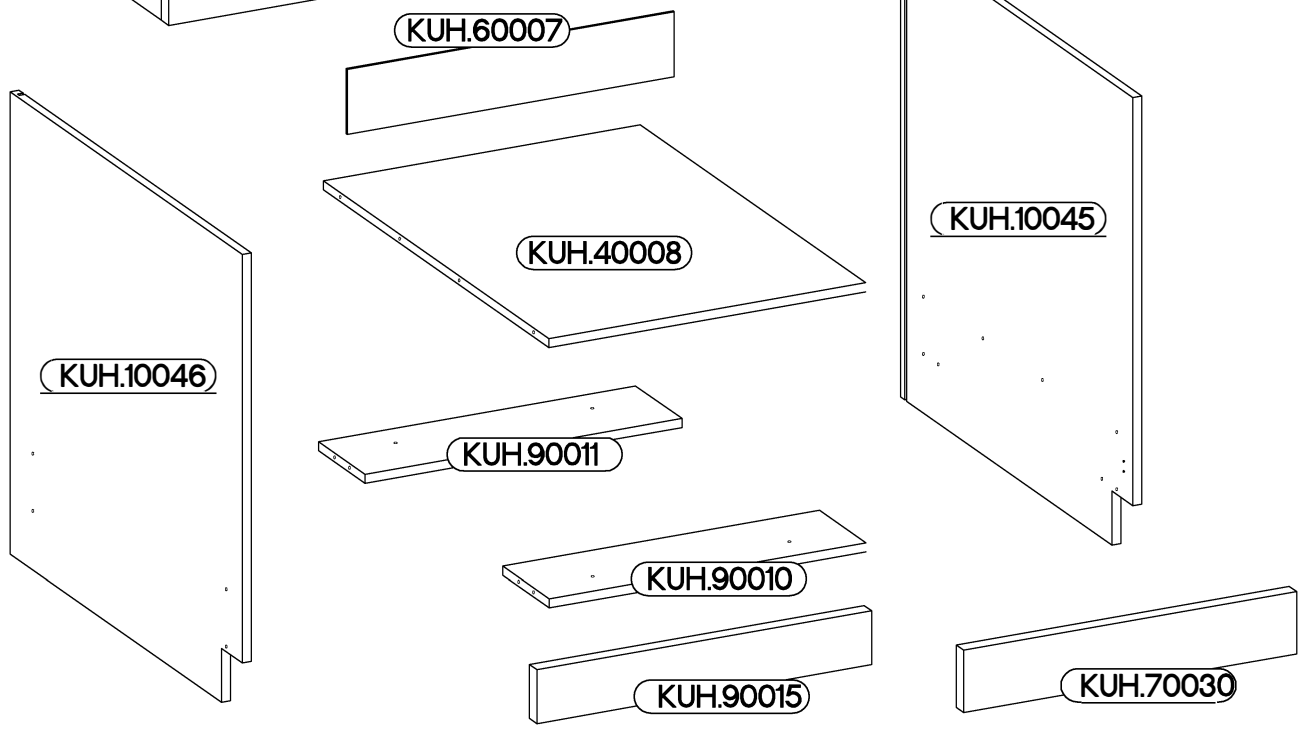
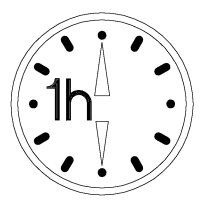


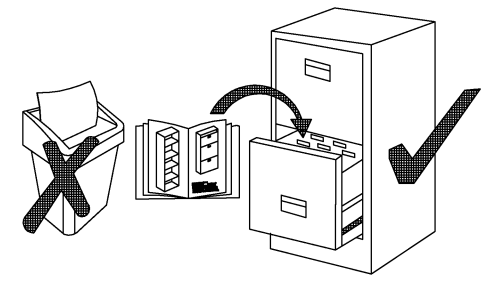
60 D GAZ BB VIRION



KUH.40008

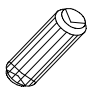
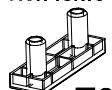




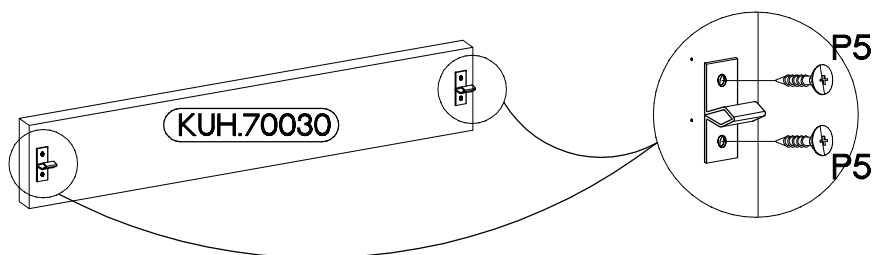
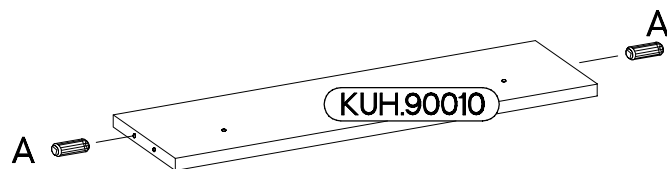
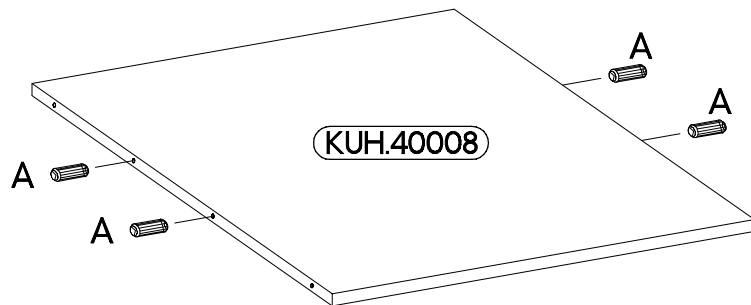
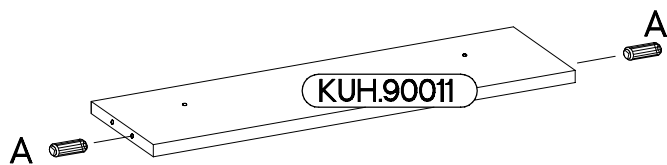
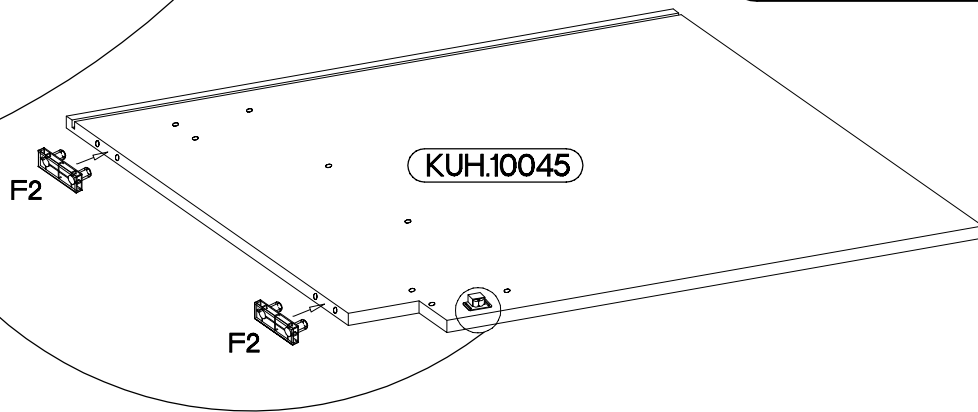
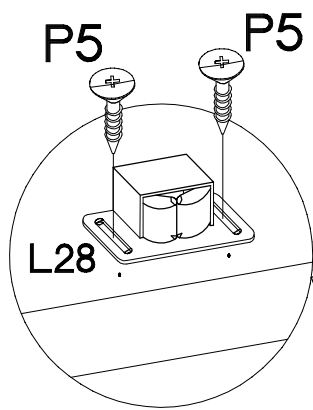
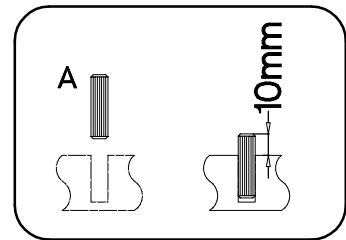
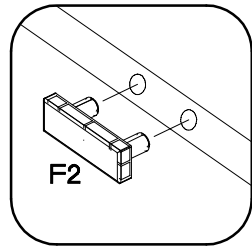
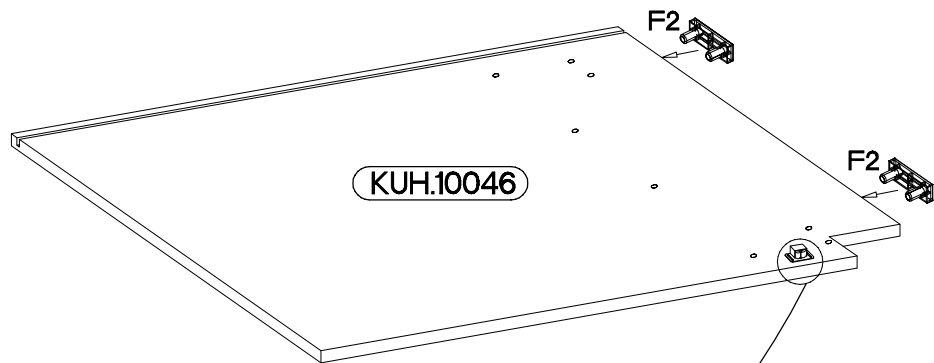
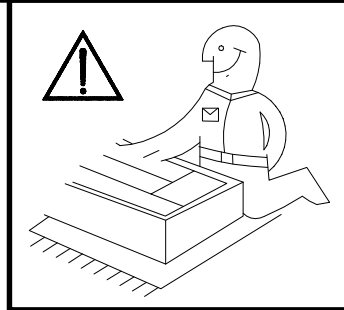
±8x30mm A 8	6,4 x 50mm B 8	 E1 8	 E9 2	6.5x48x16 F2 4
 L28 2	 O 1	±4.0x45mm P4 2	±3.5x13mm P5 8	±3.0x20mm P7 8-10



ISM-KUH-00978

1

$\varnothing 8 \times 30 \text{mm}$  A 8	$6.5 \times 48 \times 16$  F2 4	 L28 2	$\varnothing 3.5 \times 13 \text{mm}$  P5 8
---	--	--	--



2

6,4 x 50mm



B

2



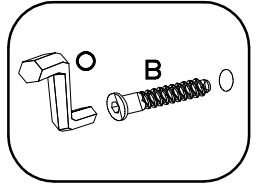
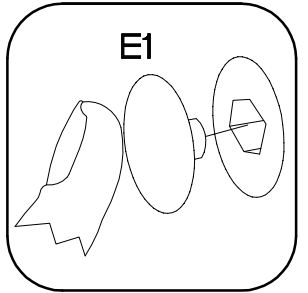
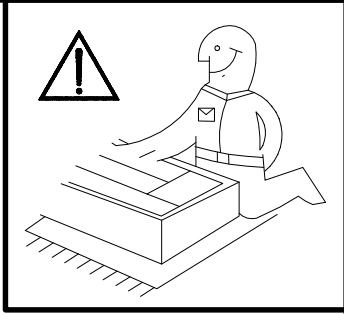
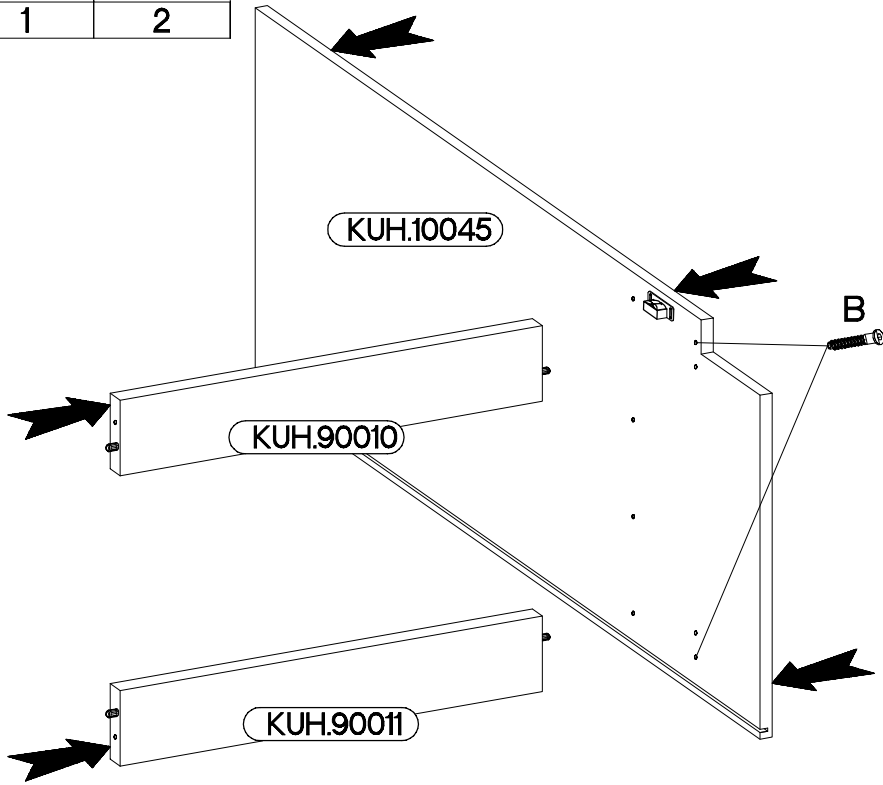
O

1



E1

2



3

6,4 x 50mm



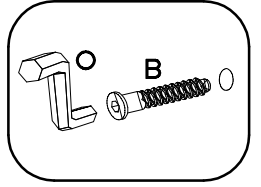
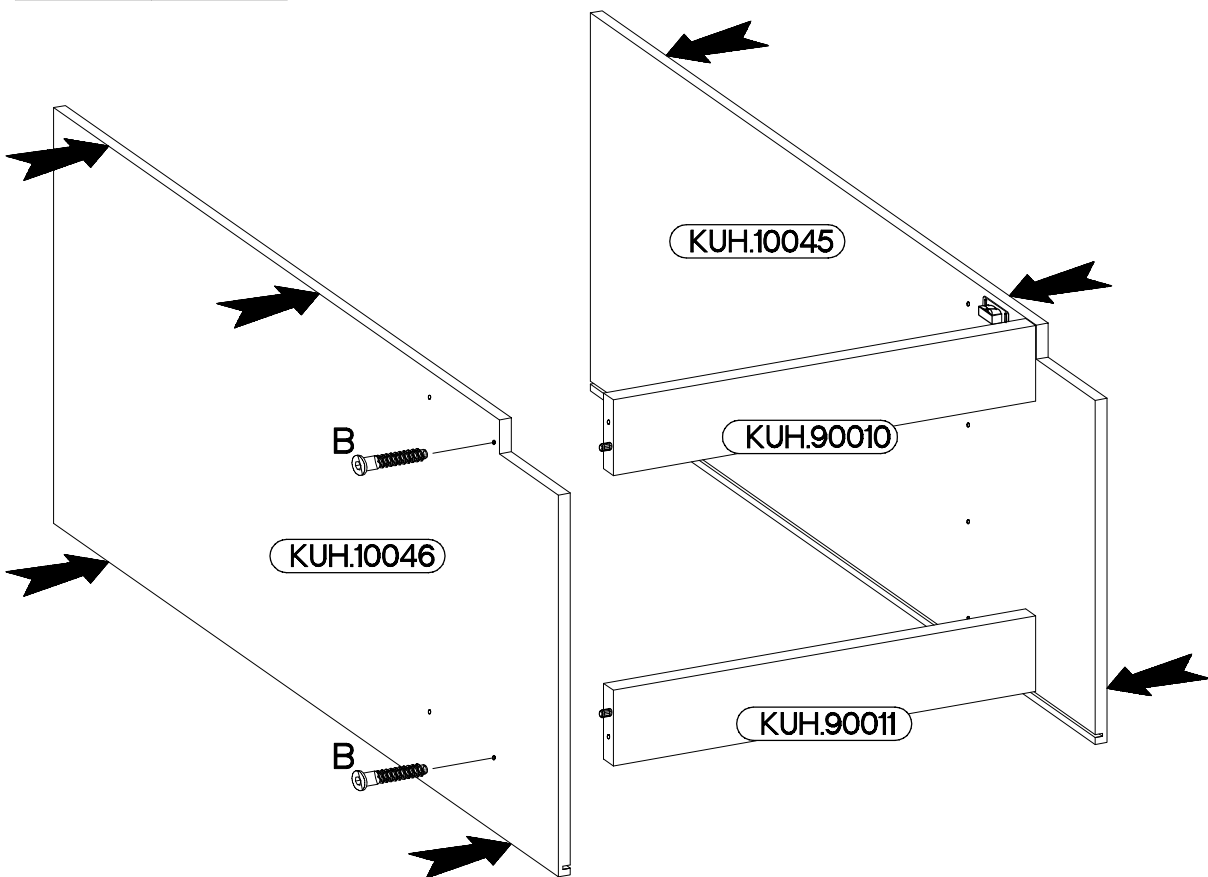
B

2




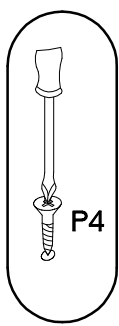
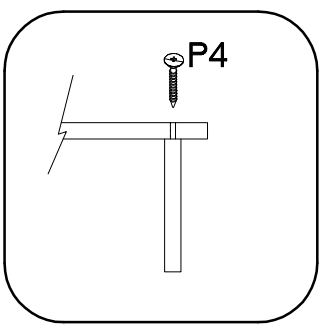
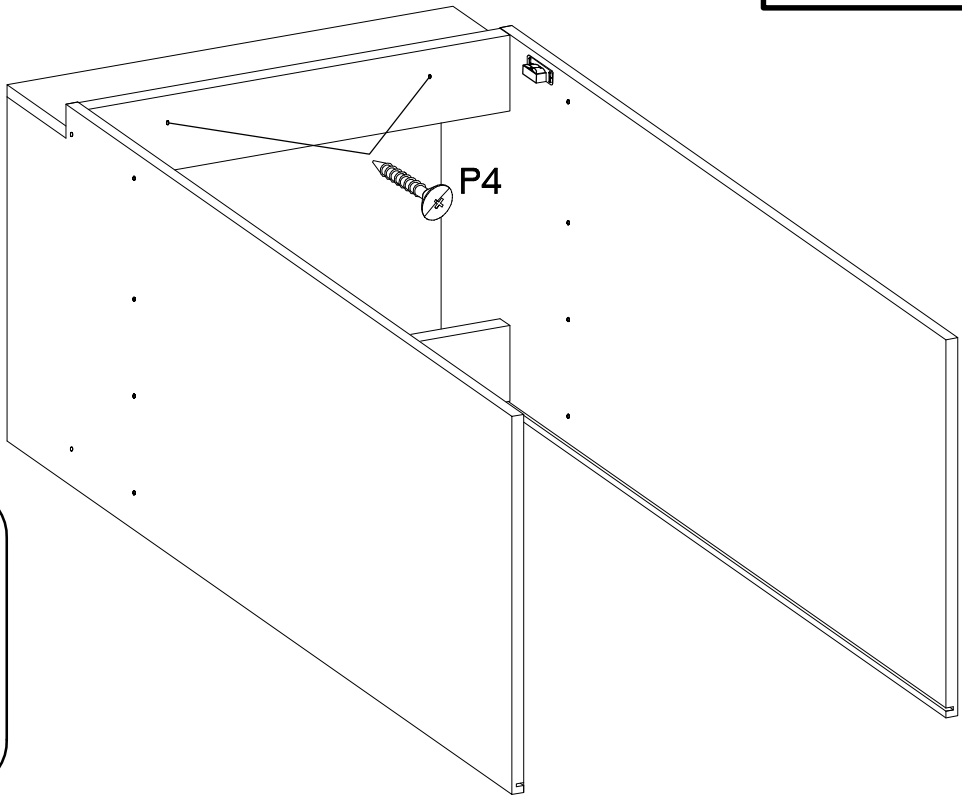
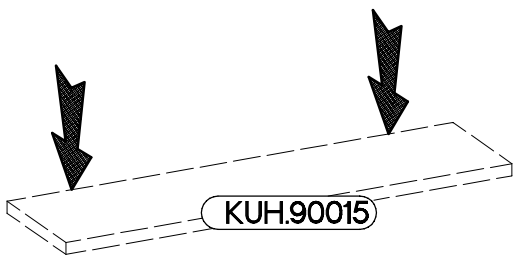
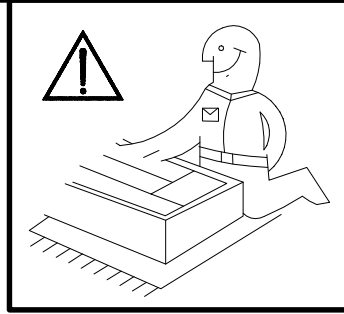
O

1

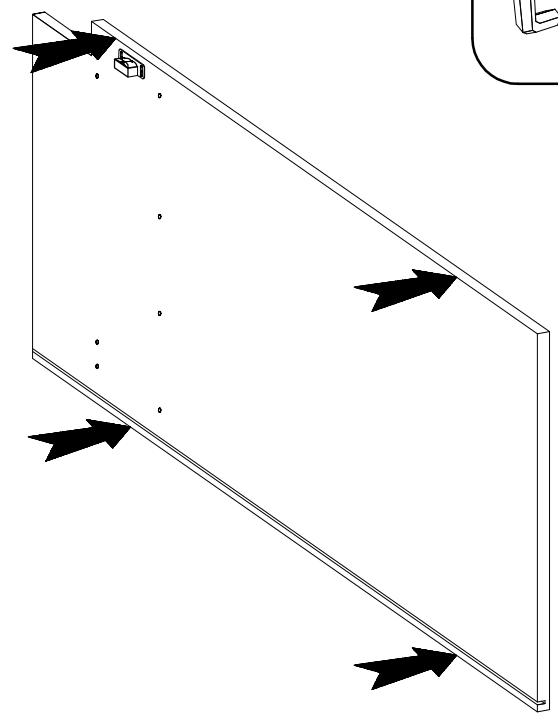
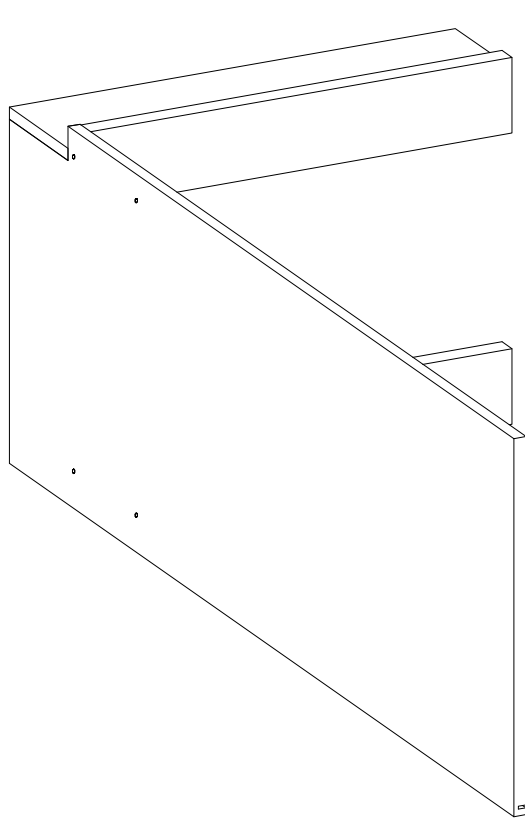
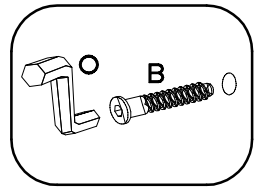


4

	$\pm 4.0 \times 45 \text{mm}$
E9	P4
2	2

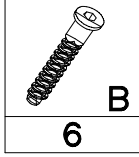


5



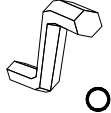
6

6,4 x 50mm



B

6



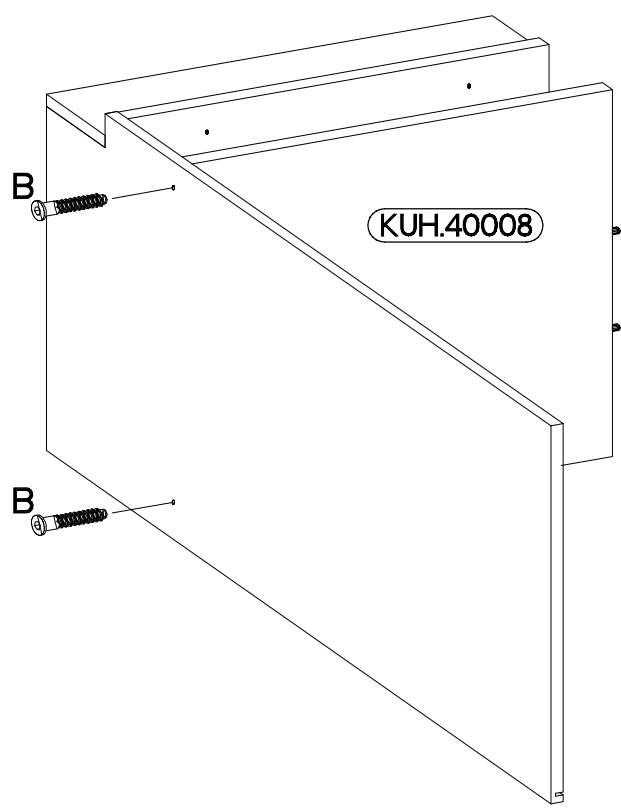
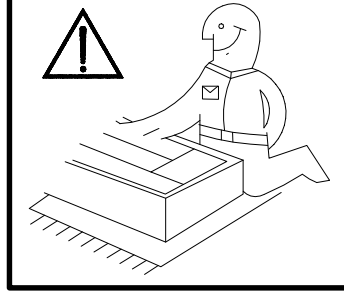
O

1

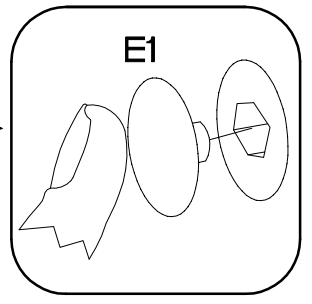
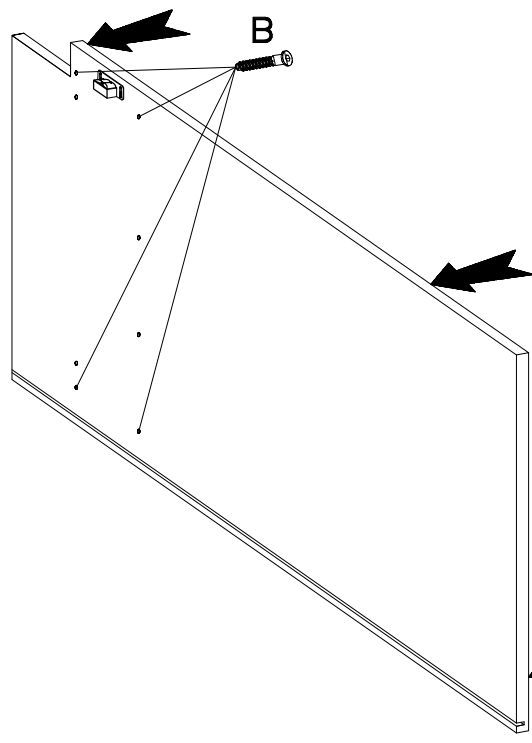


E1

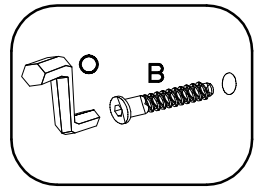
6



KUH.40008

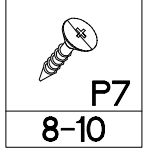


E1



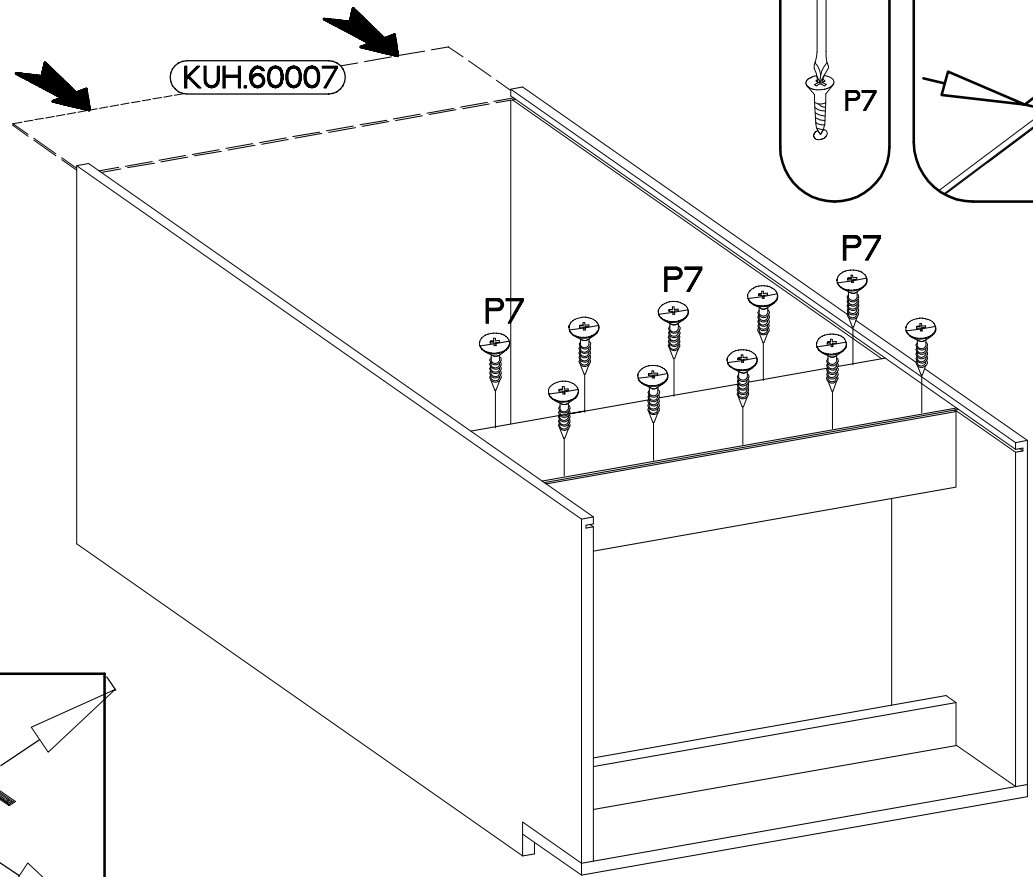
7

3.0x20mm

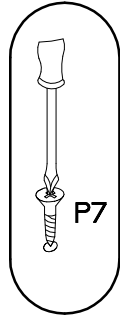


P7

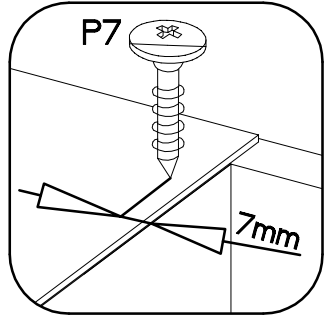
8-10



KUH.60007

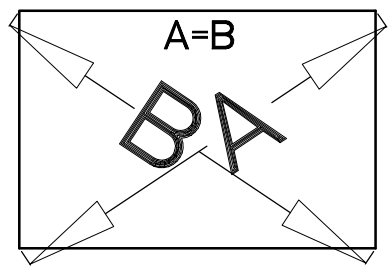


P7



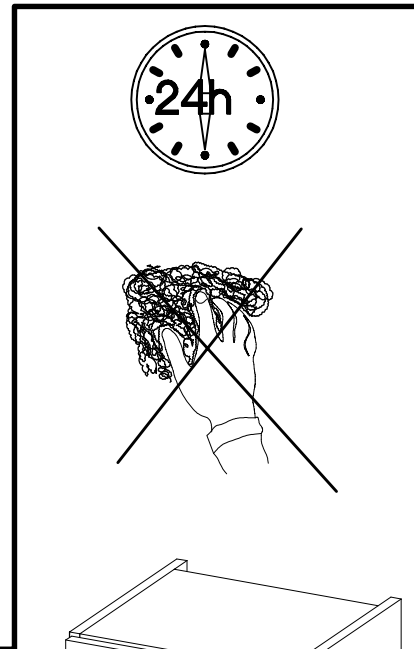
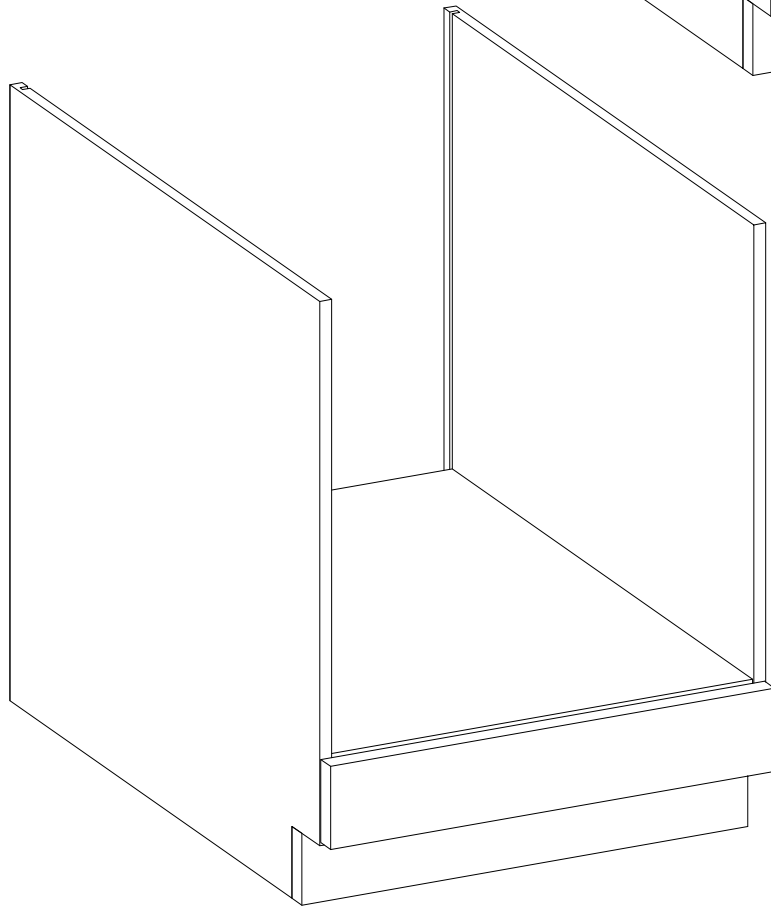
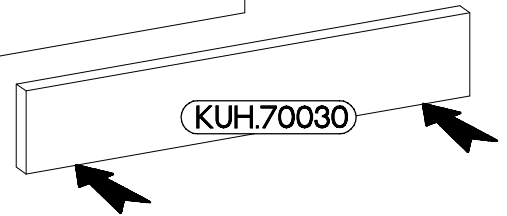
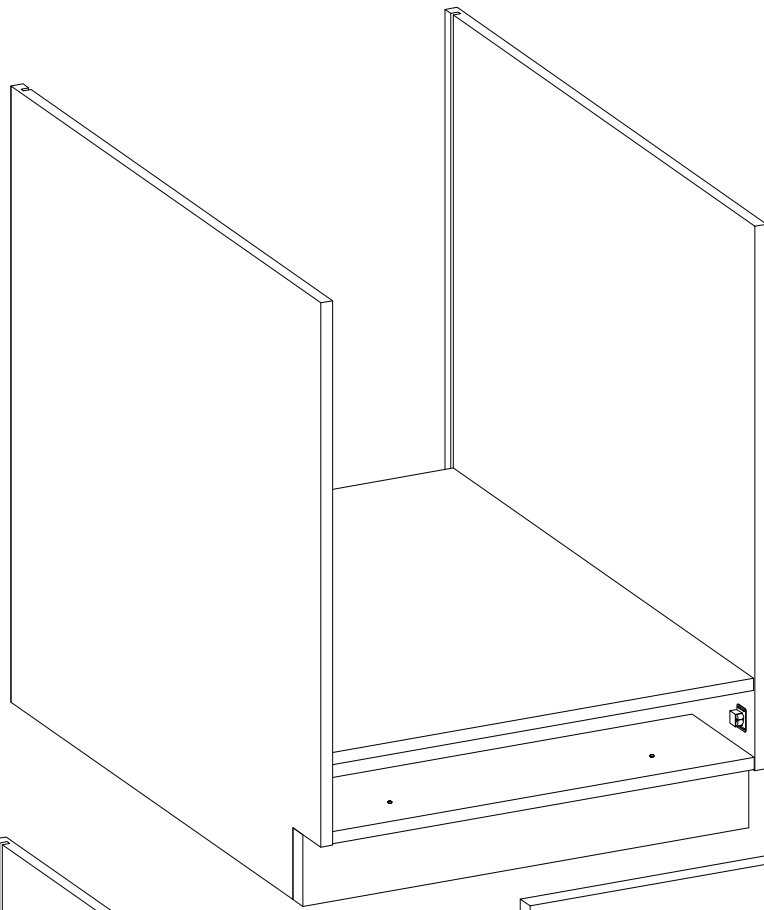
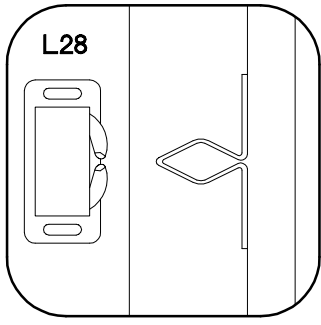
P7

7mm



A=B

BA



VARIANT HIGH GLOSS

