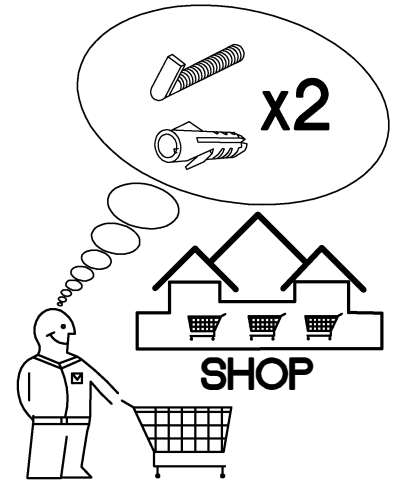
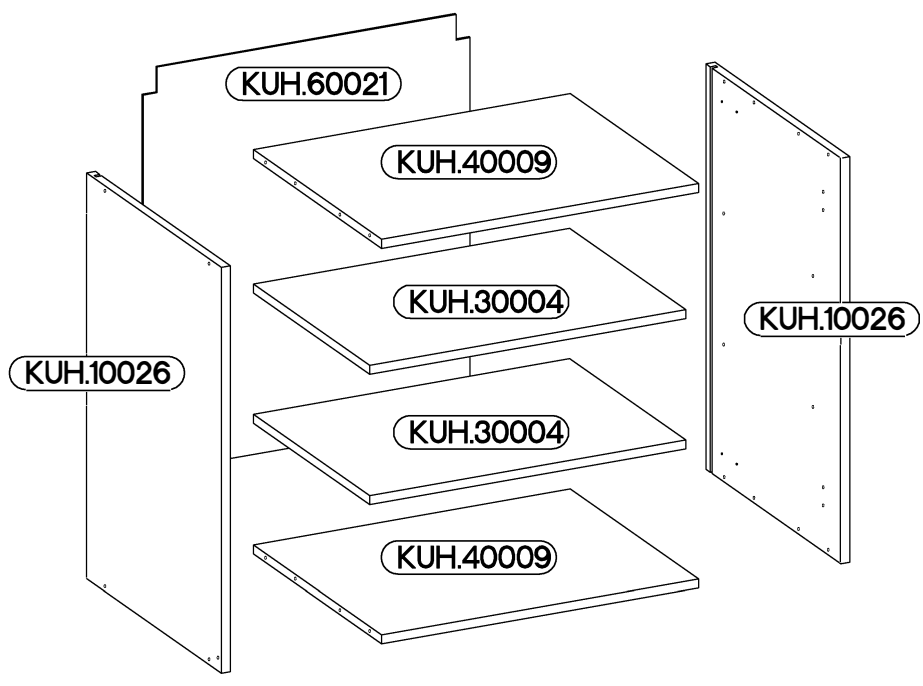
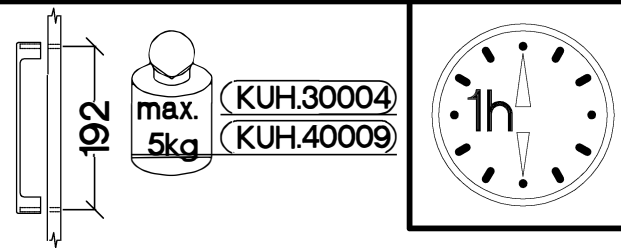
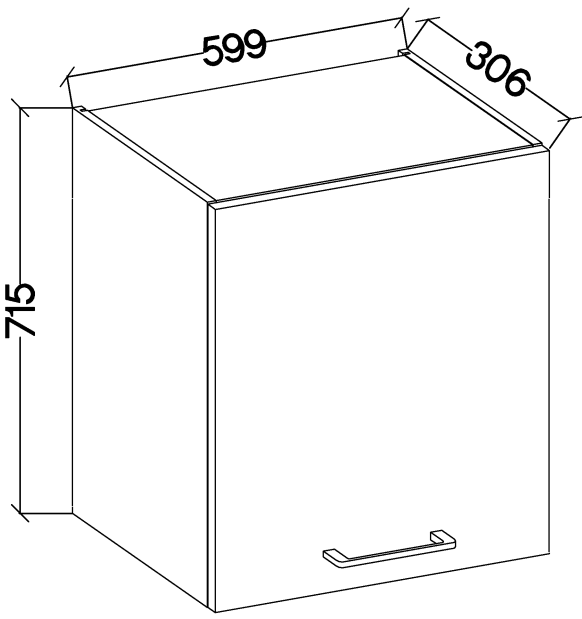
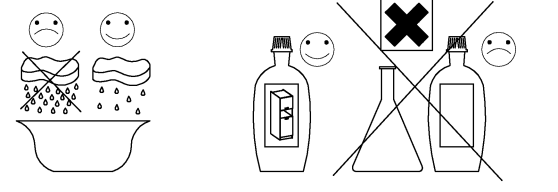
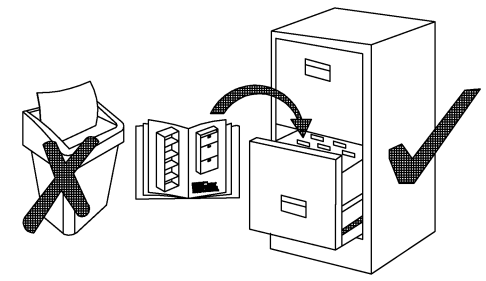


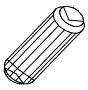
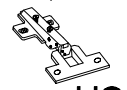

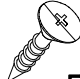
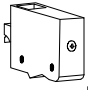
60 G-72 1F VIRION

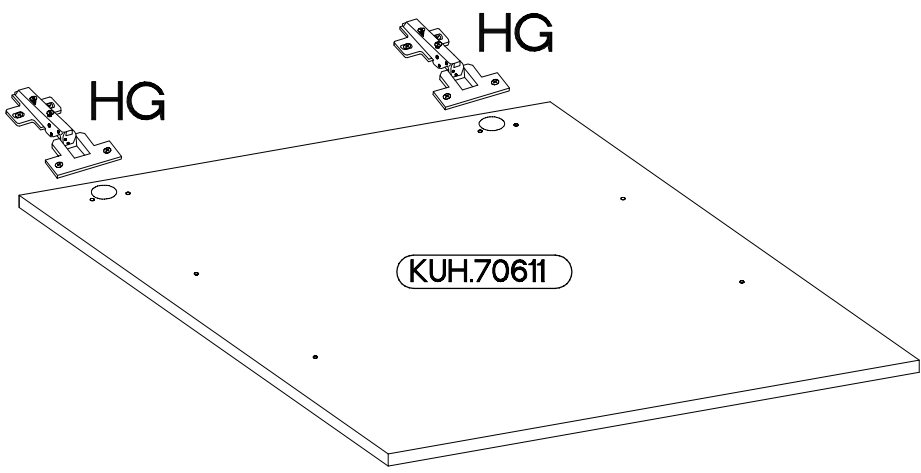
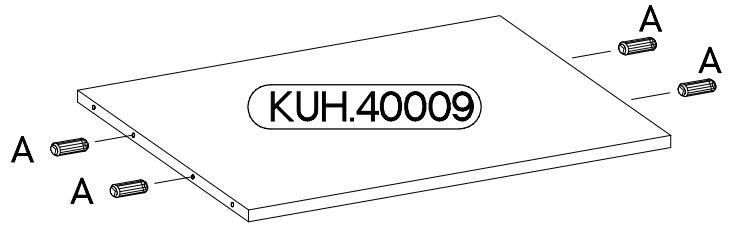
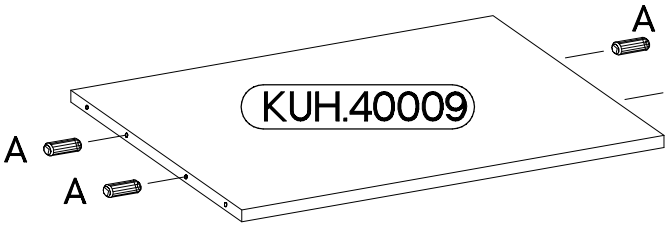
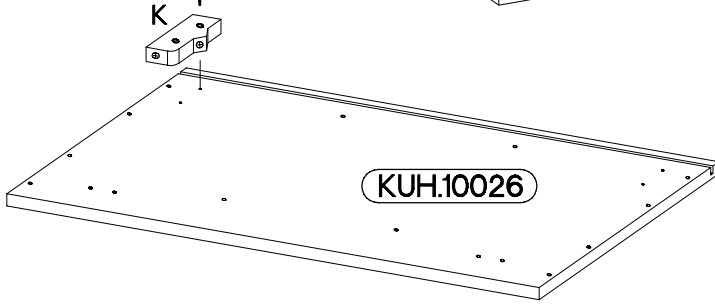
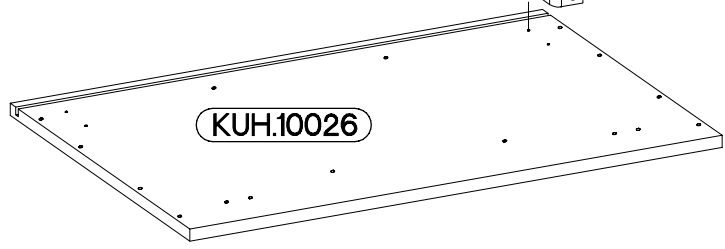
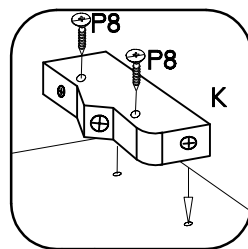
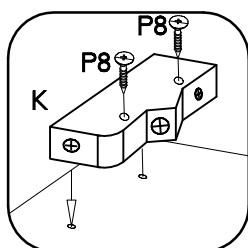
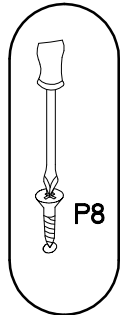
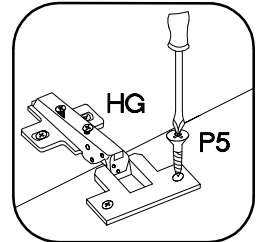
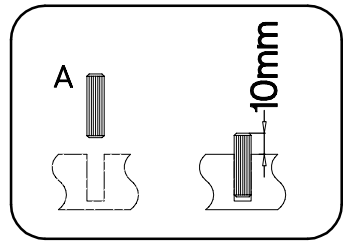
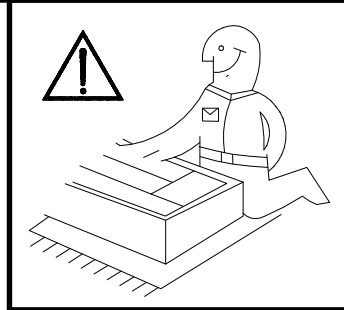


 A 8	 B 8	 E1 8	 HG 2	 J 8	 K 2
 O 1	 P5 4	 P7 8-10	 P8 4	 R2 2	 S15 1



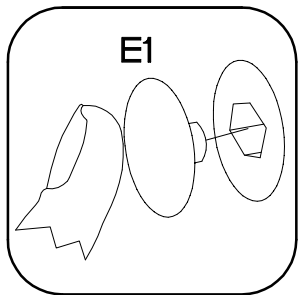
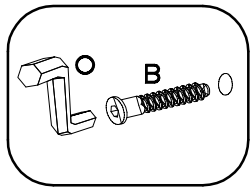
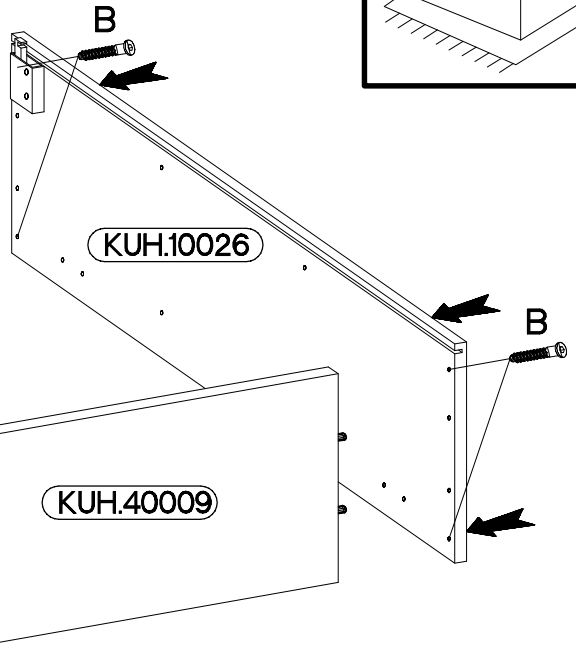
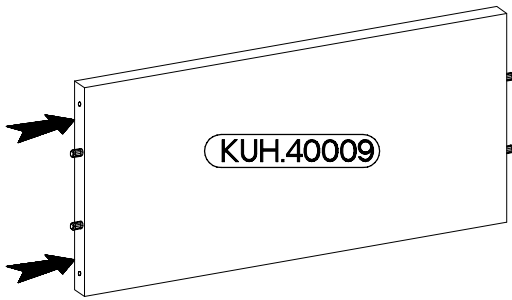
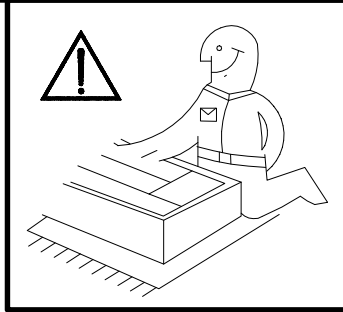
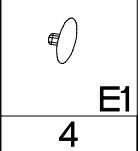
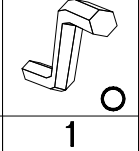
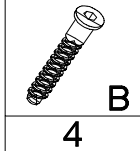
ISM-KUH-00977

±8x30mm  A 8	±35/0mm  HG 2	±3.5x13mm  P5 4	±4.0x30mm  P8 4	 K 2
---	--	--	--	--



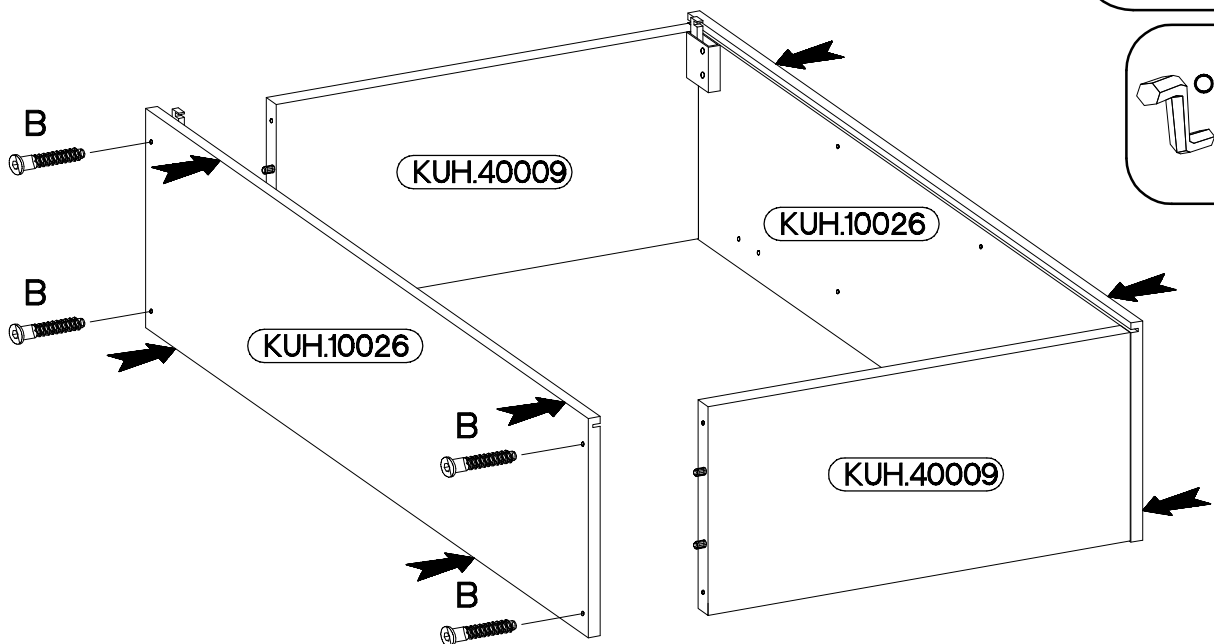
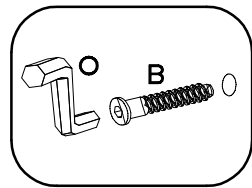
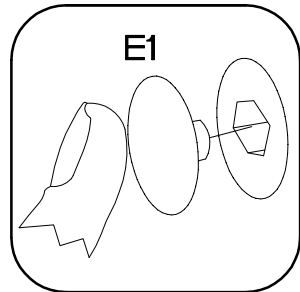
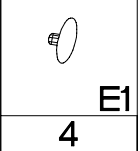
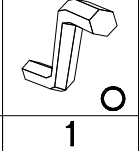
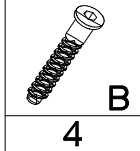
# 2

6,4 x 50mm

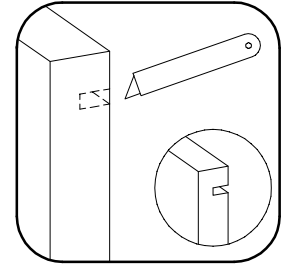
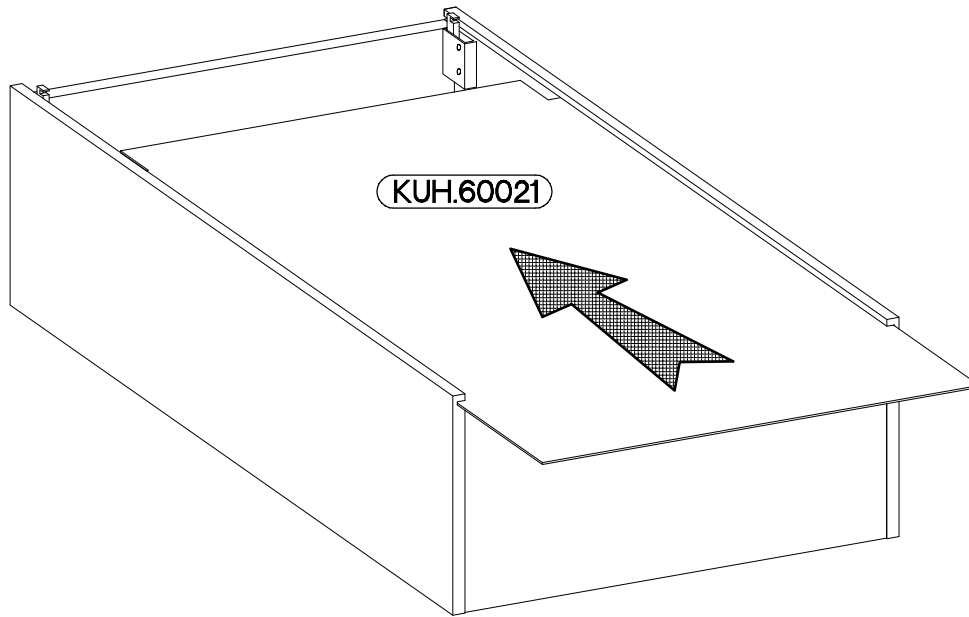
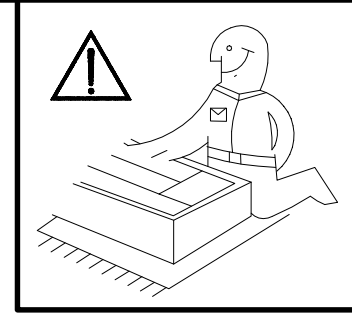
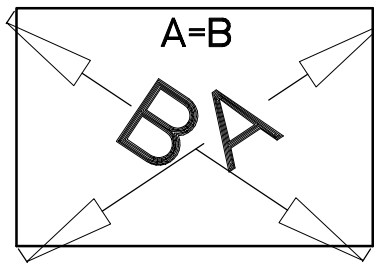


# 3

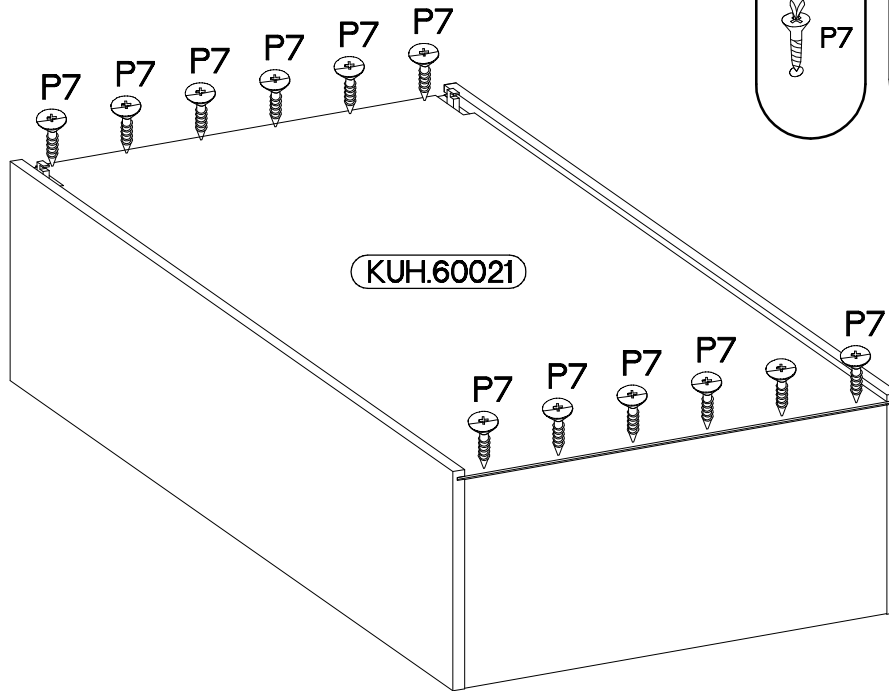
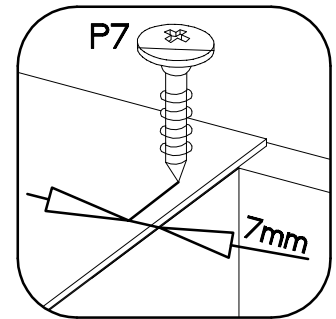
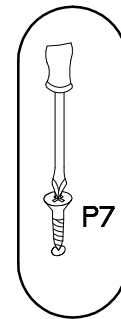
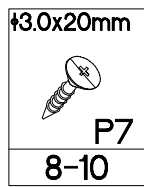
6,4 x 50mm

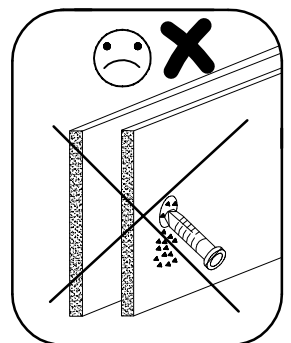
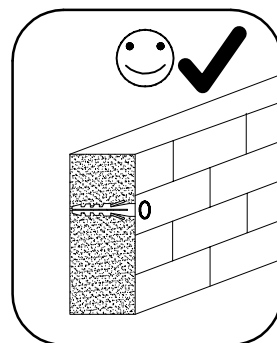
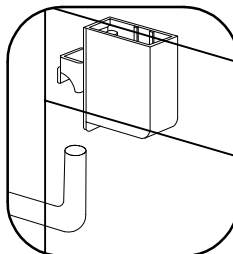
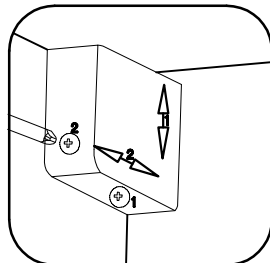
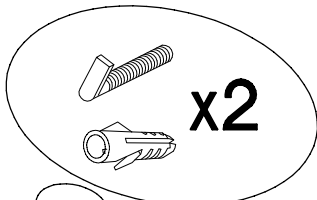
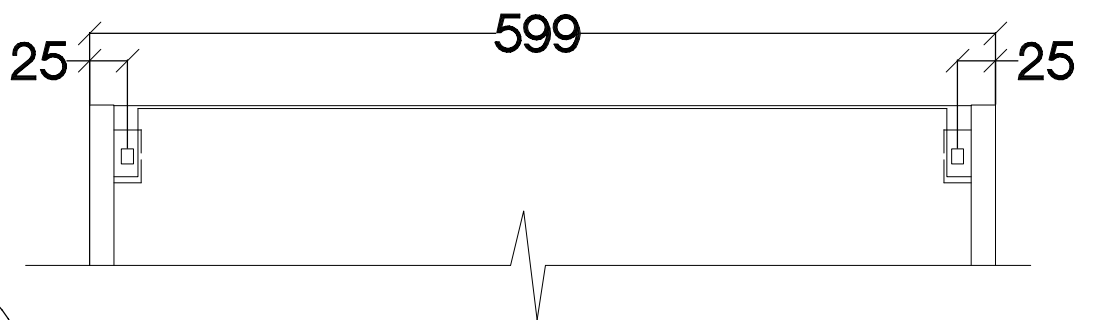
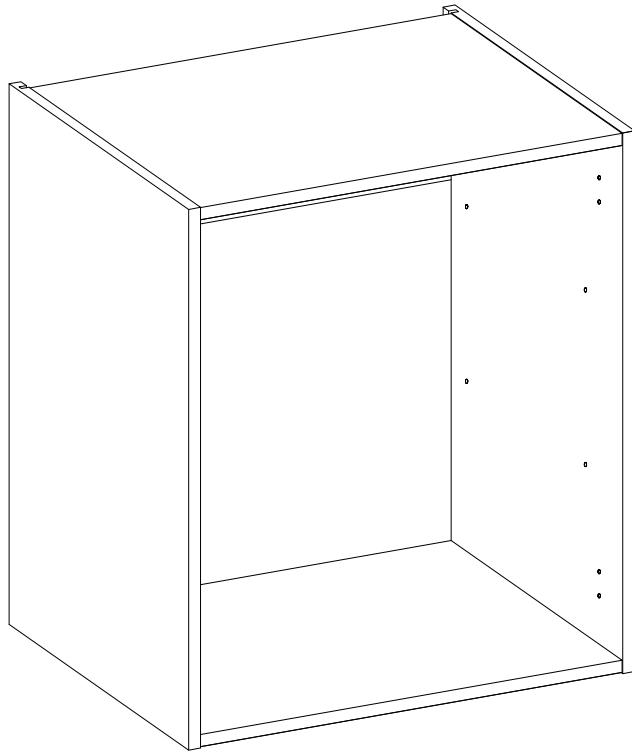
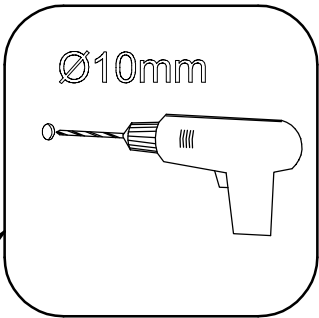
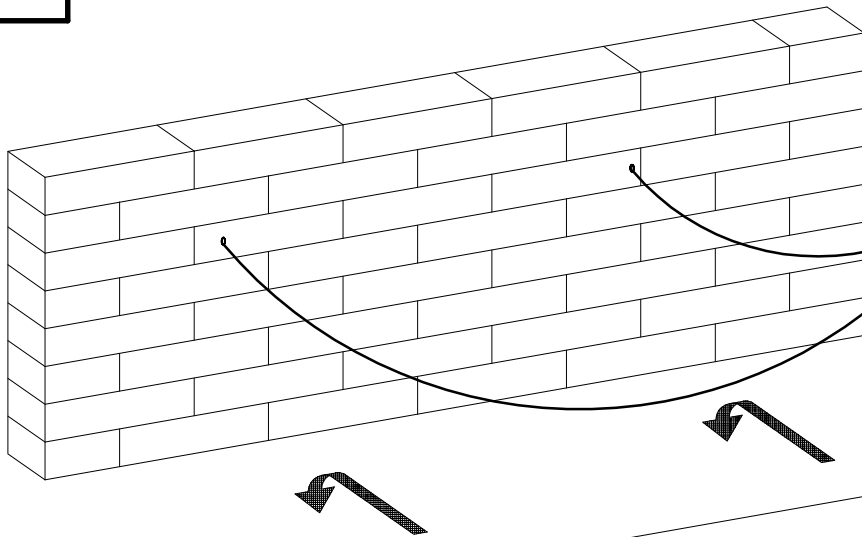


4



5



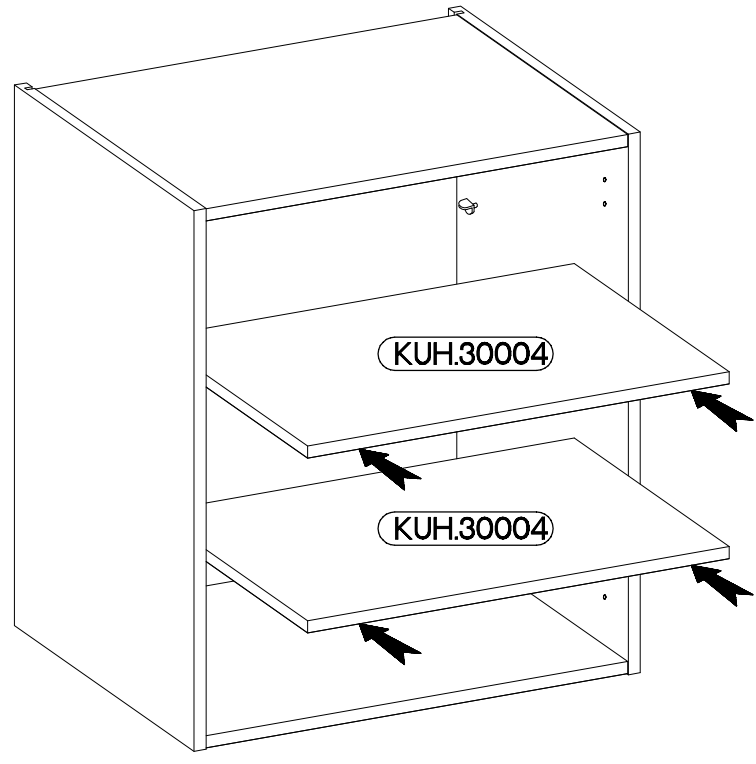
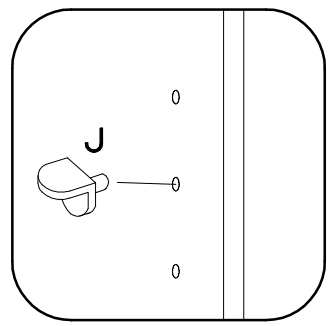


7

±5/19mm

J

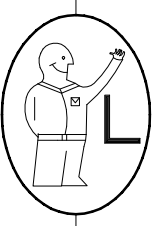
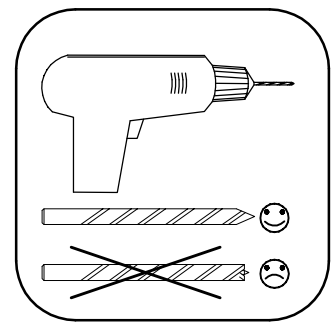
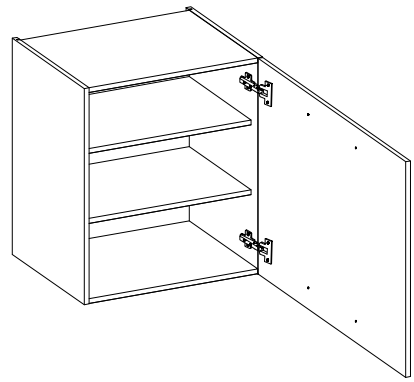
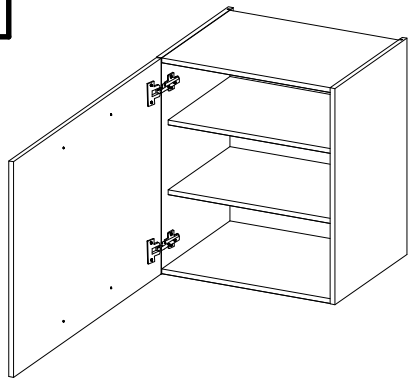
8



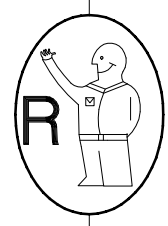
8

LEFT

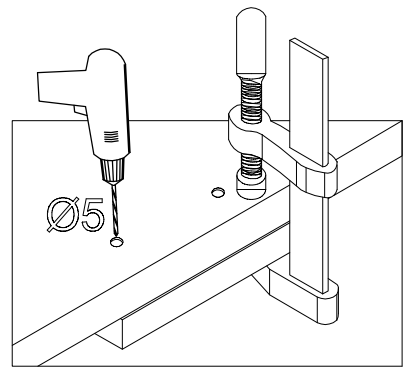
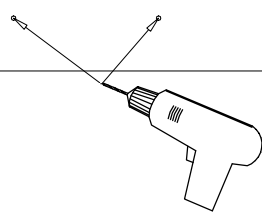
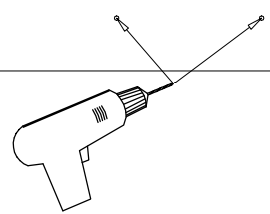
RIGHT



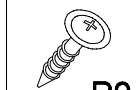
KUH.70611



KUH.70611

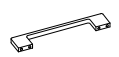


+4.0x30mm



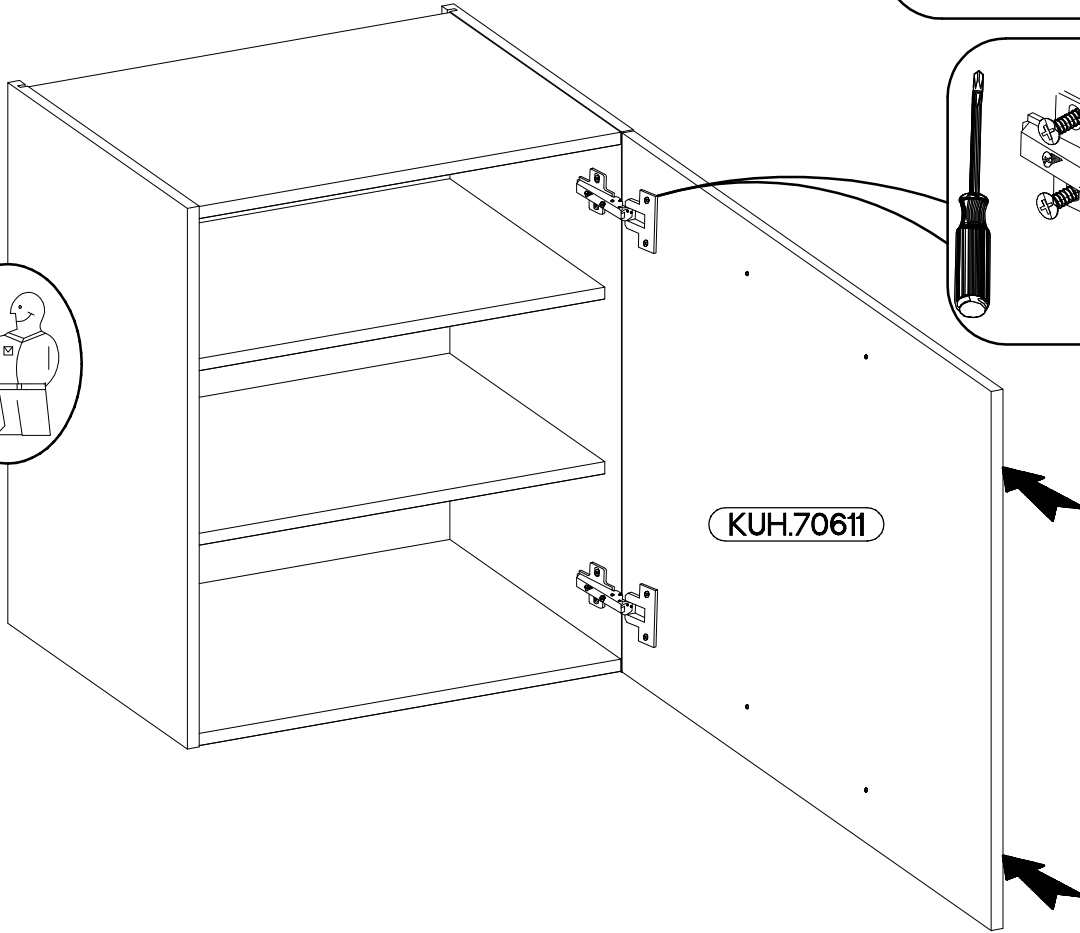
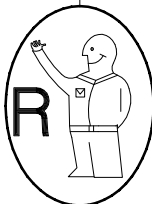
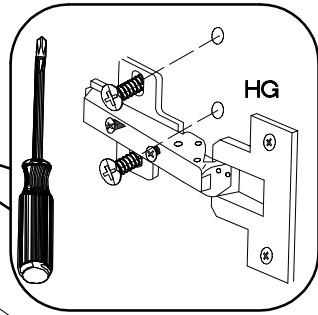
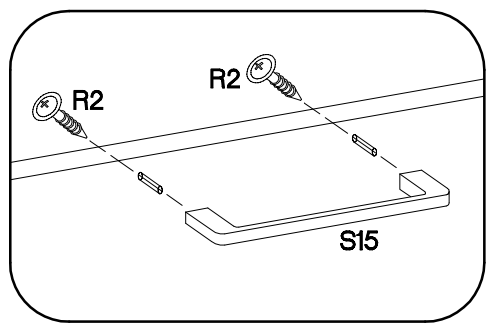
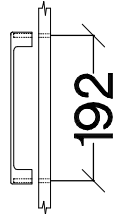
R2

2



S15

1



VARIANT HIGH GLOSS

