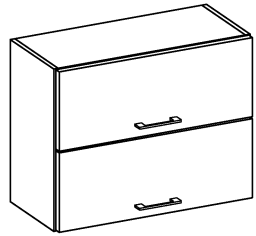







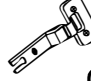
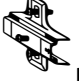


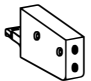

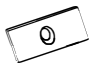

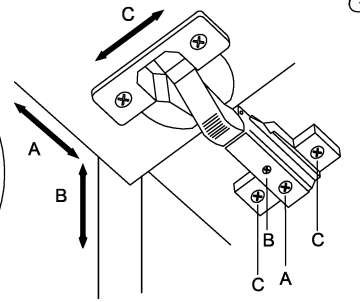
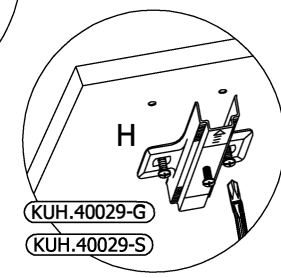
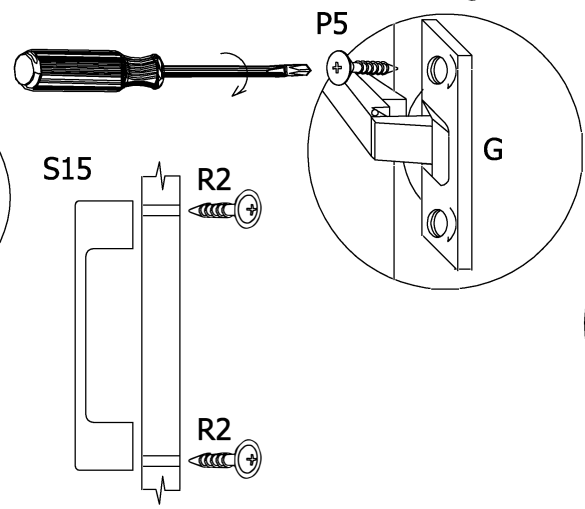
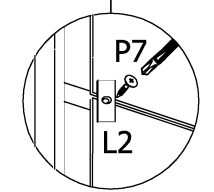
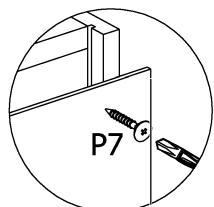
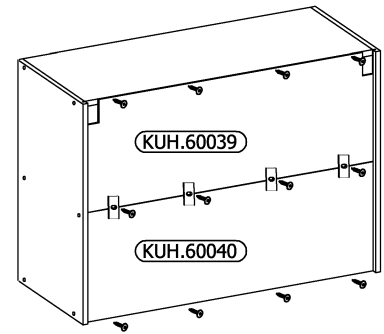
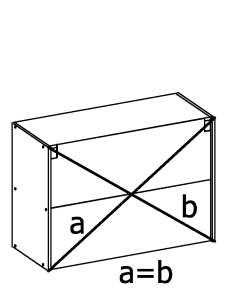
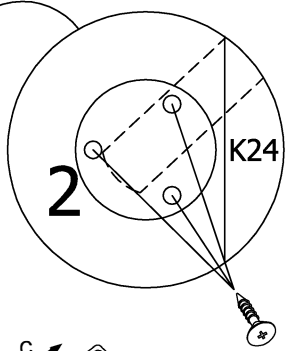
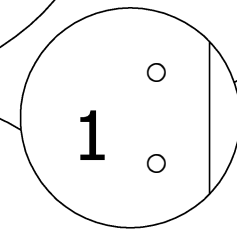
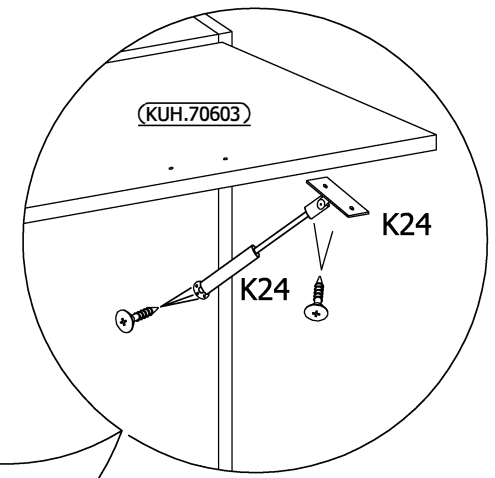
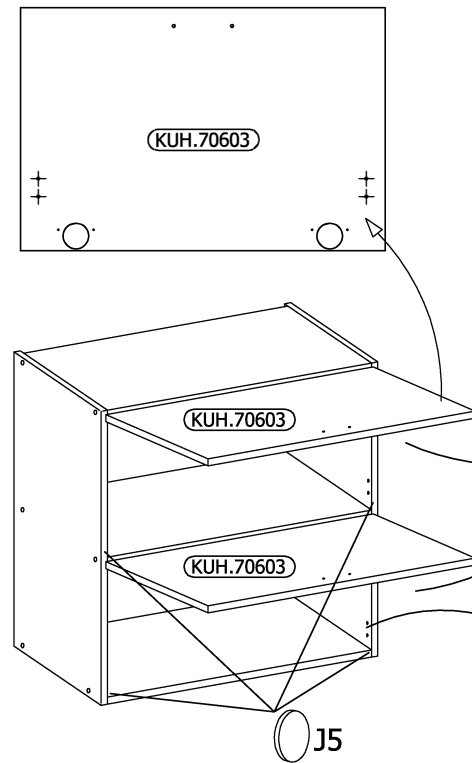
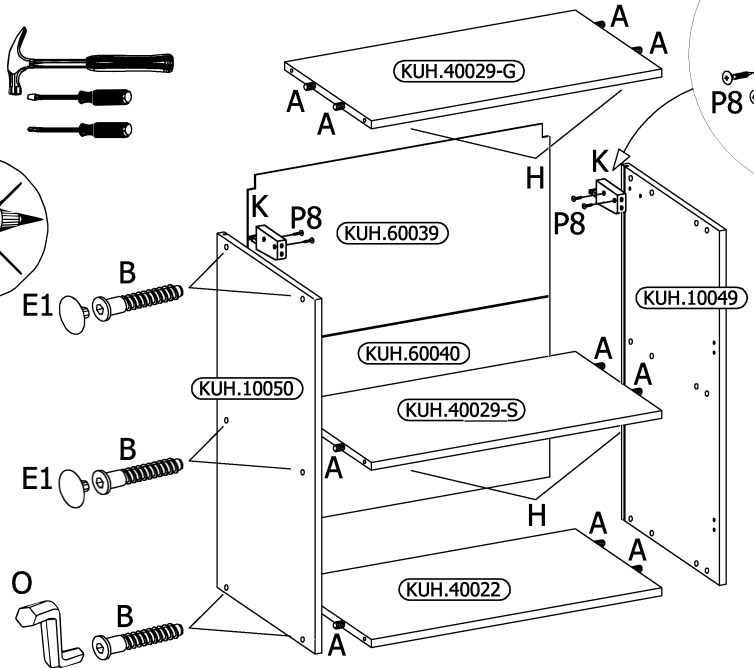
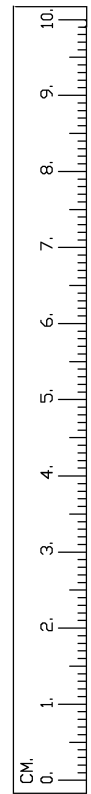
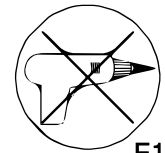
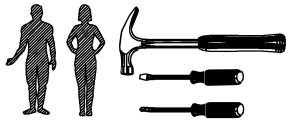


80 GU-72 2F VIRION



 B	 E1	 A	 O	 S15	 R2	 P7	 G	 H	 P5	 K24	 K	 P8
12	12	12	1	2	4	10-15	4	4	8	4	2	4
 L2	 J5											
4	4											



ISM-KUH-00764

80 GU-72 2F VIRION

