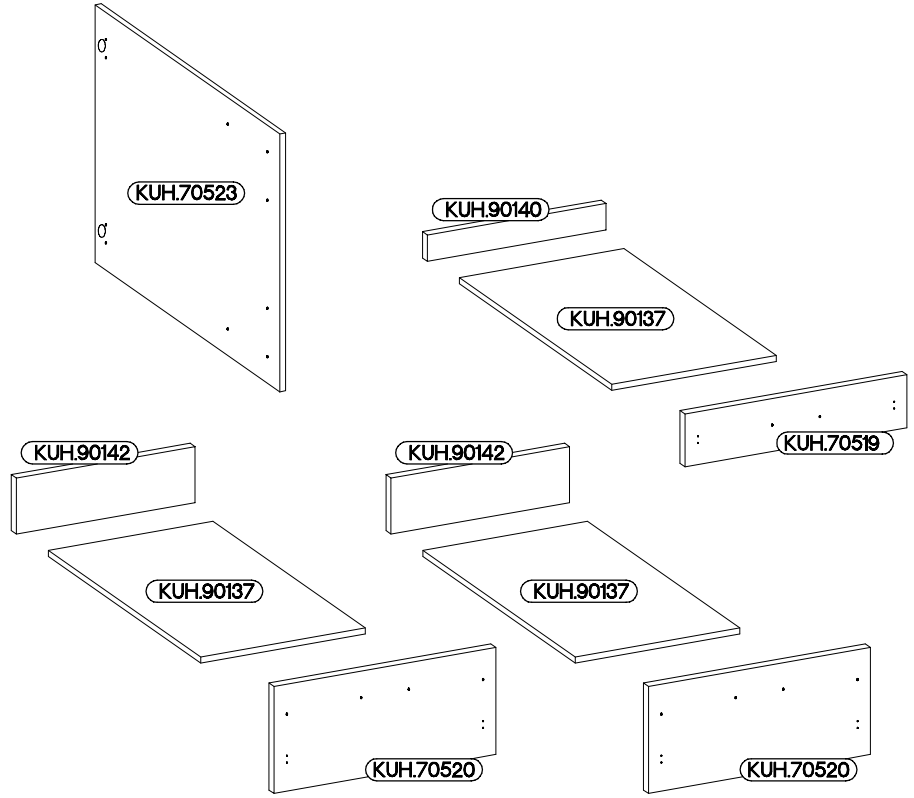
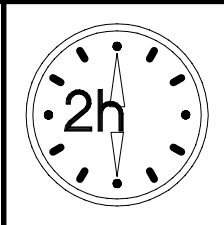
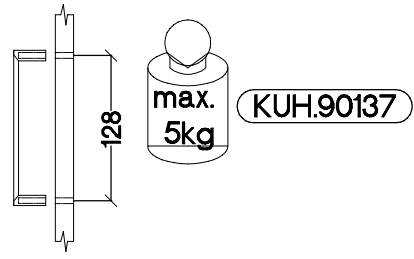
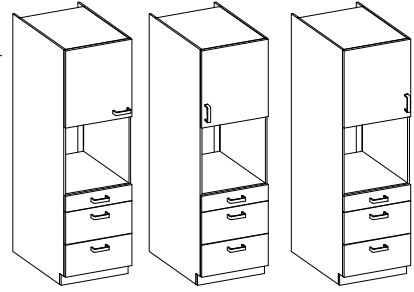
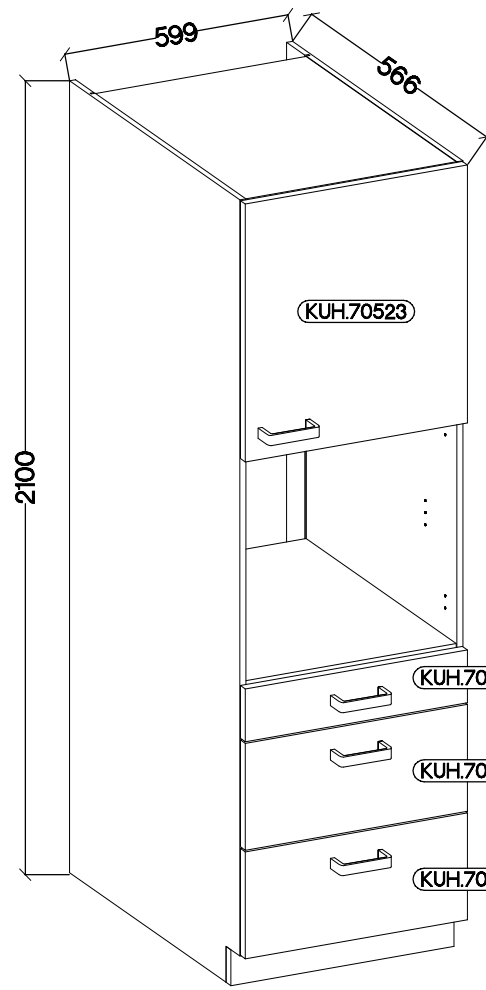
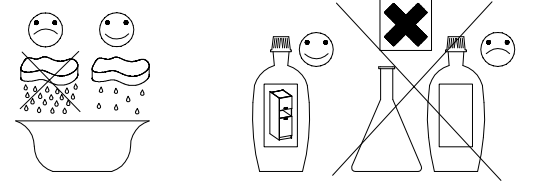
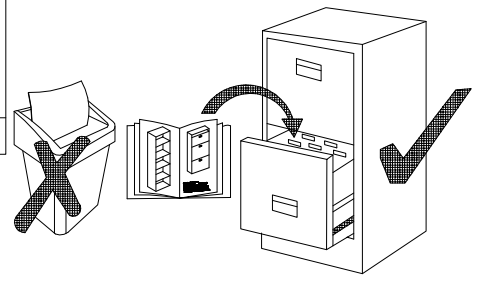


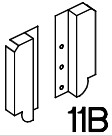
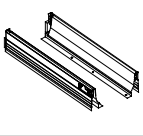

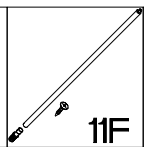




**60 DPS-2100 1F 3S**

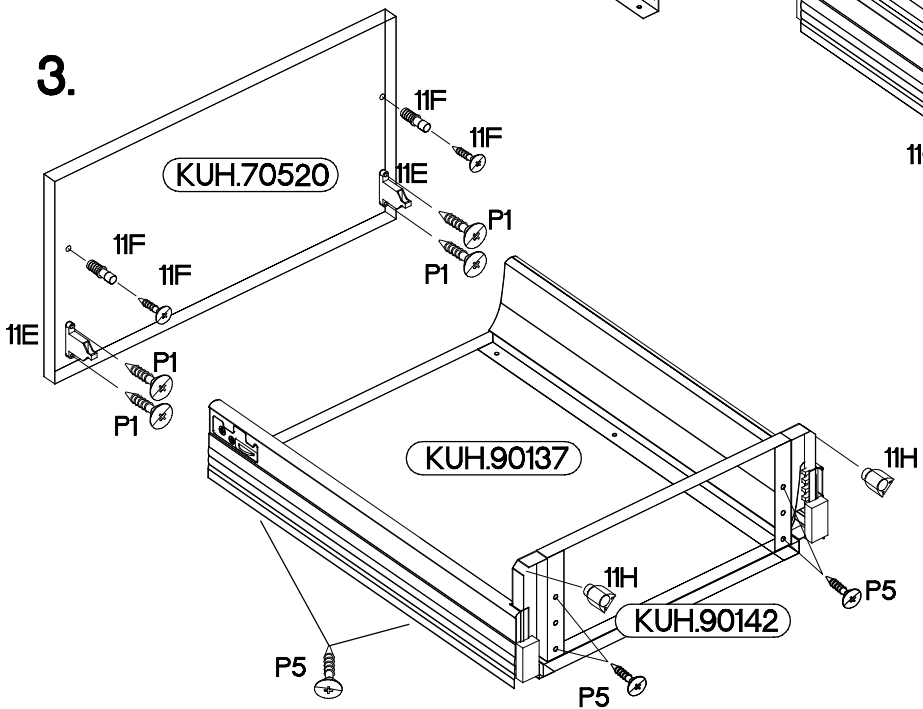
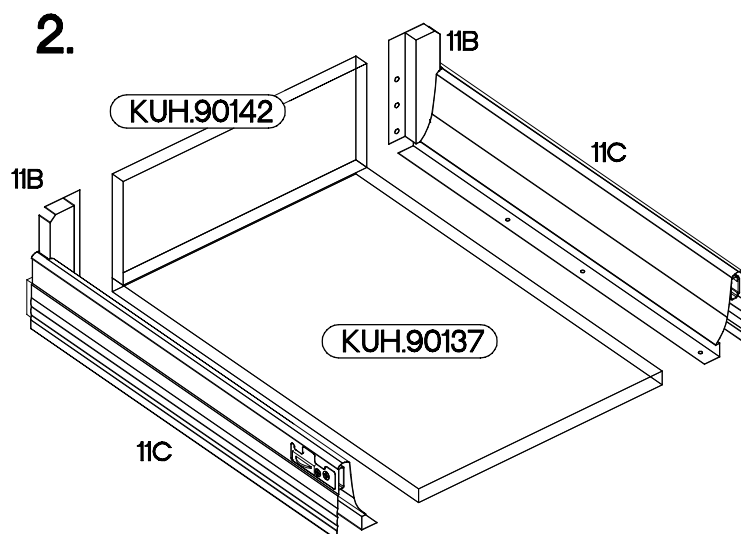
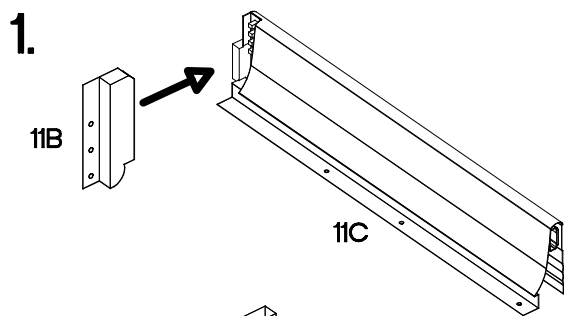


3	2	3	1	6	4	6
	+35/0mm	+6.3x13mm	+4.0x16mm	+3.5x13mm	M4x22mm	
4	2	12	24	28	2	4

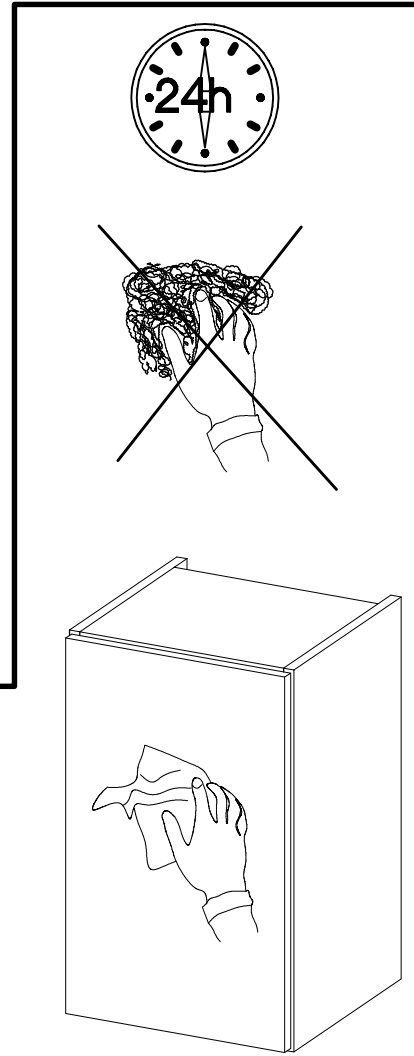
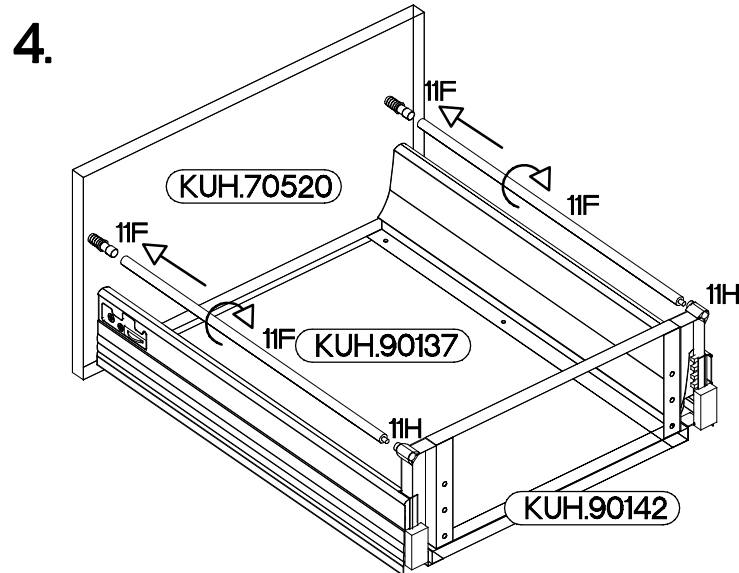


**ISM-KUH-01003**

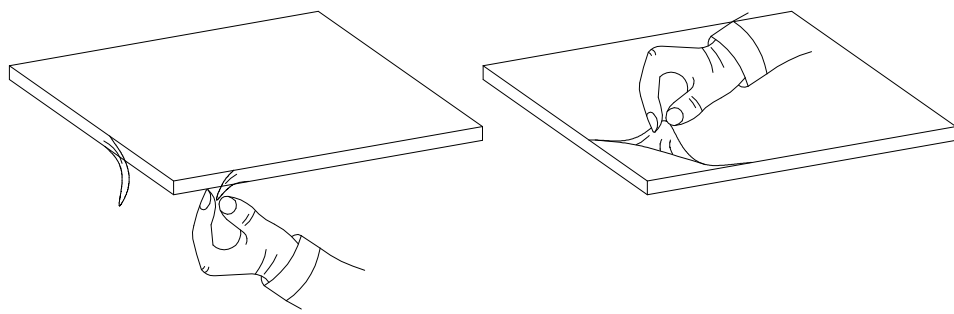
							
2	2	4	4	4	8	16	4



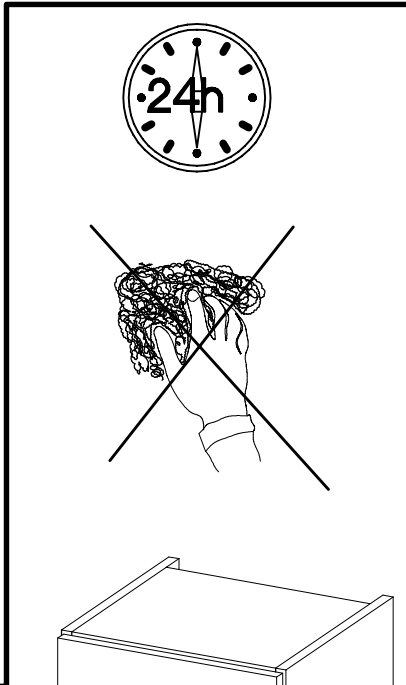
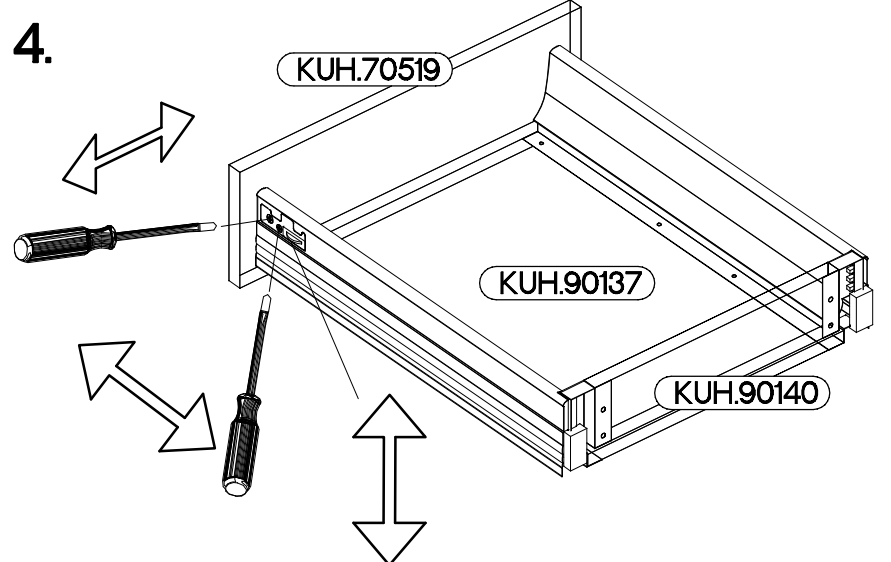
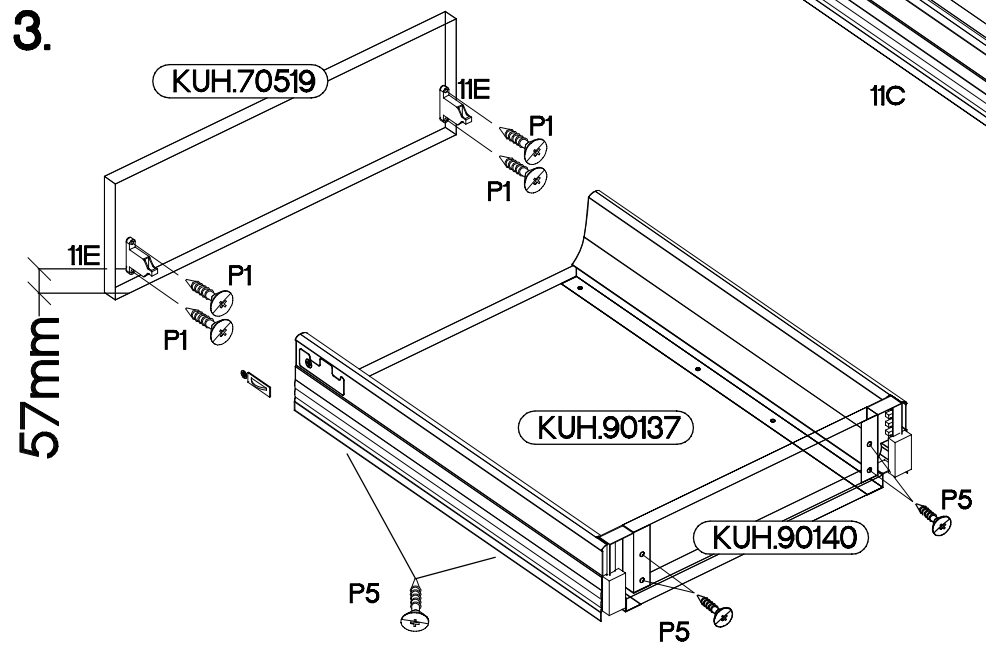
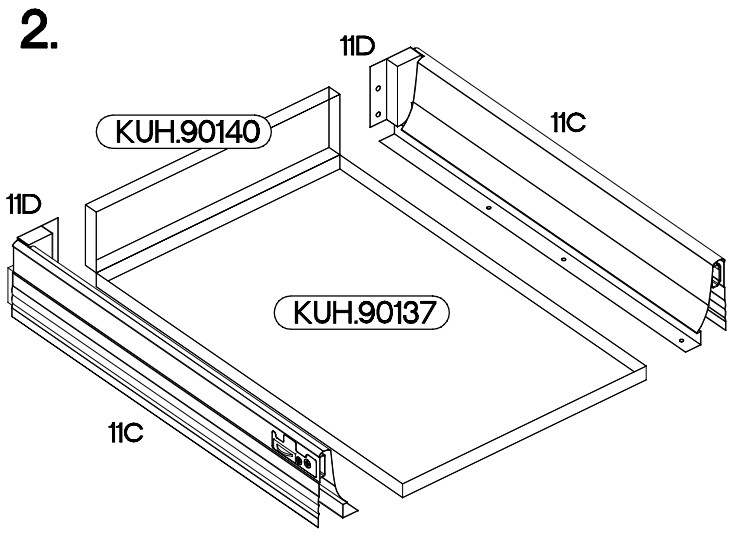
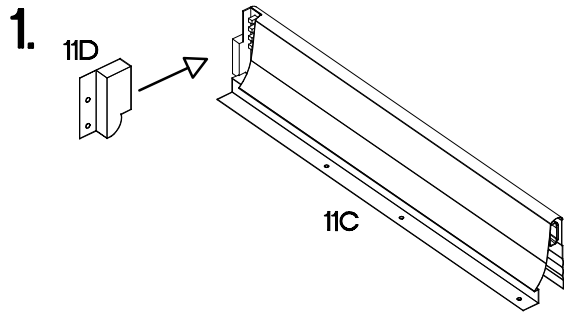
x2



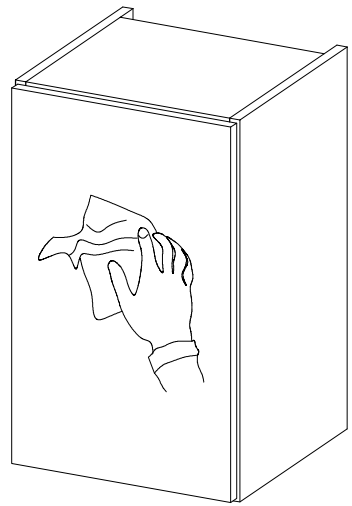
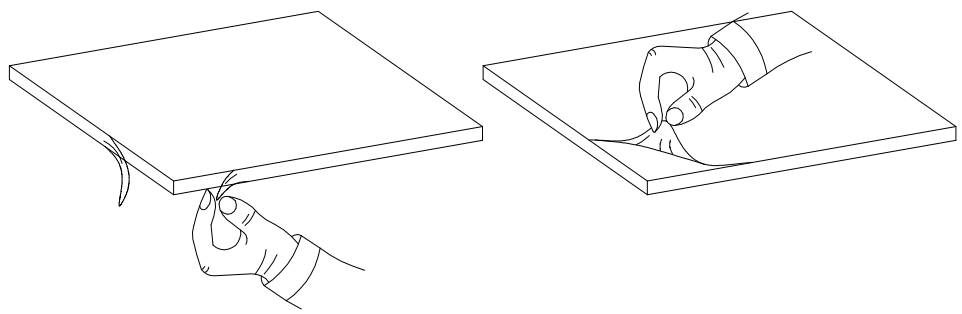
VARIANT HIGH GLOSS

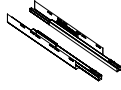




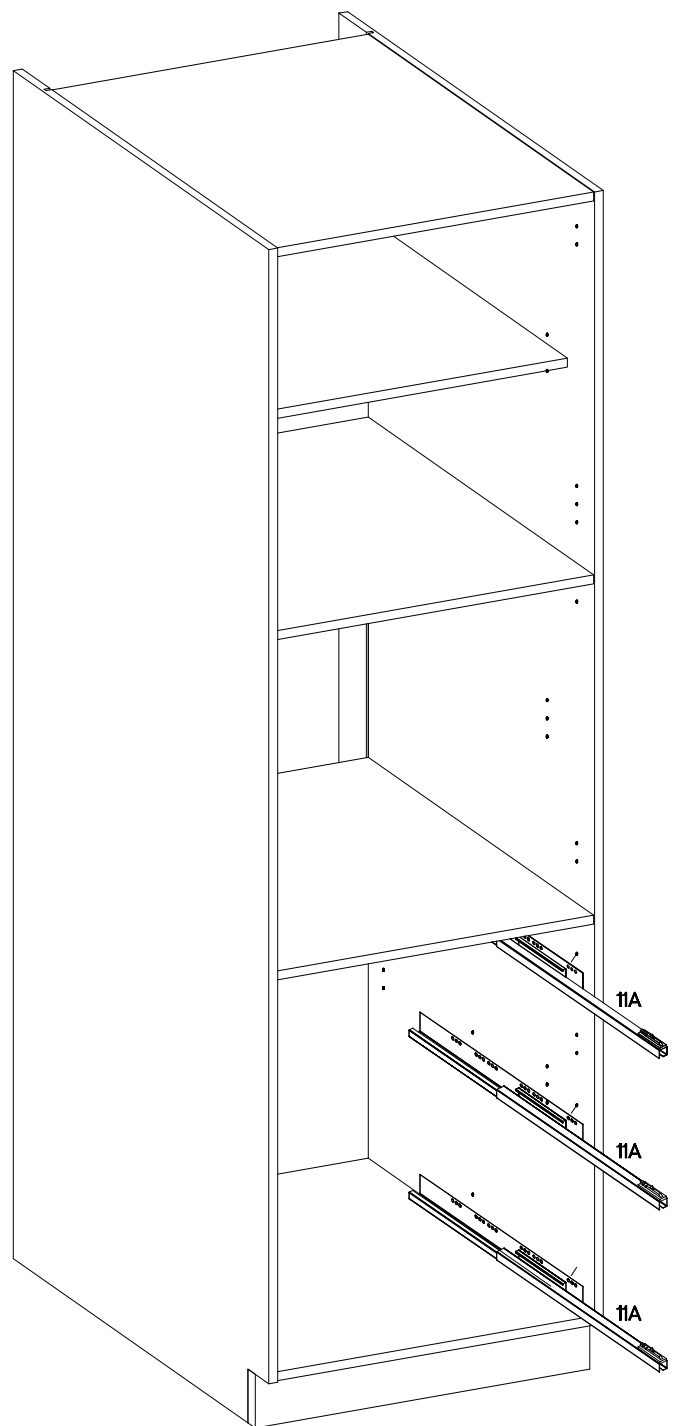
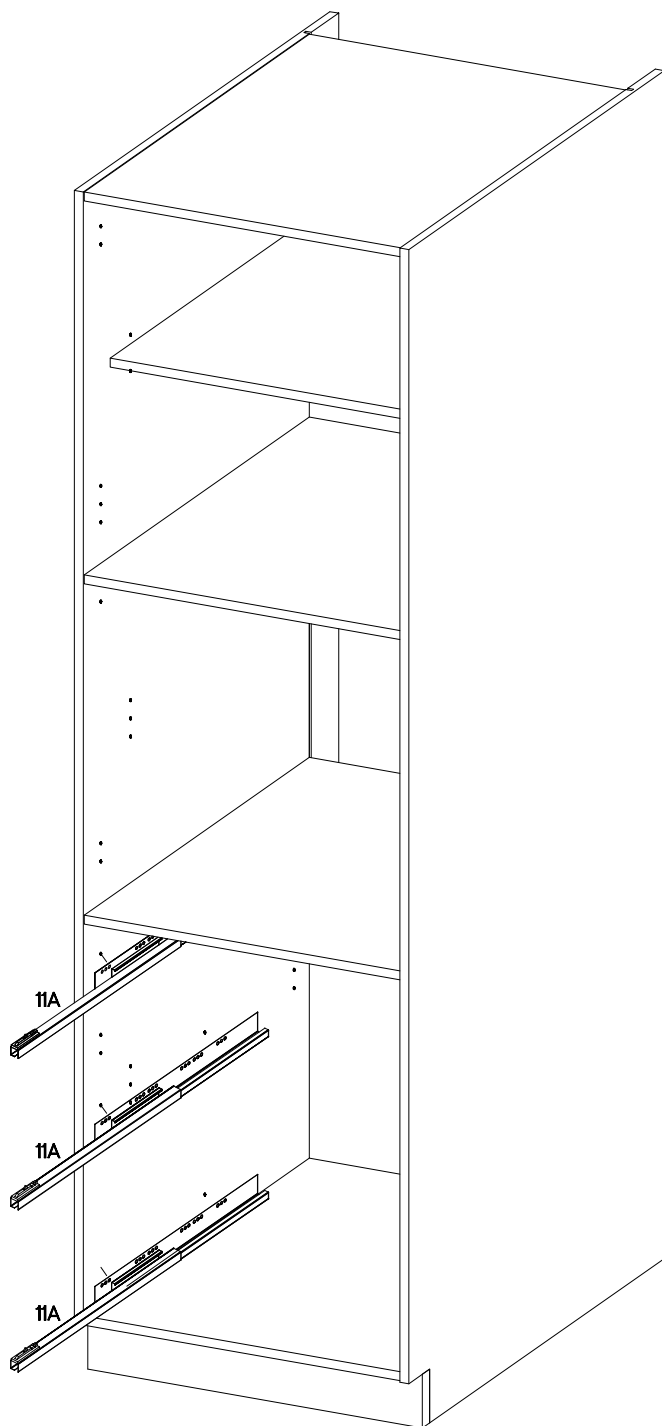
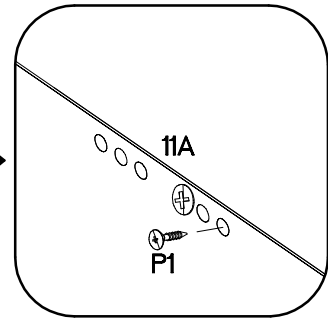
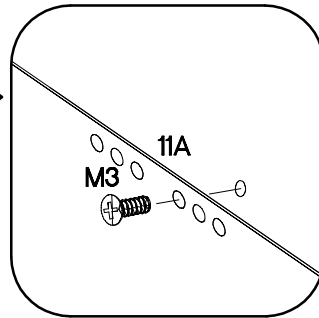
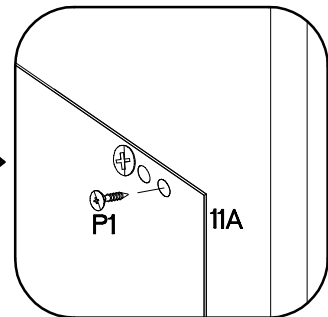
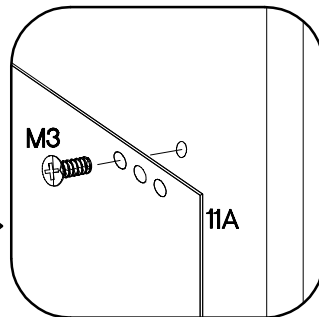
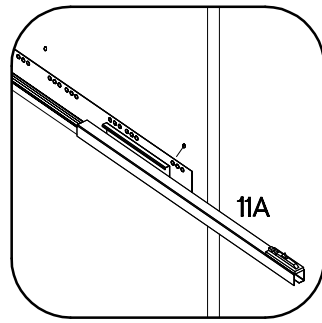
11D	11C	11E	P1	P5	11G
1	1	2	4	8	2




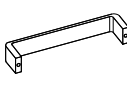
VARIANT HIGH GLOSS

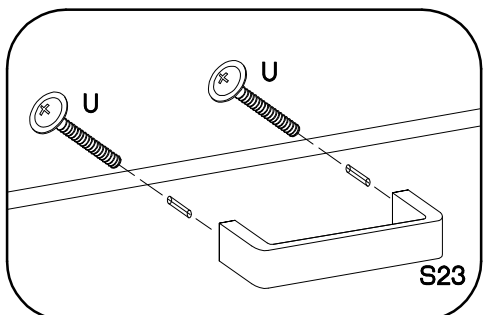
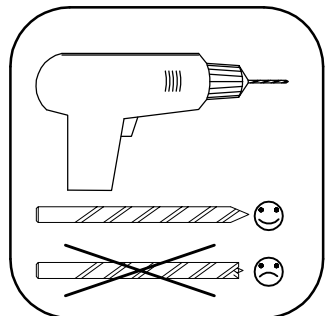
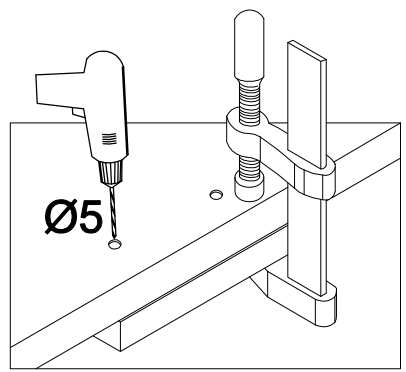
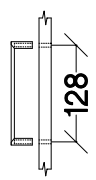
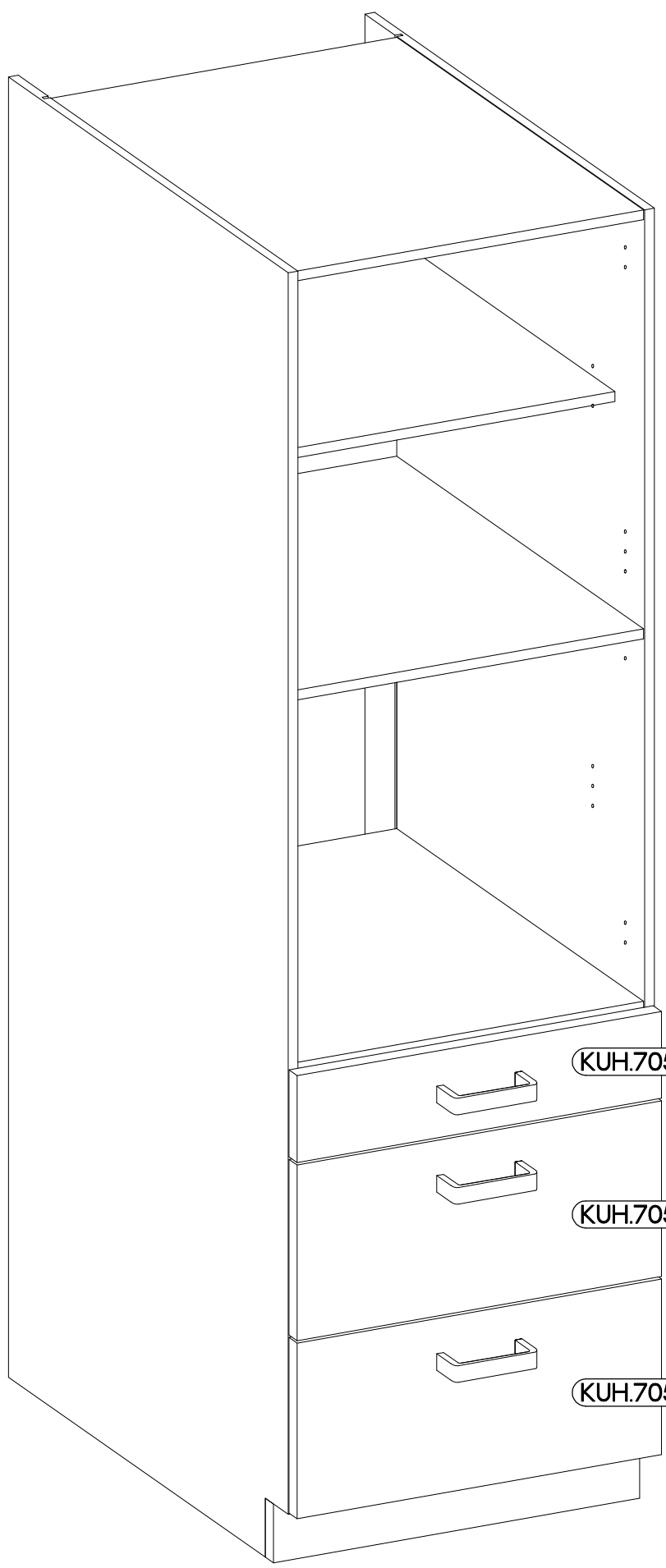


		
11A	M3	P1
3	12	12



4

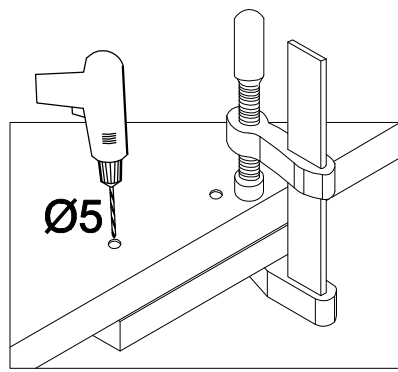
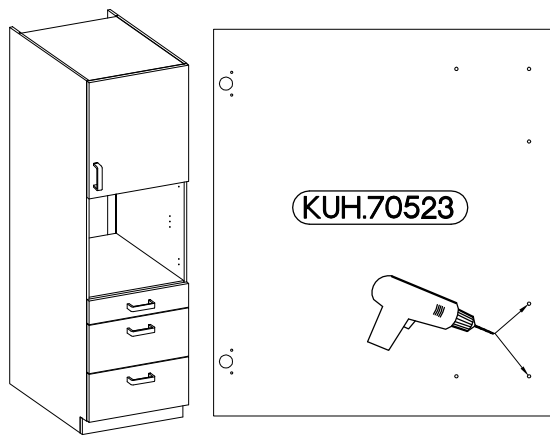
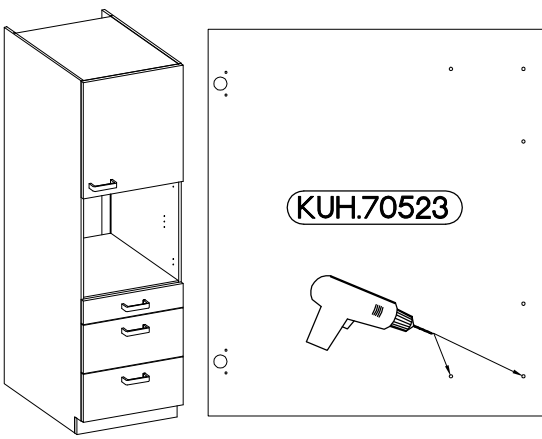
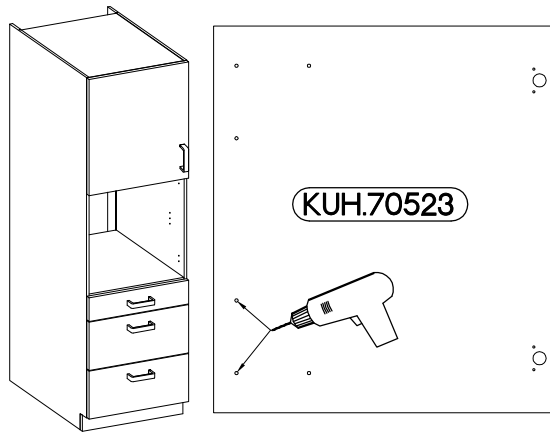
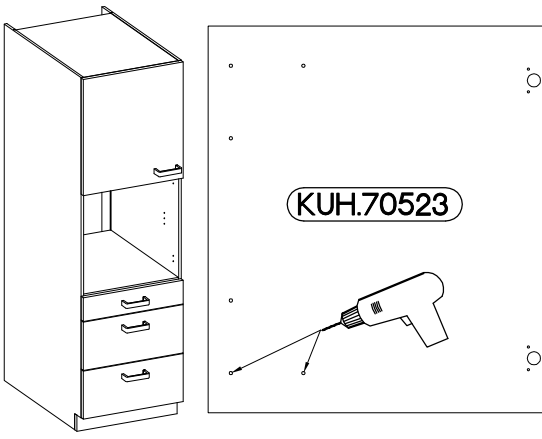
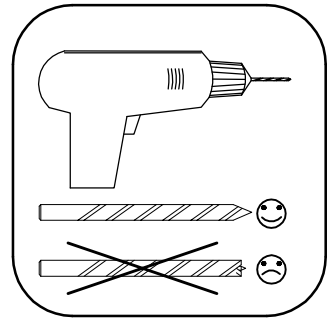
M4x22mm	
	
U	S23
6	3



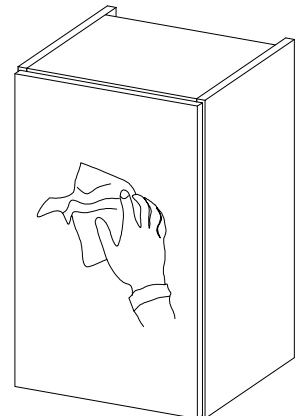
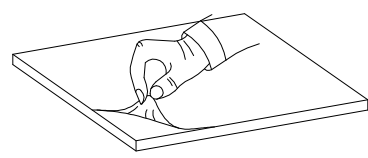
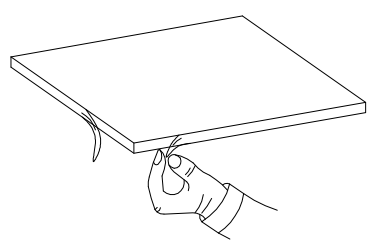
KUH.70519

KUH.70520

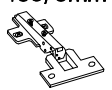

KUH.70520

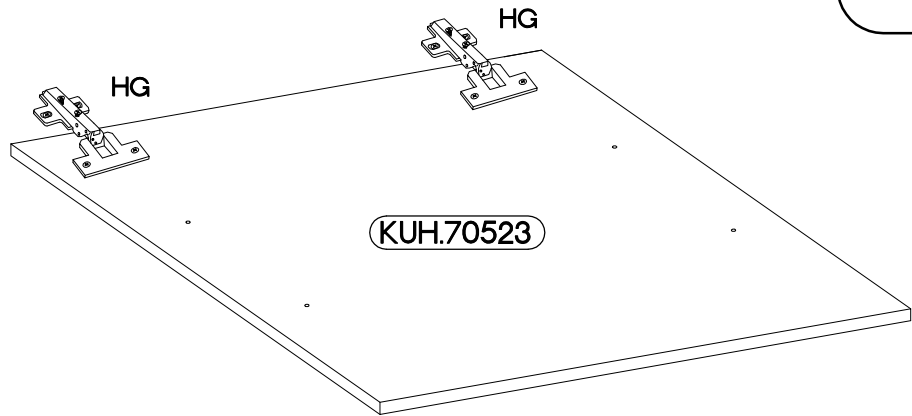
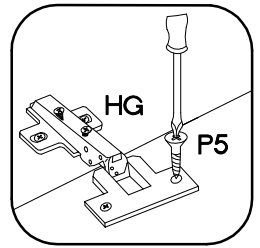


VARIANT HIGH GLOSS

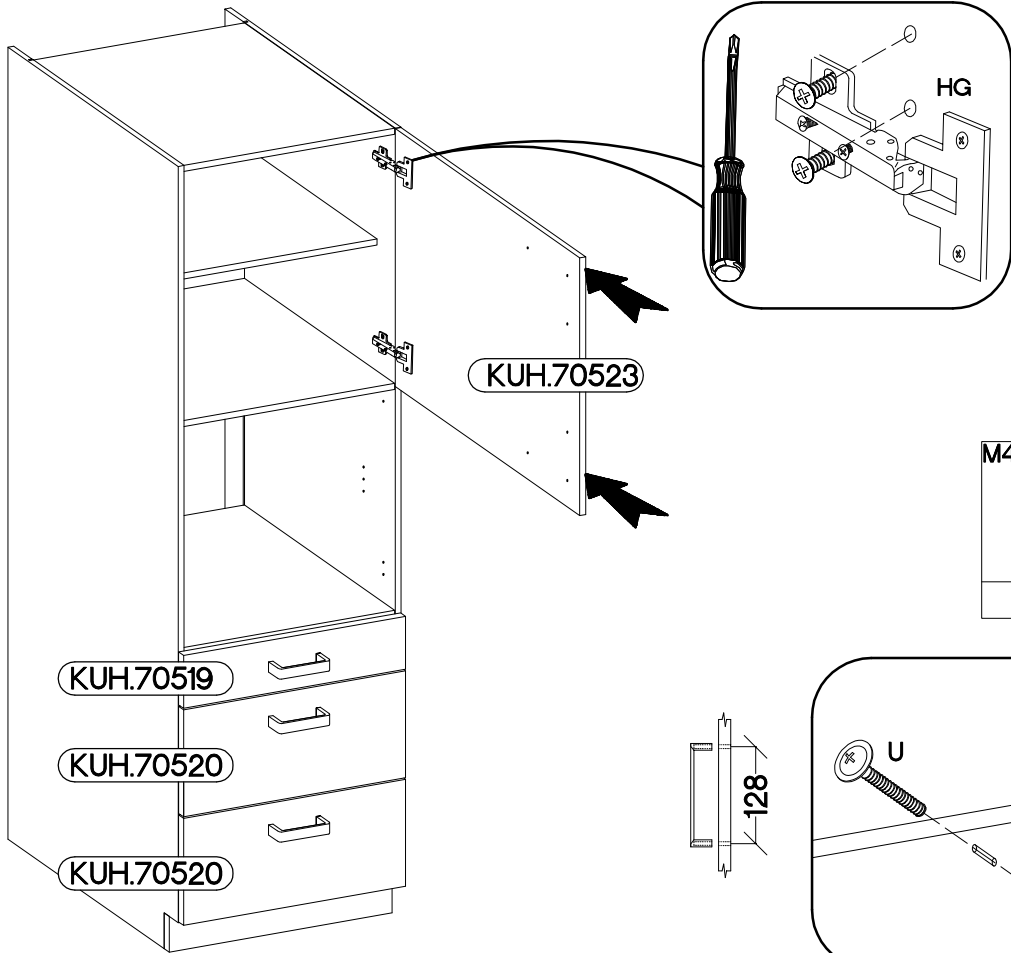




6

 †35/0mm HG	 †3.5x13mm P5
2	4



7



 M4x22mm U	 S23
2	1

