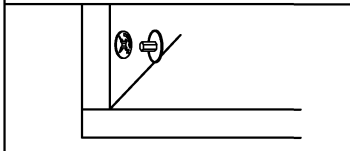
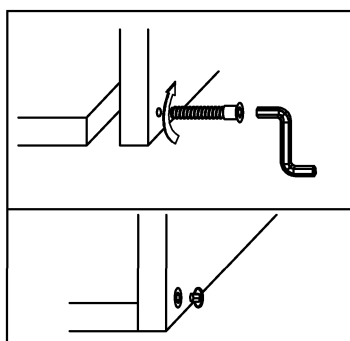
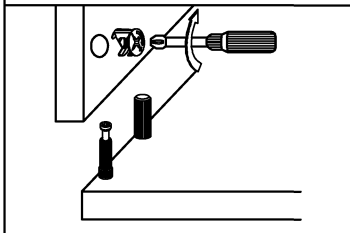
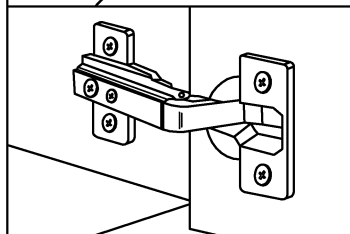
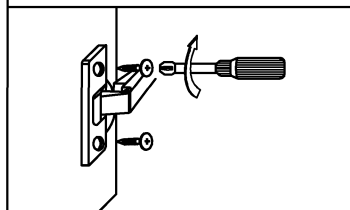
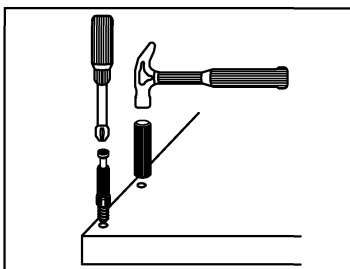
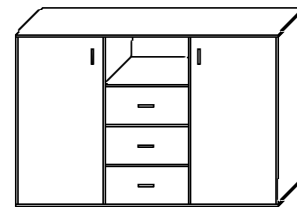
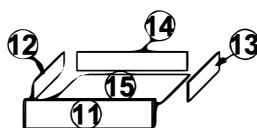
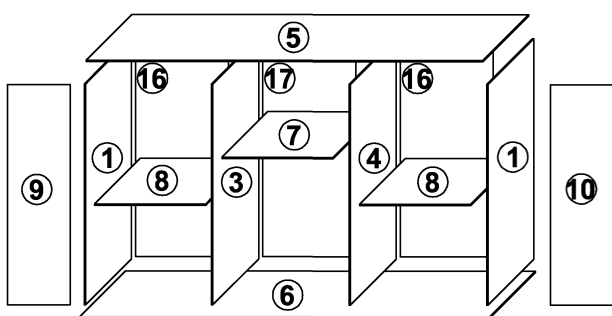
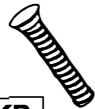








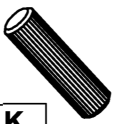
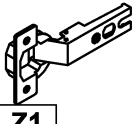









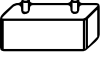


I 11



|    | Rozměry    | Balíky |
|----|------------|--------|
| 1  | 736 x 410  | 1 / 2  |
| 2  | 736 x 410  | 1 / 2  |
| 3  | 736 x 407  | 1 / 2  |
| 4  | 736 x 407  | 1 / 2  |
| 5  | 1189 x 435 | 2 / 2  |
| 6  | 1189 x 435 | 2 / 2  |
| 7  | 371 x 407  | 2 / 2  |
| 8  | 377 x 402  | 2 / 2  |
| 9  | 728 x 394  | 1 / 2  |
| 10 | 728 x 394  | 1 / 2  |
| 11 | 386 x 180  | 2 / 2  |
| 12 | 300 x 110  | 2 / 2  |
| 13 | 300 x 110  | 2 / 2  |
| 14 | 315 x 110  | 2 / 2  |
| 15 | 327 x 293  | 2 / 2  |
| 16 | 757 x 394  | 2 / 2  |
| 17 | 757 x 386  |        |



|   |   |   |
|---|---|---|
|  |  |  |
| KP  | KL  | PS  |
| 6   | 2   | 3   |

|   |   |   |   |   |  |   |   |   |
|---|---|---|---|---|--|---|---|---|
|  |  |  |  |  |  |  |  |  |
| K1  | M1  | M2  | M3  | K   | Z1   | W4x16   | PZ1   | E5x13   |
| 4   | 16  | 16  | 16  | 36  | 4  | 18  | 4   | 12  |
|  |  |  |  |  |   |  |  |  |
| 1   | Z2  | UC  | W4x45   | G   | P  | SN  | P2  | W3,5x16   |
| 1   | 4   | 5   | 10  | 45  | 8  | 6   | 10  | 12  |

