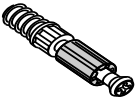

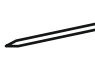









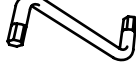
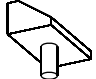

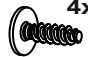


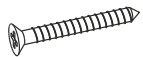
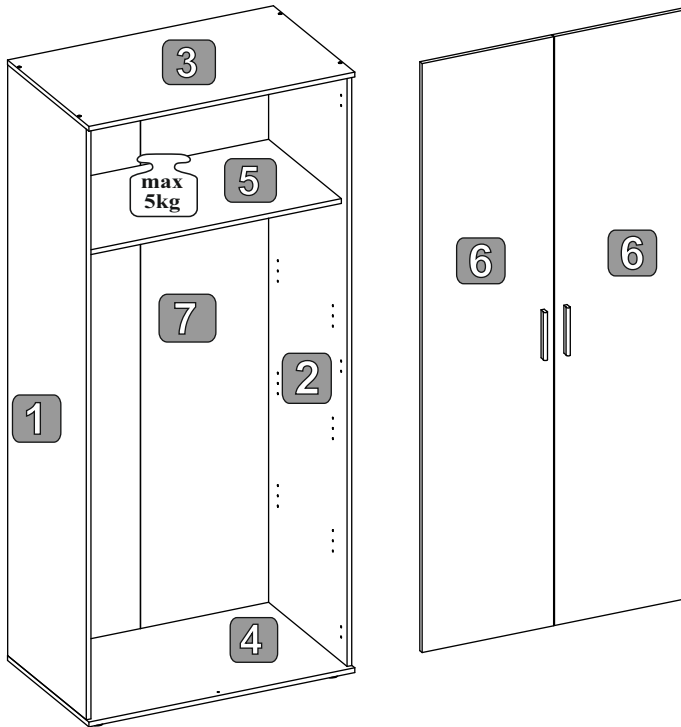
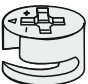
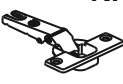



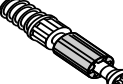

 4x T02	 4x T01	 12x D01	 50x G01	 2x U28	 4x W05	 12x W30
 6x Z02	 6x Z04	 2x E03	 1x J01	 4x S02	 8x W50	 1x K01
 2x E02	 1x P01	 2x W07	 1x F11	 1x F01	 4x W21	

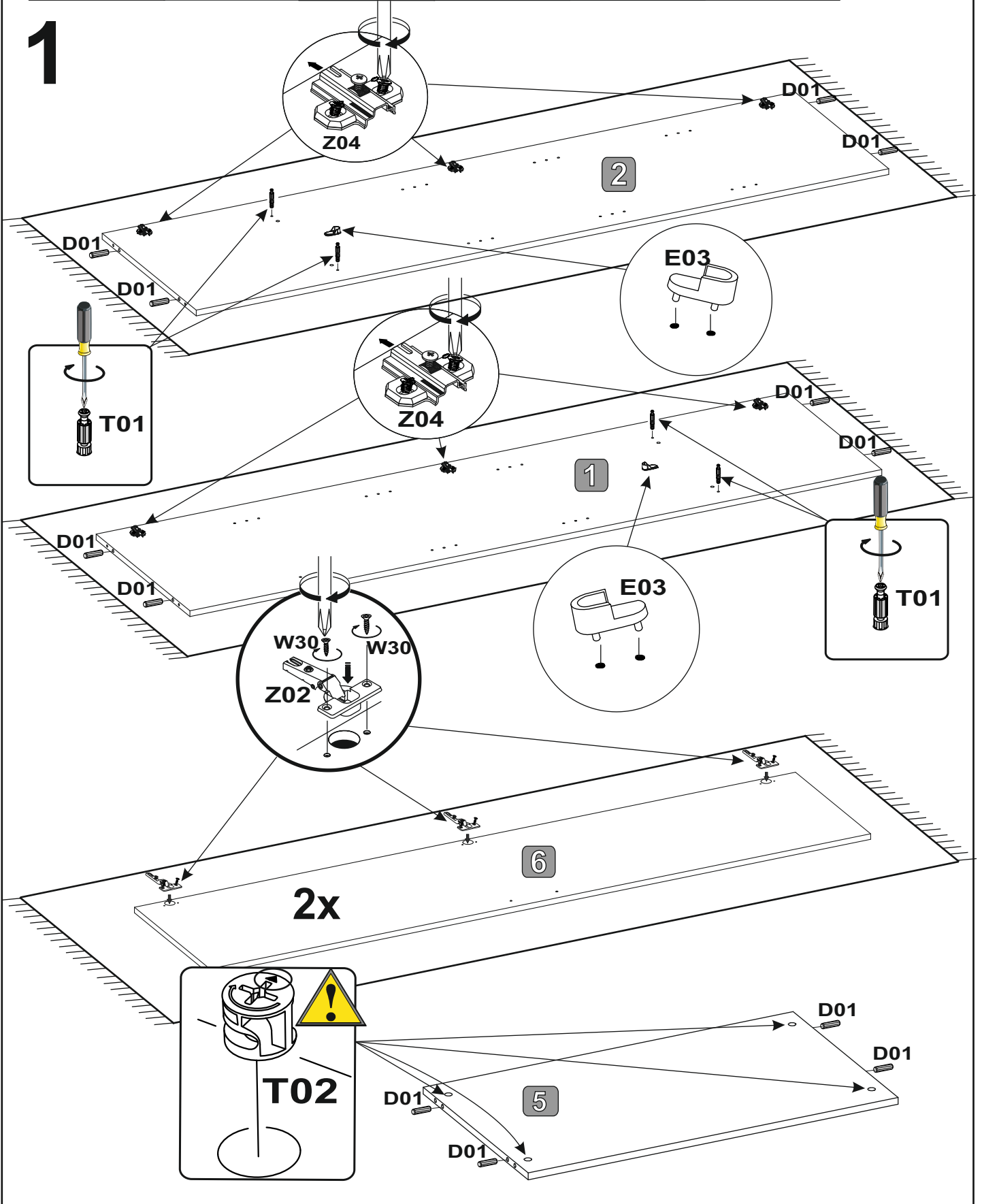


NR	DIM	QTE	COLLI
1	1850x502x15	1	2/2
2	1850x502x15	1	2/2
3	850x520x15	1	2/2
4	850x520x15	1	2/2
5	819x465x15	1	1/2
6	1844x420x15	2	1/2
7	1876x845x2	1	2/2

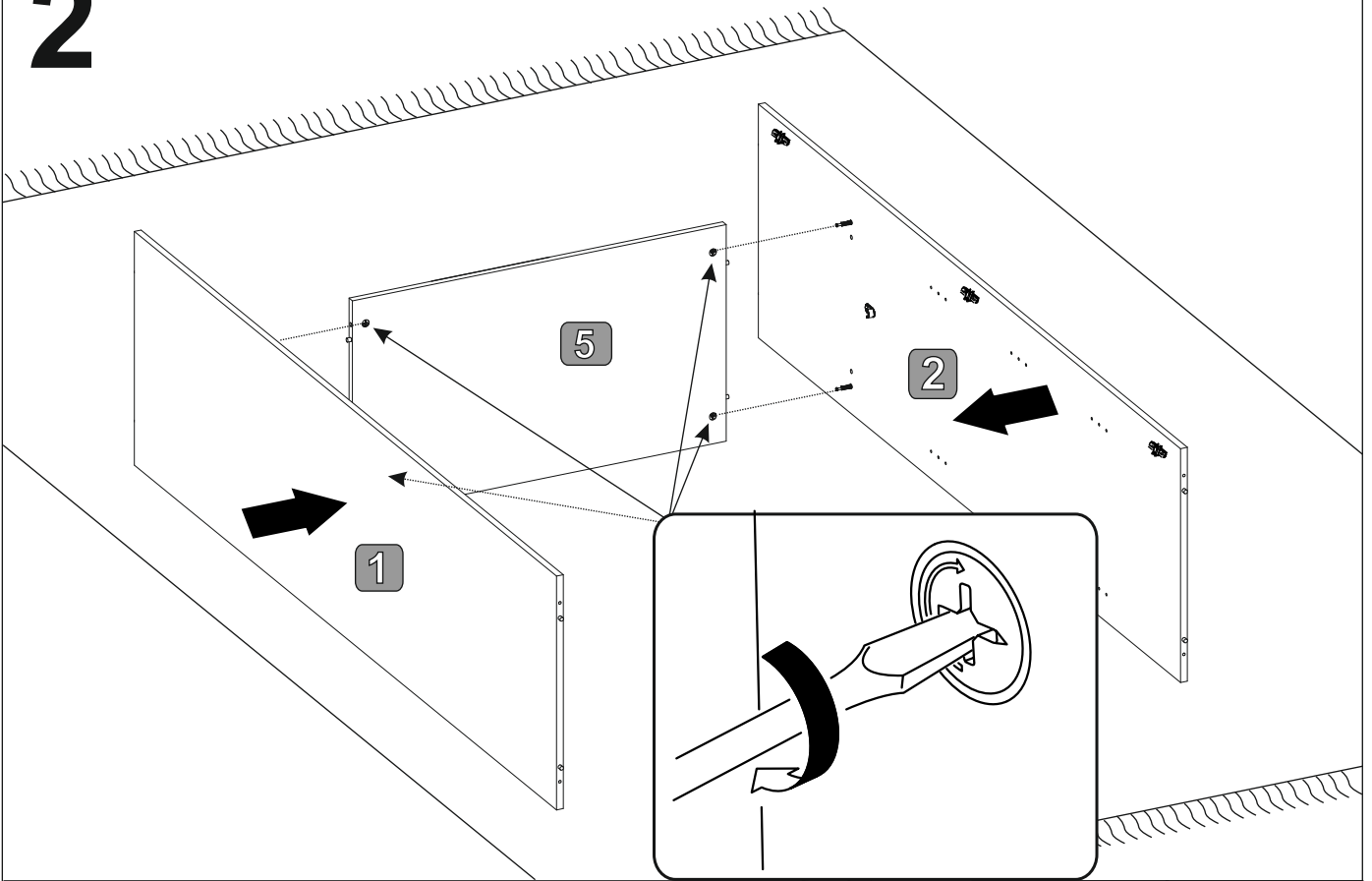


 15x12 4x T02	 KR-0 6x Z02	 3,5x16 12x W30	 E03 2x E03	 8x28 12x D01	 4x T01	 6x Z04
--	---	--	--	---	---	---

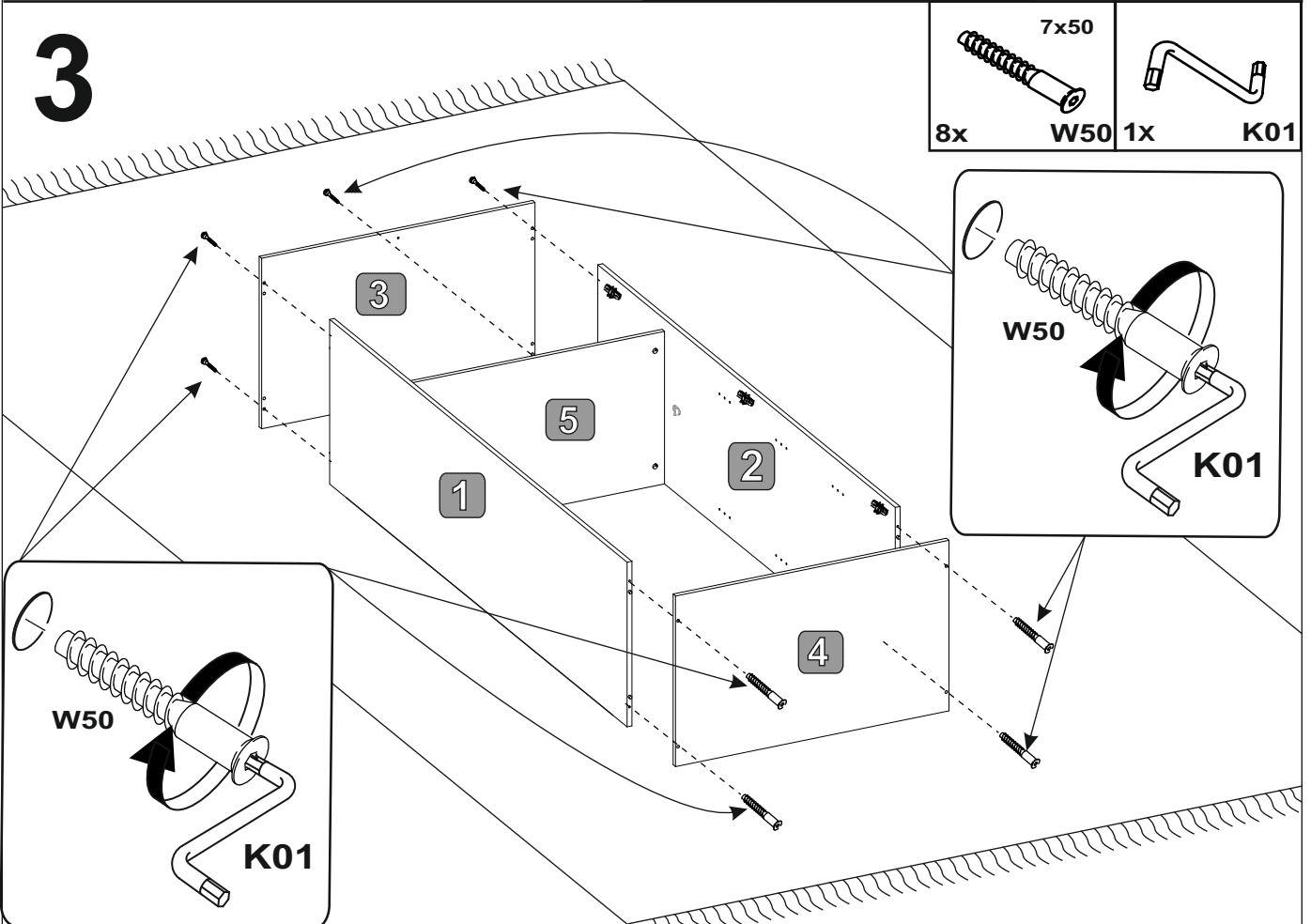
1



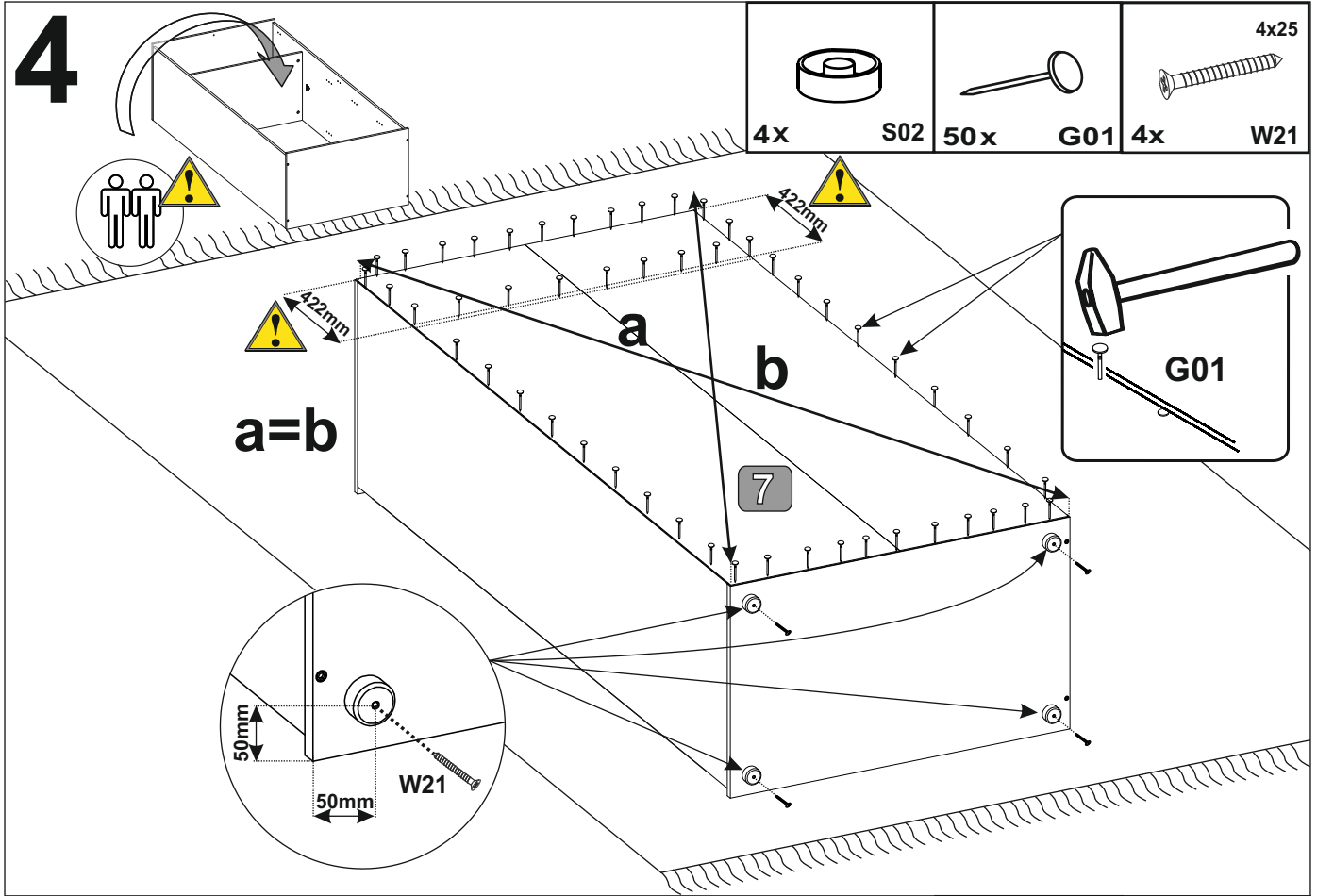
2



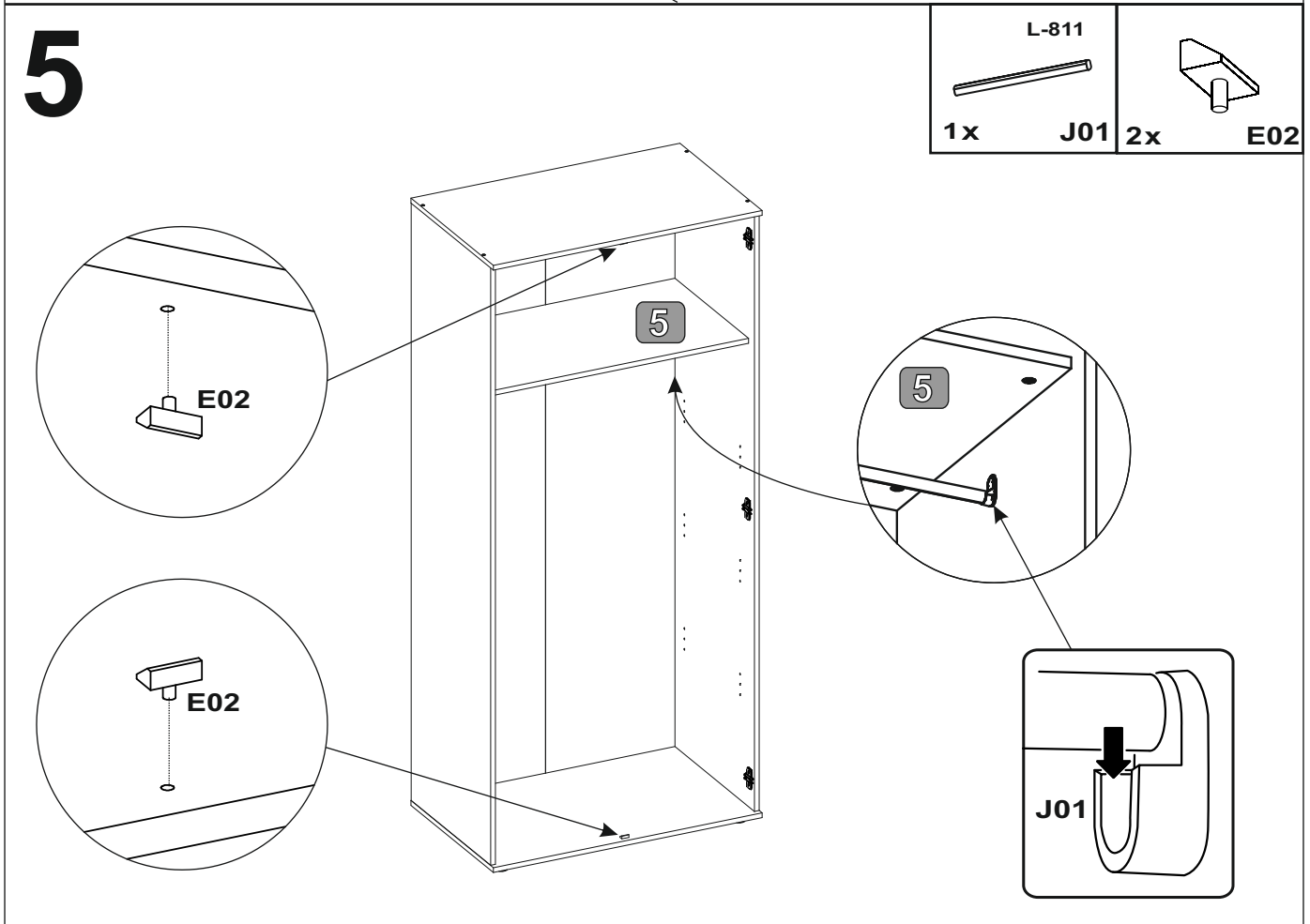
3



4

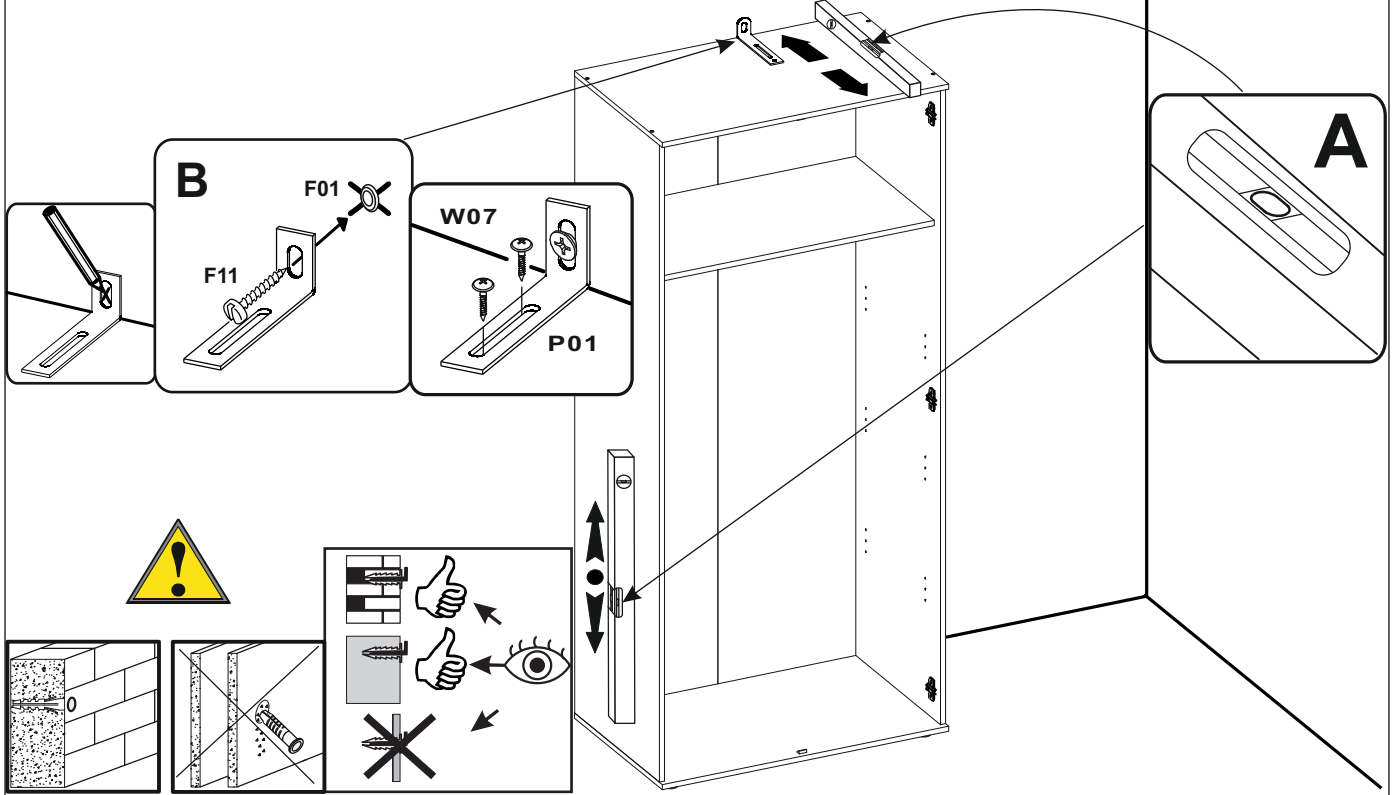


5



6

- 1x P01
- 2x 4x13 W07
- 1x F11
- 1x F01



7

- 2x U28
- 4x 4x25 W05

