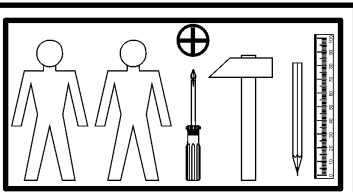
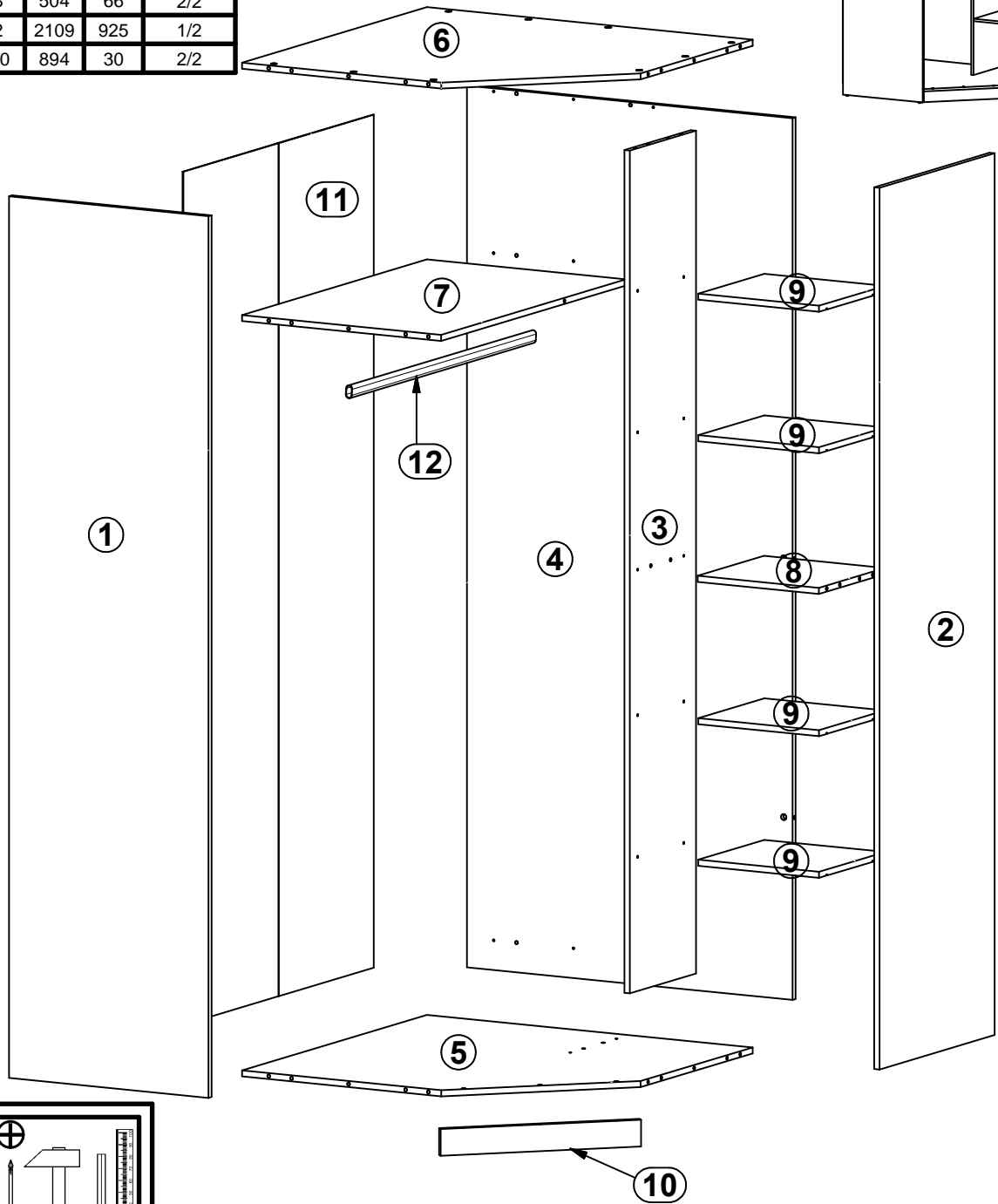
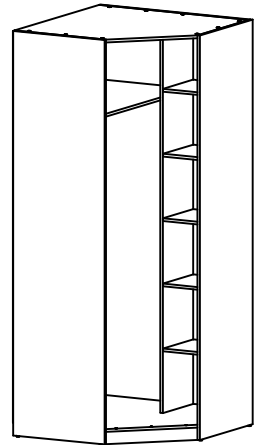
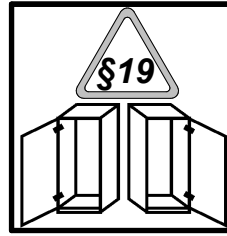
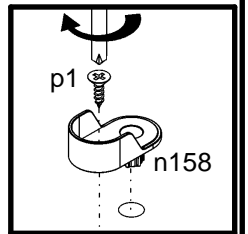
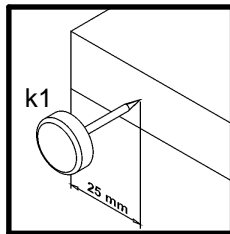
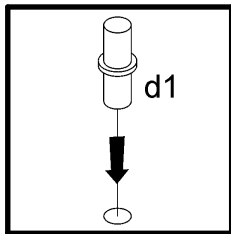
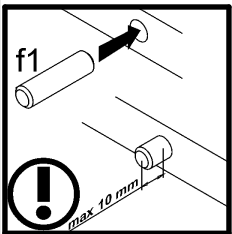
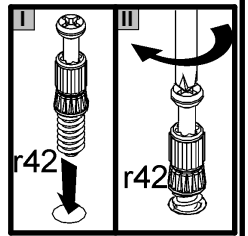
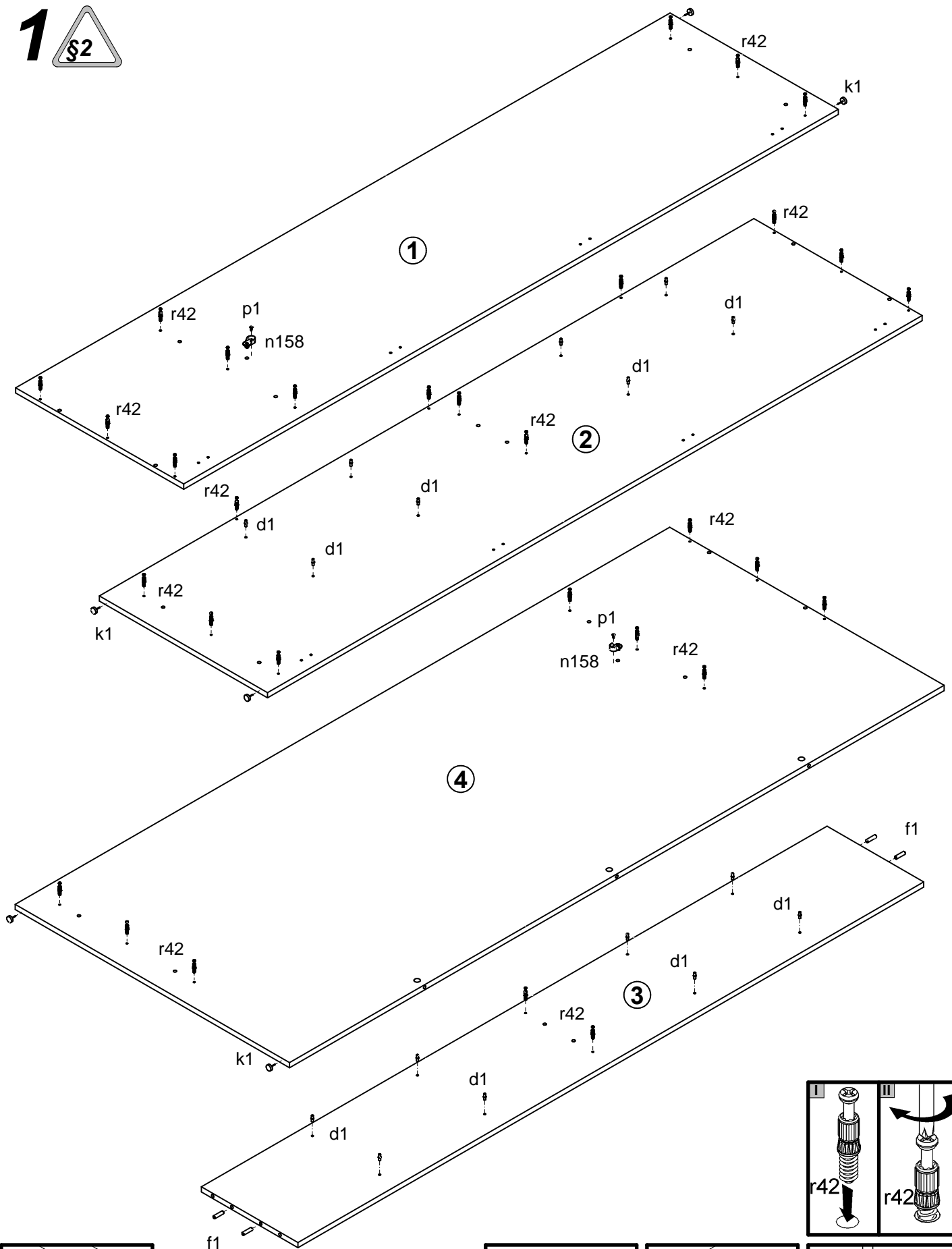


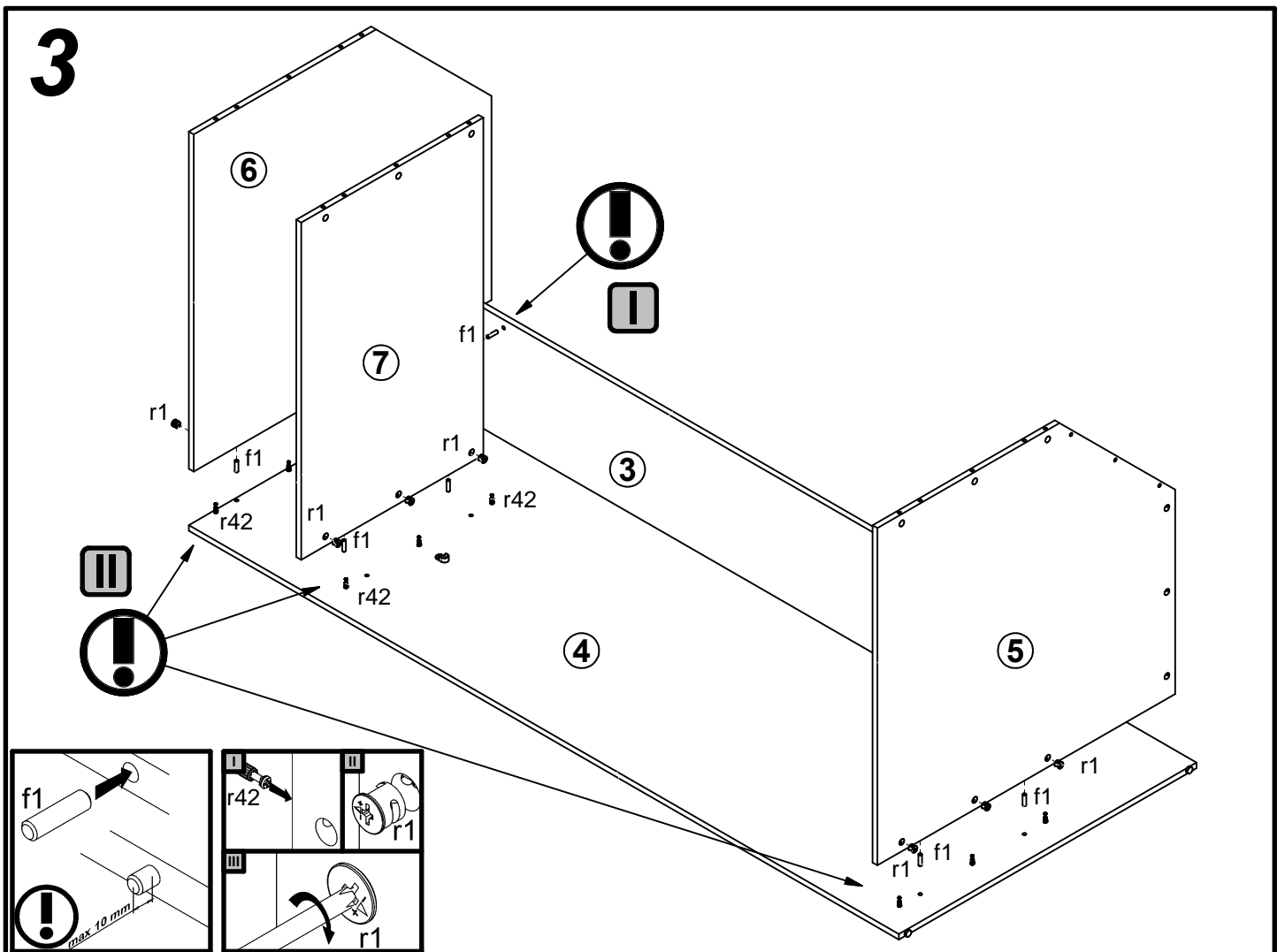
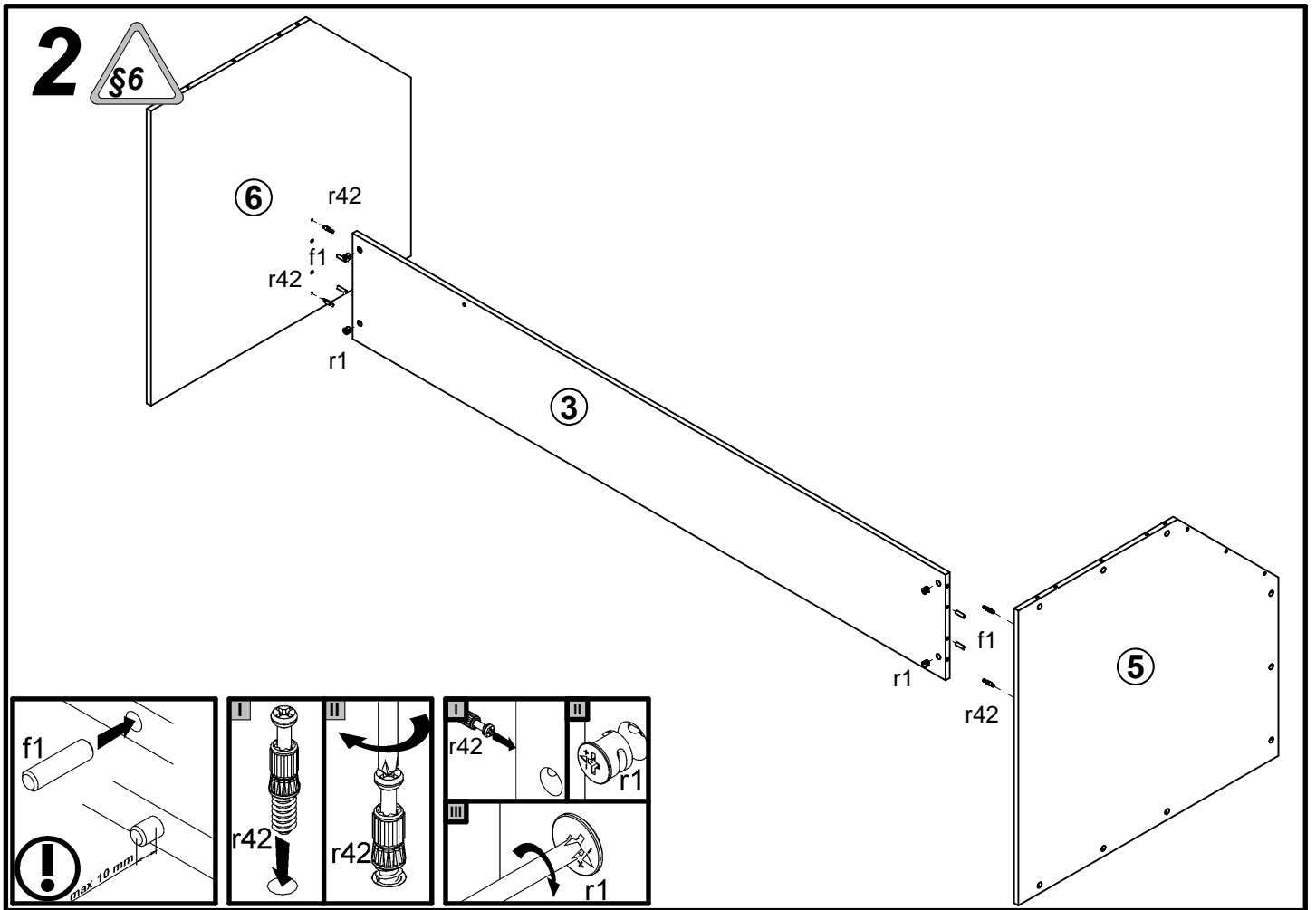
A	B	C	D	
1	F30-103	2180	560	1/2
2	F30-104	2180	560	1/2
3	F30-106	2084	322	1/2
4	F30-117	2180	914	2/2
5	F30-303	914	899	2/2
6	F30-304	914	899	2/2
7	F30-305	899	559	1/2
8	F30-306	340	322	2/2
9	F30-307	339	321	1/2
10	F30-408	504	66	2/2
11	F30-902	2109	925	1/2
12	dr-894x30	894	30	2/2

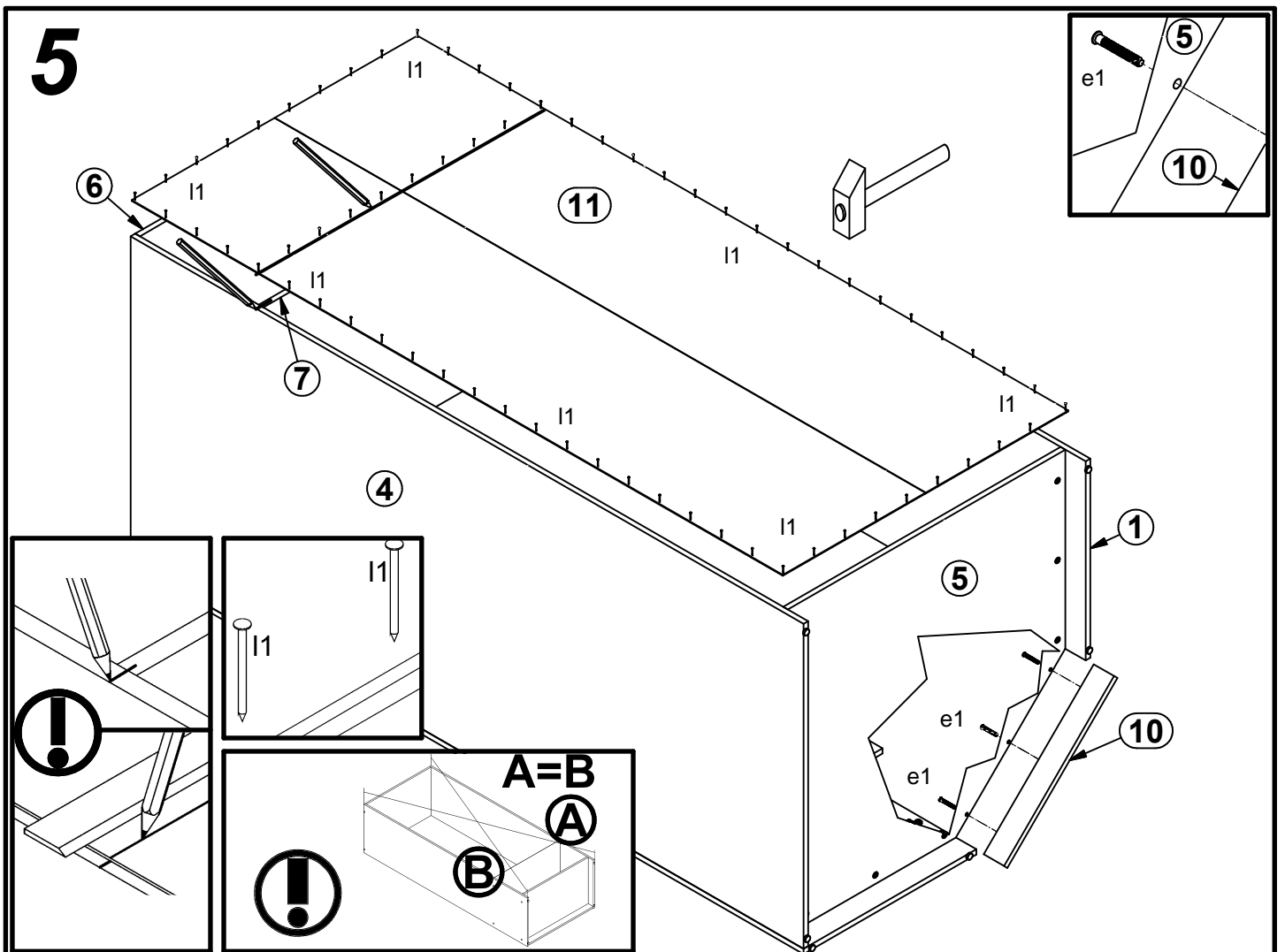
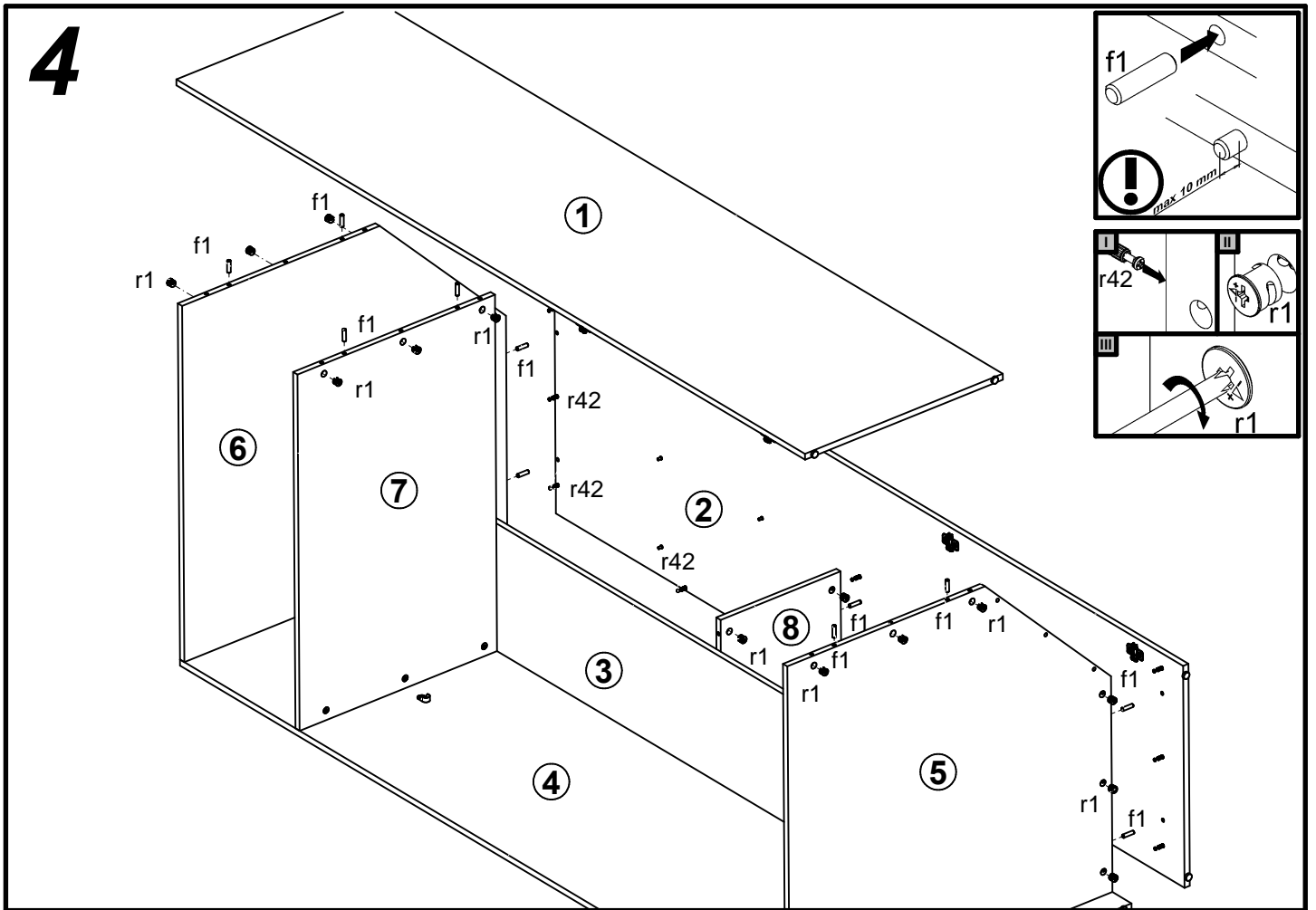


4x  a32	4x  b9	16x  Ø5x17 mm d1	3x  Ø7x50 mm e1	8x  Ø6,3x13 mm e2	25x  Ø8x30 mm f1	6x  k1	70x  l1	2x  n158
2x  Ø3,5x13 mm p1	8x  Ø3,5x15 mm p51	35x  Ø1,5x12mm #16 r1	35x  r42	3x  s1	13x  Ø16 s2	1x  z1		

1 







# 6

