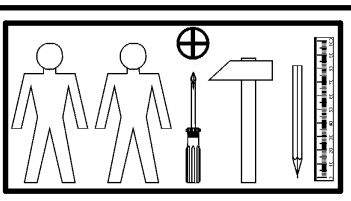
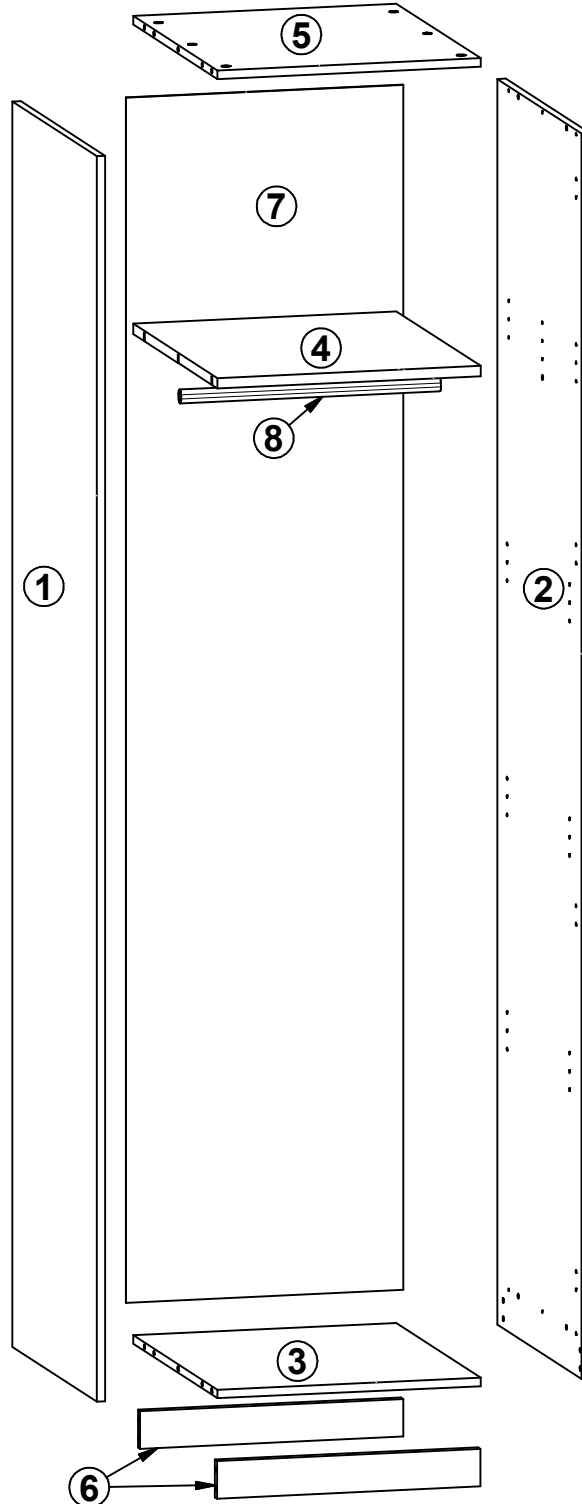
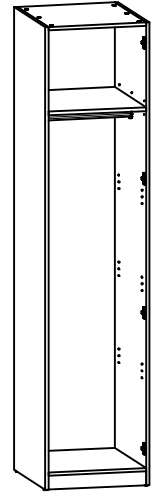
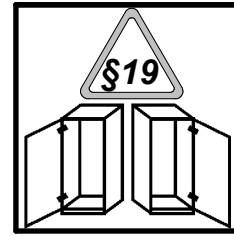
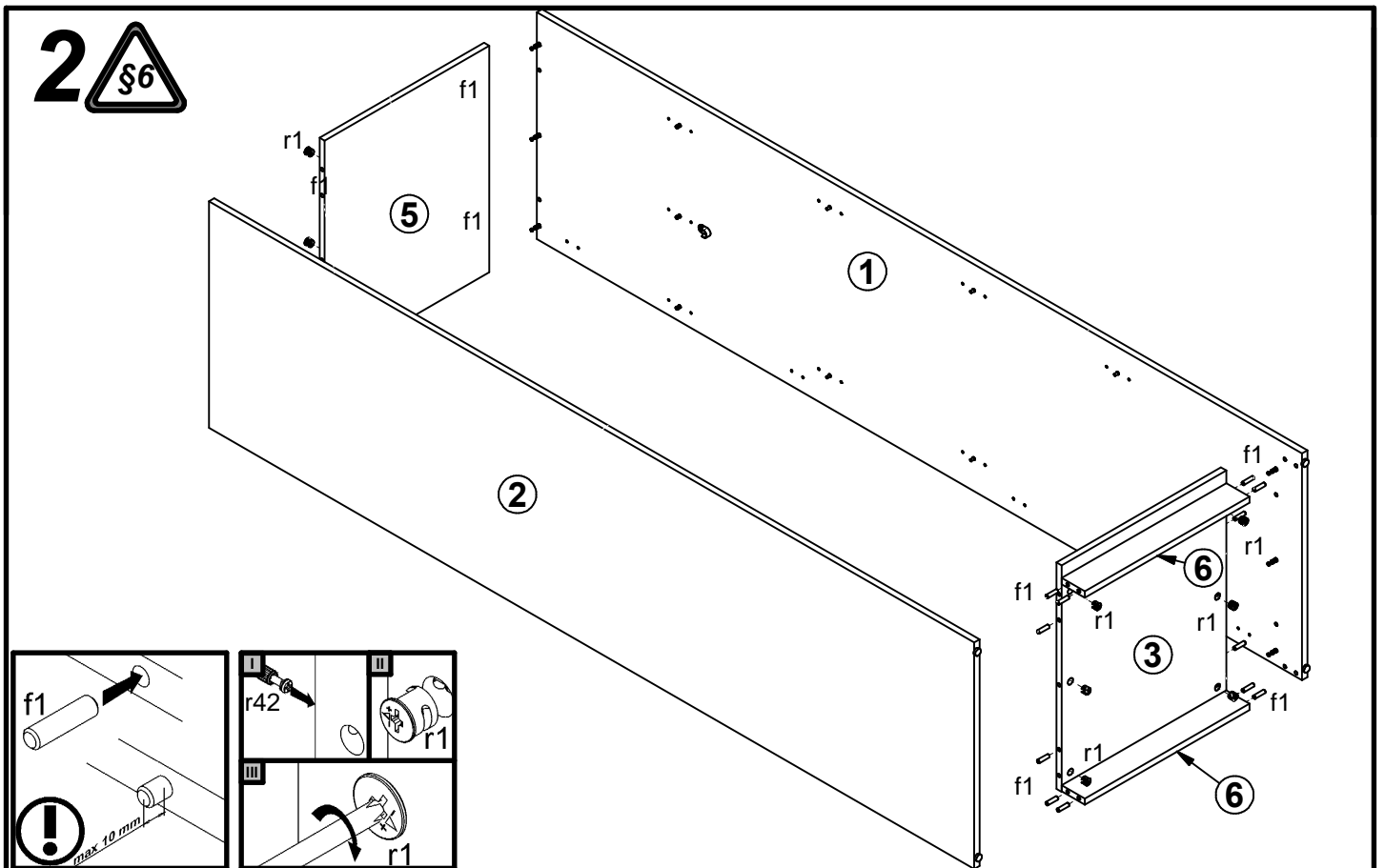
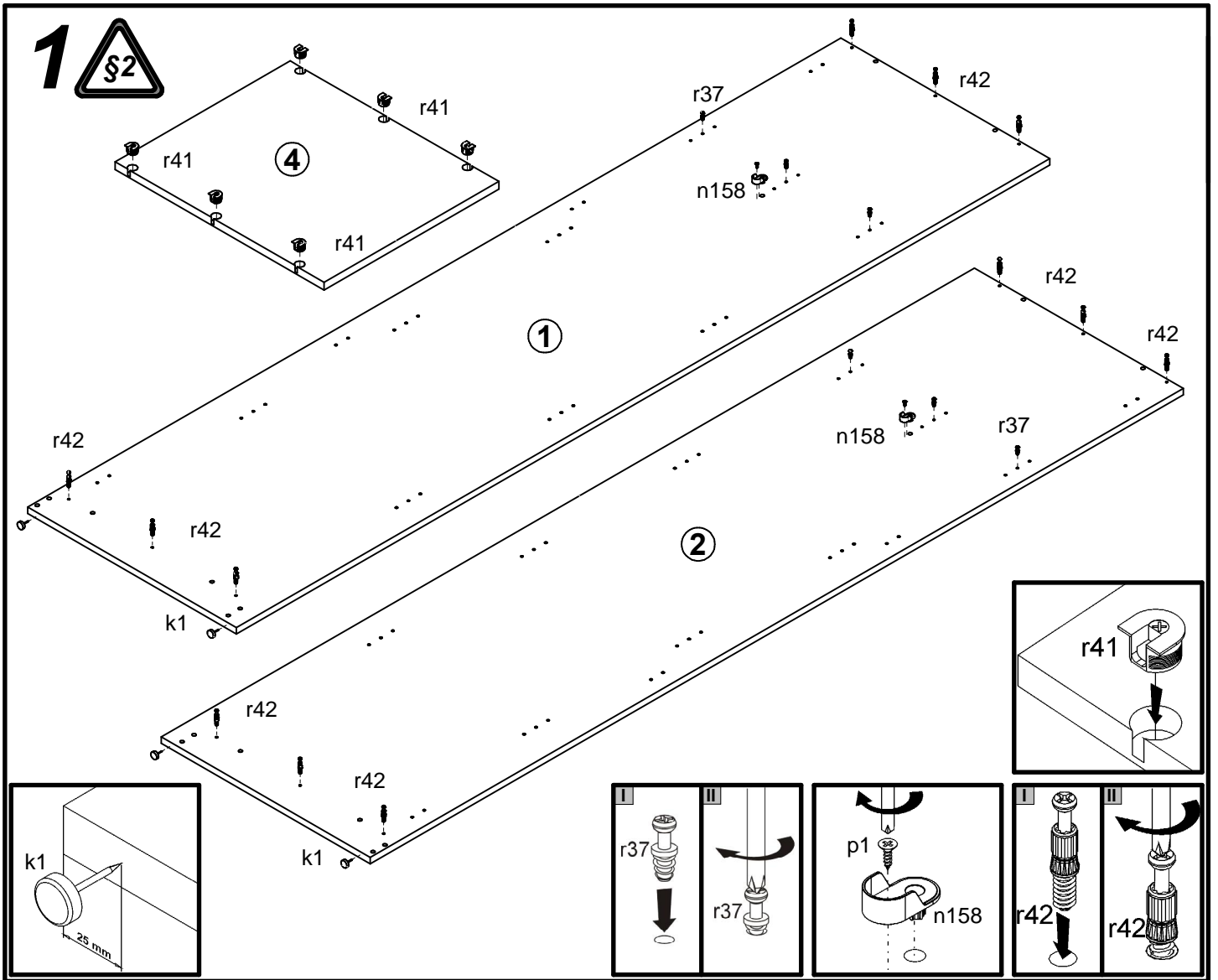


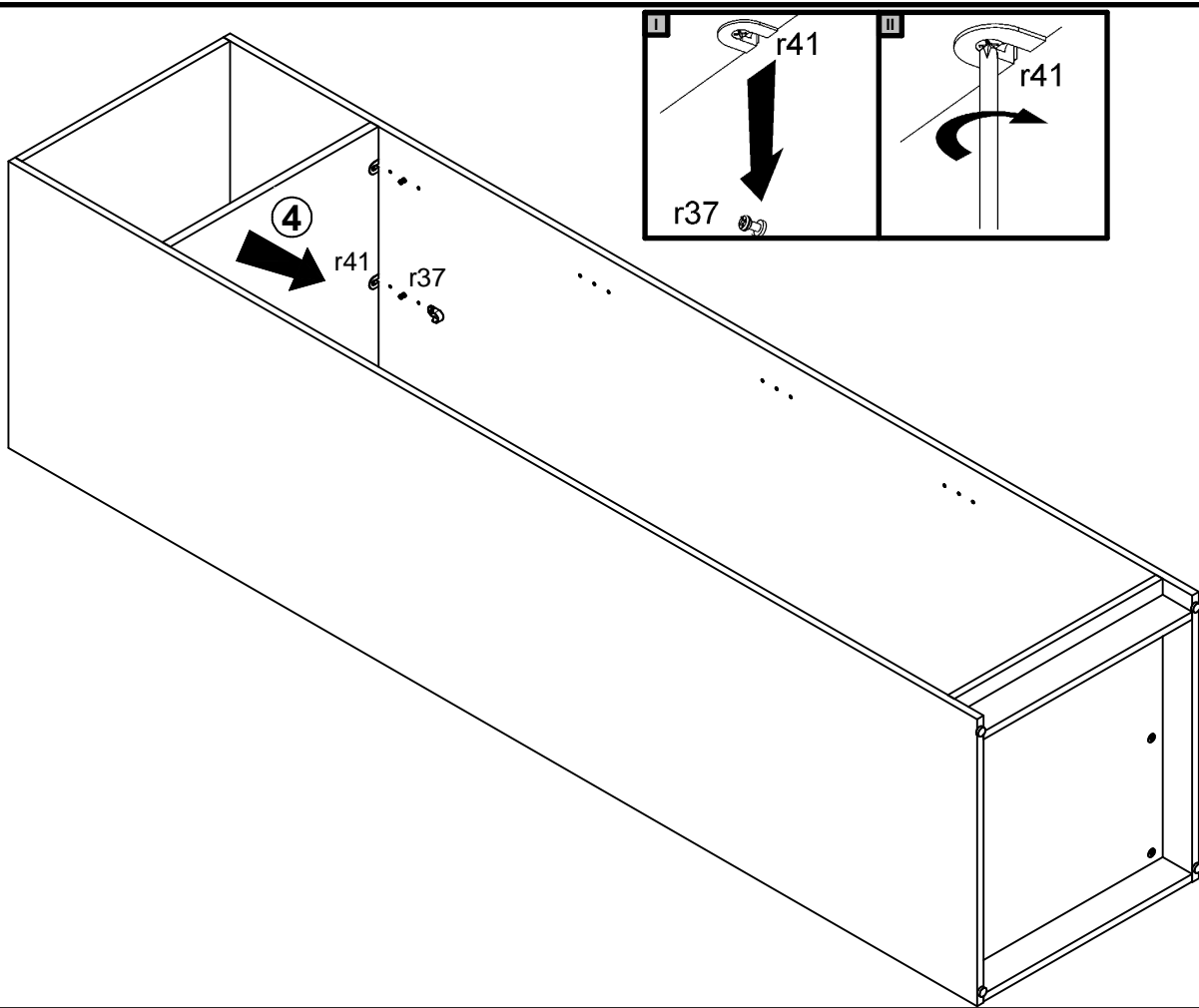
A	B	C	D
1	F30-112	2180	560
2	F30-113	2180	560
3	F30-310	469	560
4	F30-313	469	560
5	F30-319	469	560
6	F30-407	469	66
7	F30-909	2109	494
8	dr-463	463	30



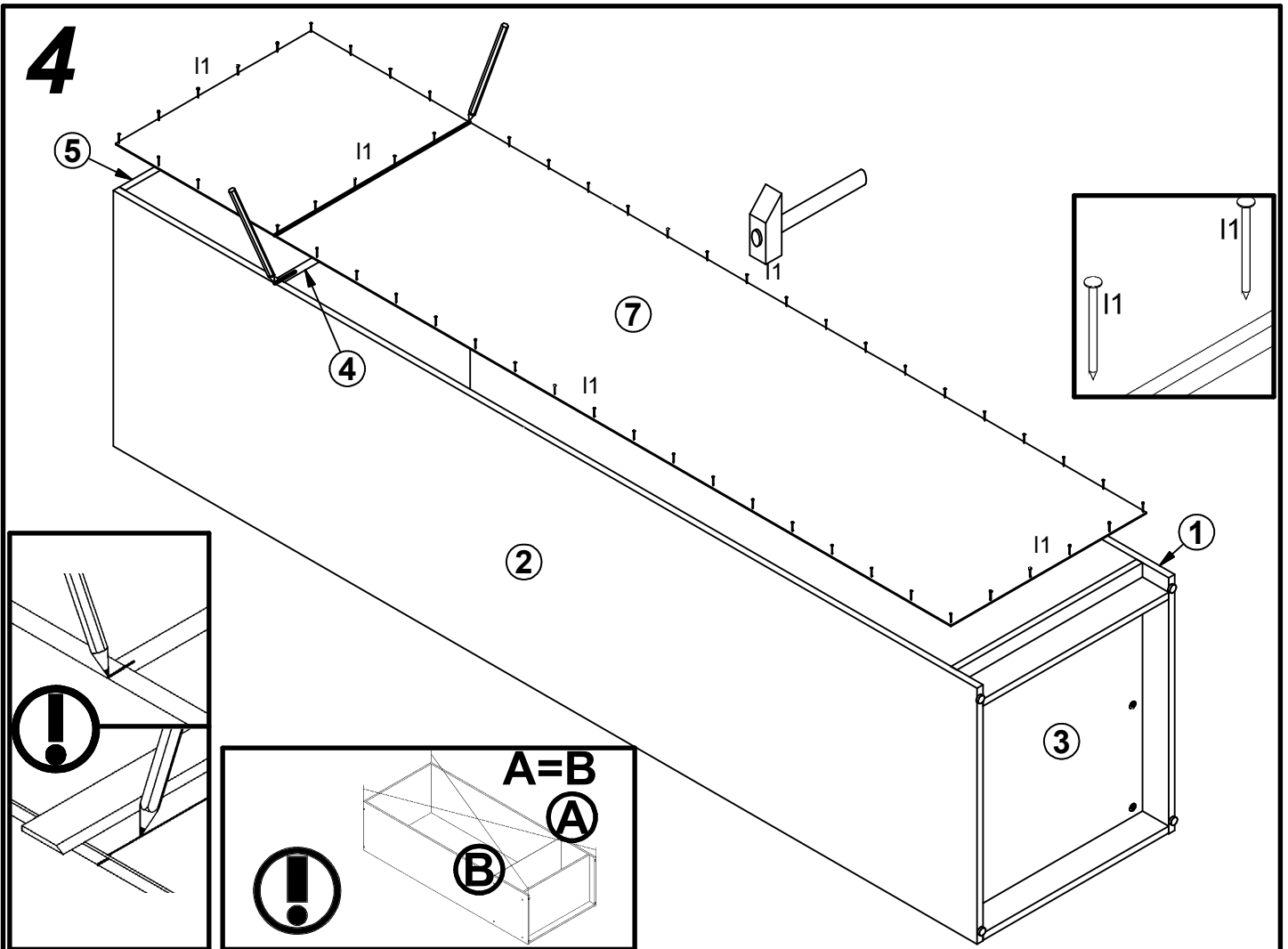
4x  a64	4x  b9	8x  e2 φ6,3x13 mm	16x  f1 φ8x30 mm	4x  k1	55x  l1	2x  n158	2x  p1 φ3,5x13 mm	8x  p51 Ø3,5x15 mm
12x  r1 φ1,5x12mm #16	6x  r37	6x  r41 Ø20x13,5 mm #19	12x  r42	1x  n2611	1x  p38 φ3,5x16 mm			



# 3



# 4



# 5

