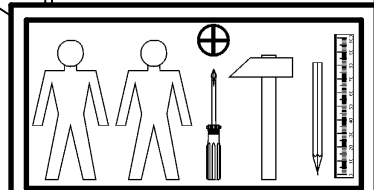
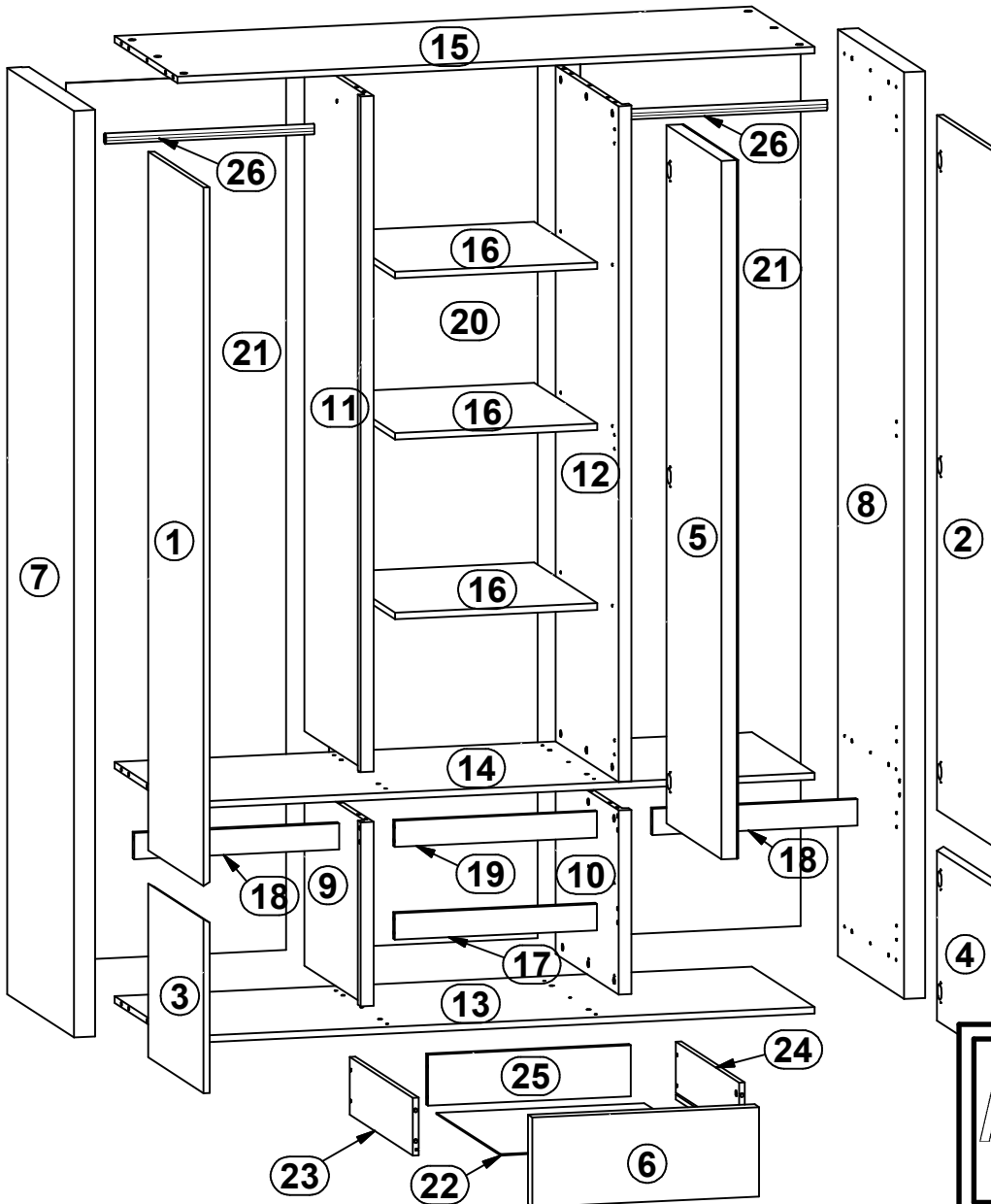
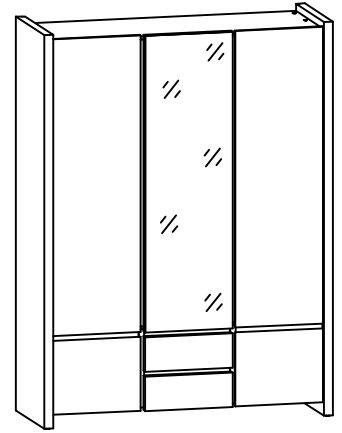


# VENOM

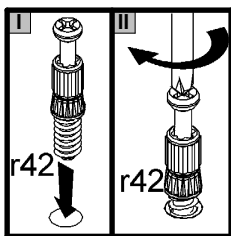
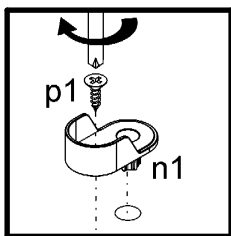
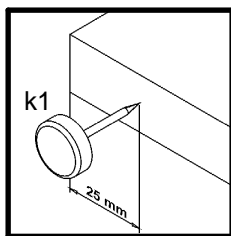
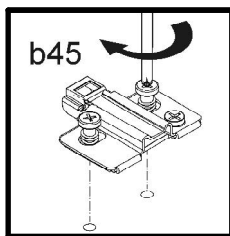
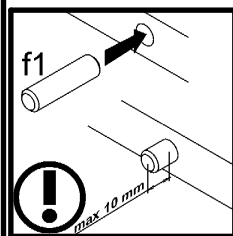
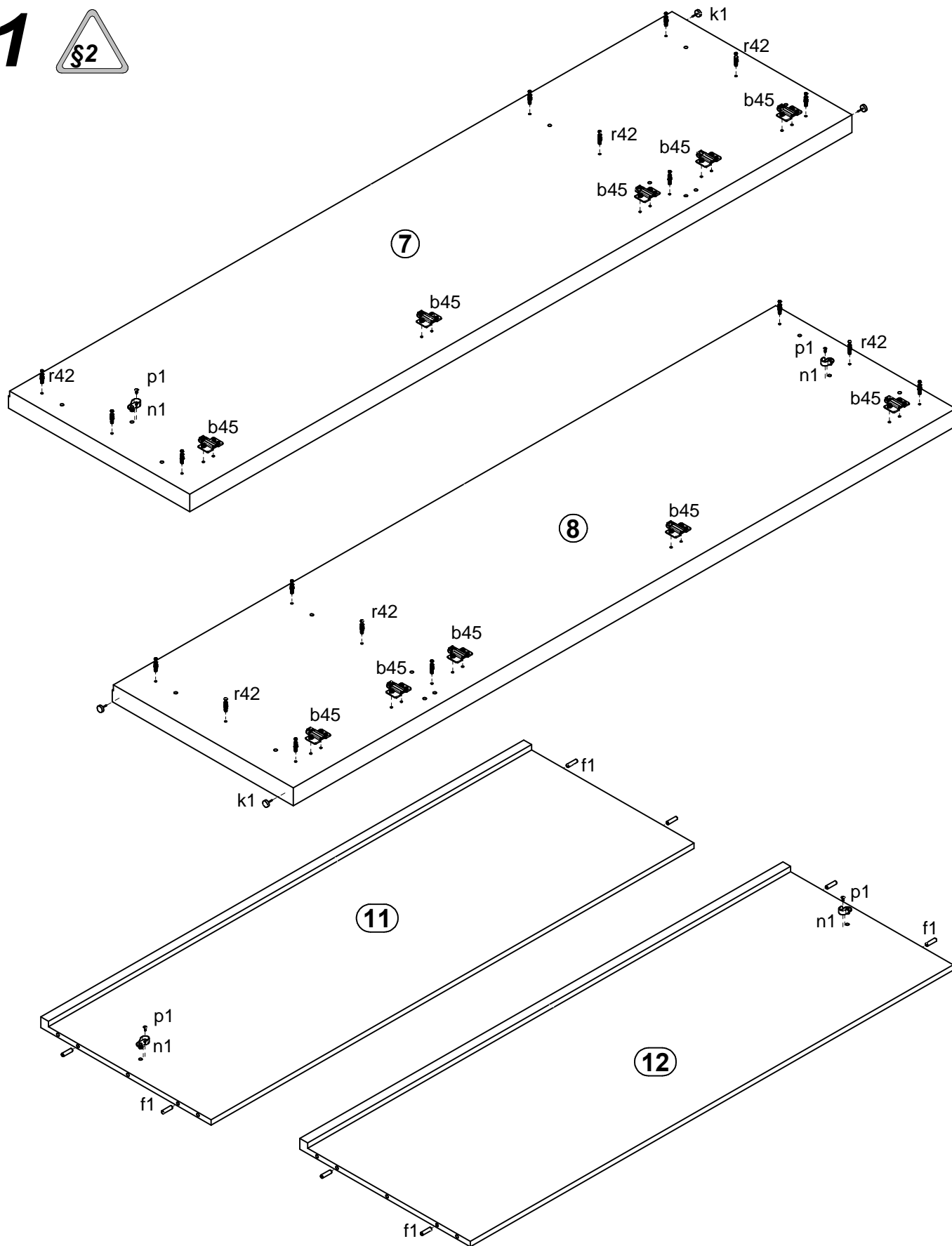
## S139-SZF5D2S

A	B	C	D	A	B	C	D		
1	S139-015	1598	480	6/6	14	S139-319	1485	545	2/6
2	S139-016	1598	480	6/6	15	S139-320	1485	545	2/6
3	S139-017	398	480	5/6	16	S139-327	471	545	3/6
4	S139-018	398	480	5/6	17	S139-407	471	60	3/6
5	S139-019	1598	480	6/6	18	S139-408	477	60	3/6
6	S139-022	480	186	5/6	19	S139-413	471	60	3/6
7	S139-122	2120	580	1/6	20	S139-915	2007	486	1/6
8	S139-123	2120	580	1/6	21	S139-917	2007	513	1/6
9	S139-124	421	545	3/6	22	S139-918	440	506	3/6
10	S139-125	421	545	3/6	23	ZT1-504	500	120	3/6
11	S139-126	1546	545	2/6	24	ZT1-505	500	120	3/6
12	S139-127	1546	545	2/6	25	ZT1-506	429	106	3/6
13	S139-318	1485	545	2/6	26	dr-486	486	22	3/6

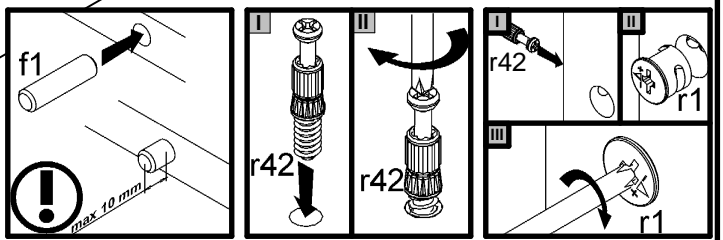
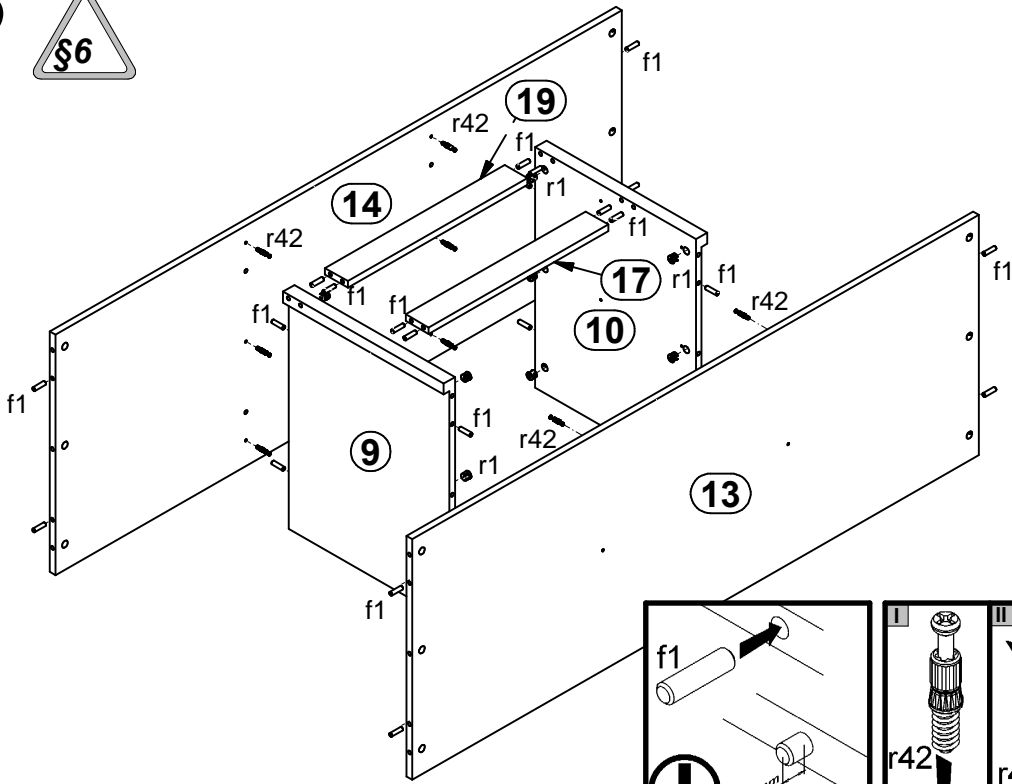


10x  a101	3x  a103	10x  b45	3x  b46	12x  d1	2x  e2	8x  e3	44x  f1	8x  f25
4x  k1	2x  k3813	2x  k3818	170x  l1	4x  n1	4x  p1	16x  p38	26x  p51	42x  r1
8x  r15	50x  r42	2x  w9812L	2x  w9812P	12x  s2				

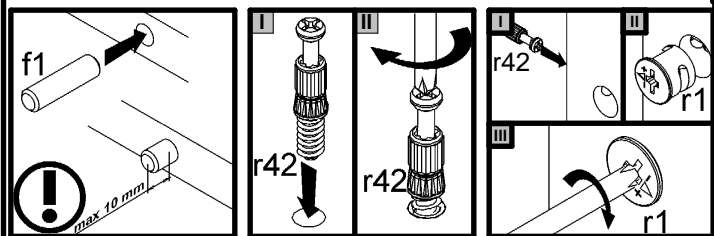
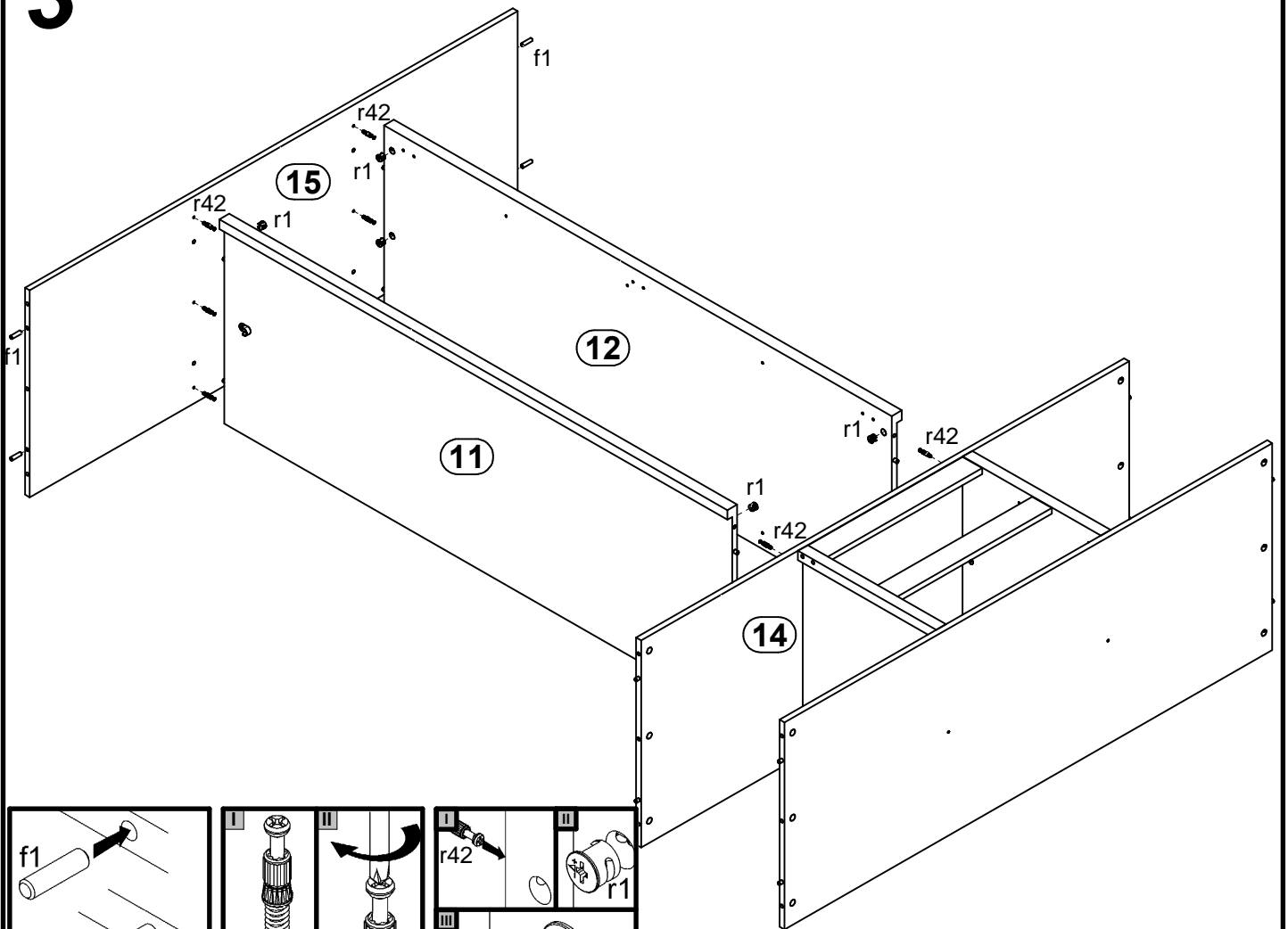
# 1

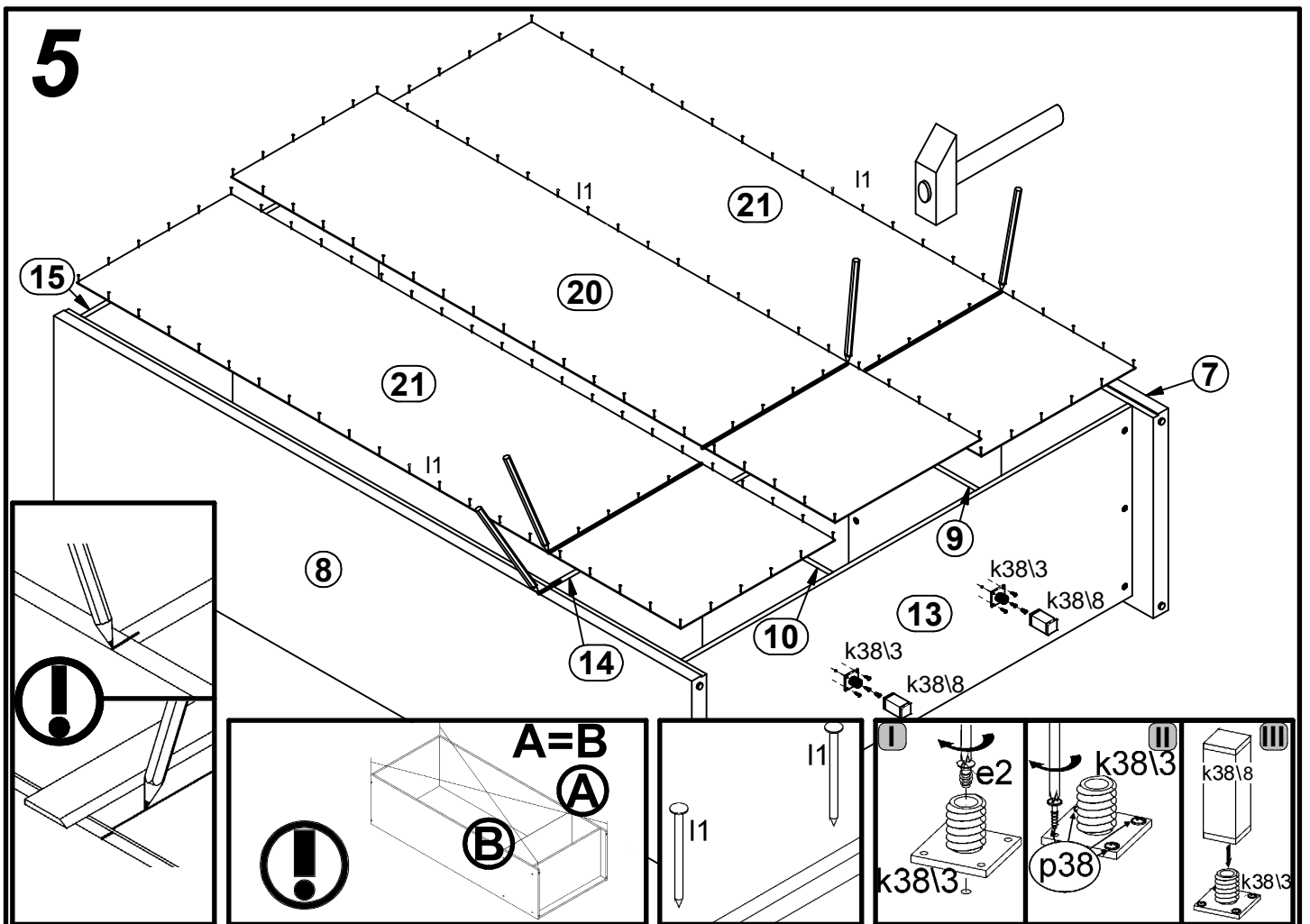
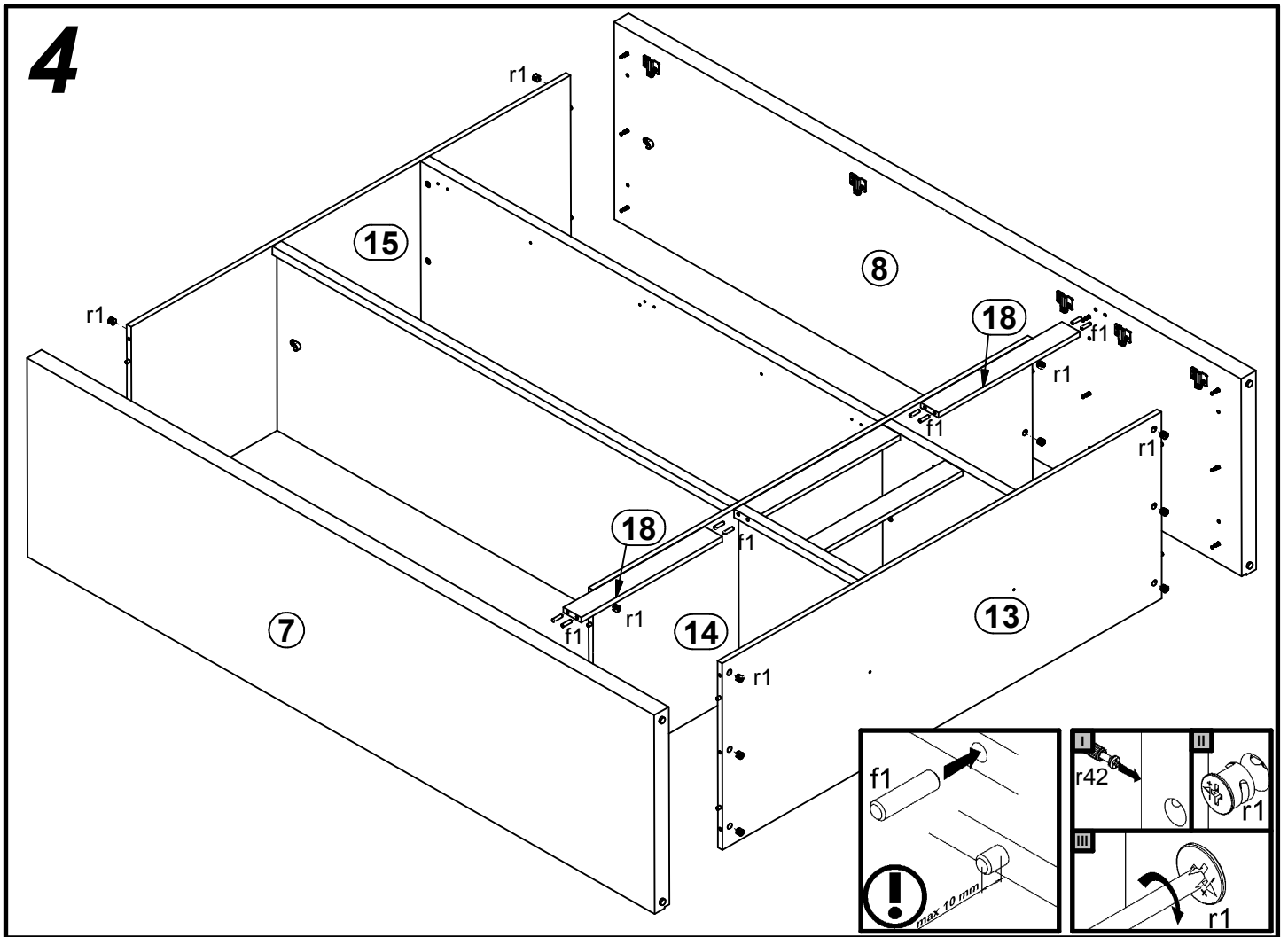


# 2

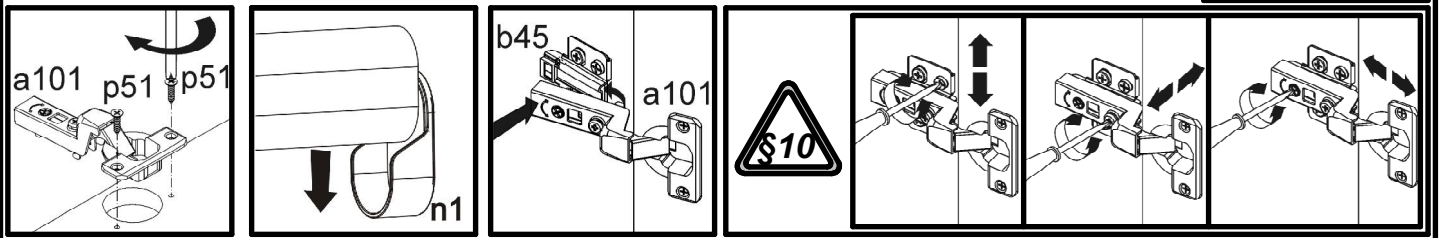
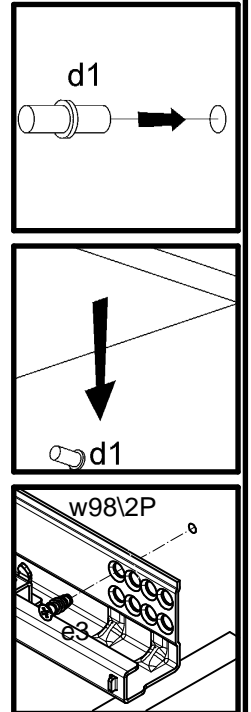
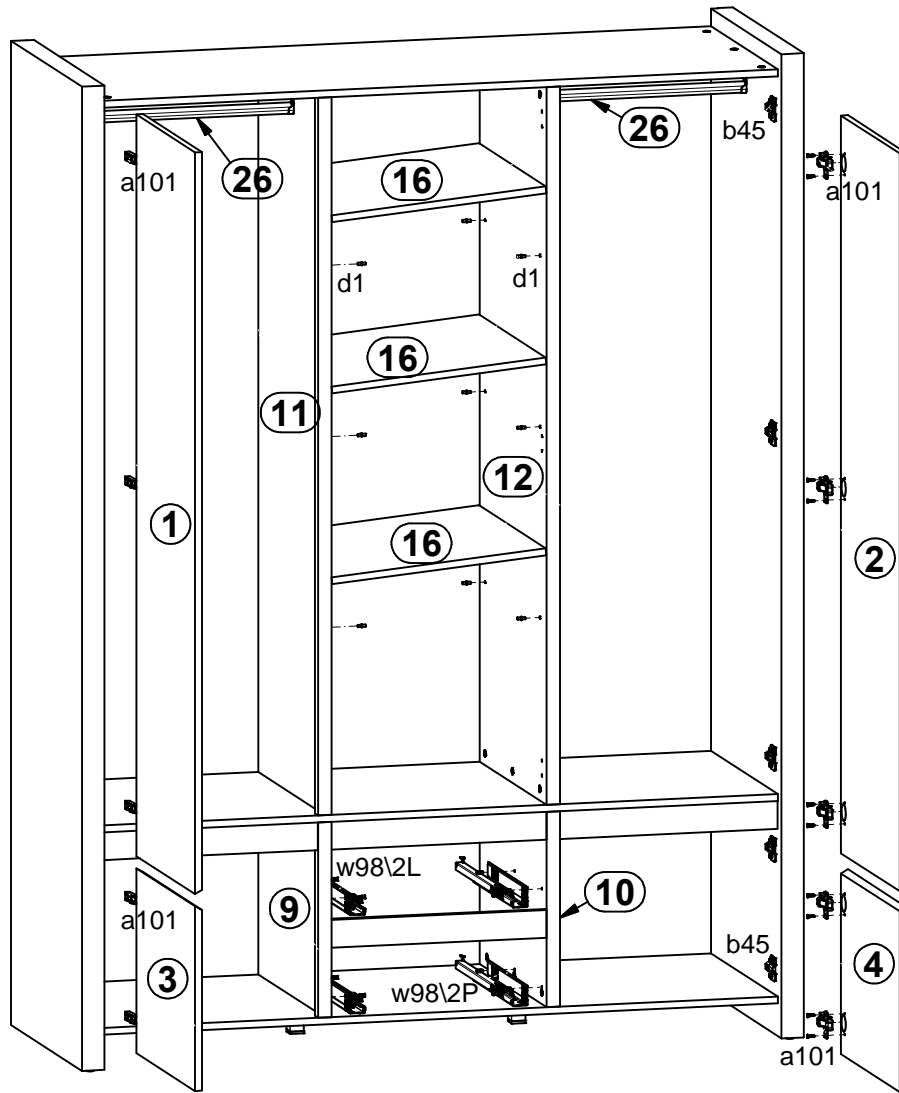


# 3

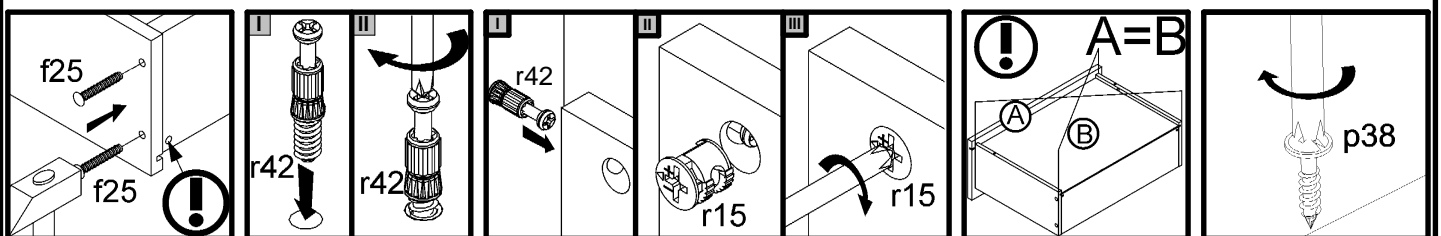
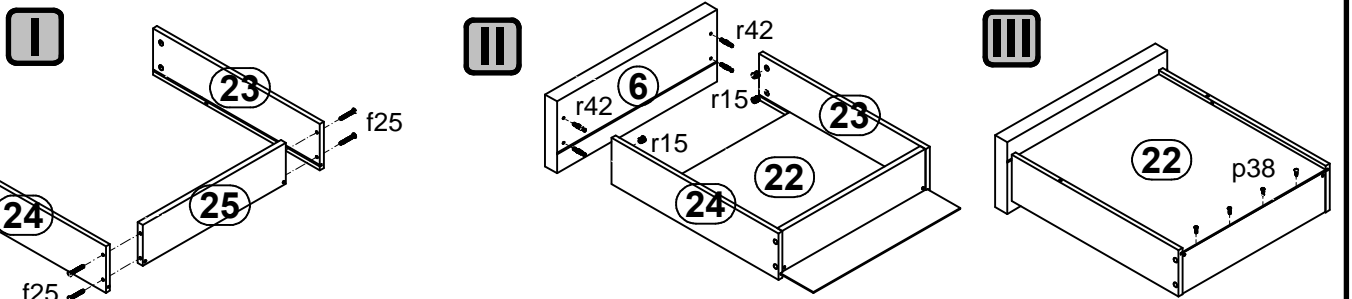




# 6



# 7



8

