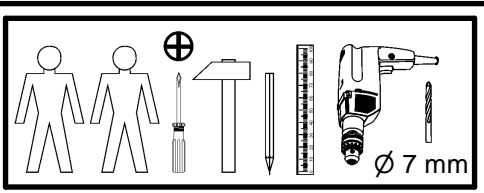
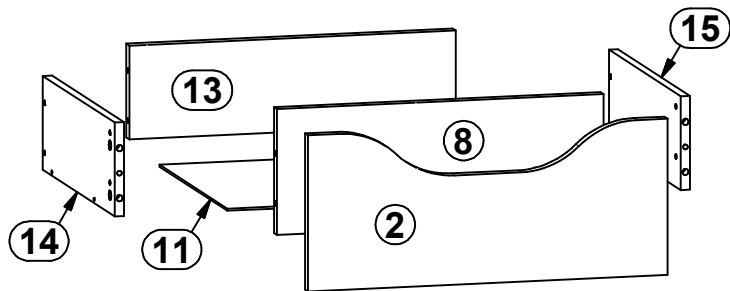
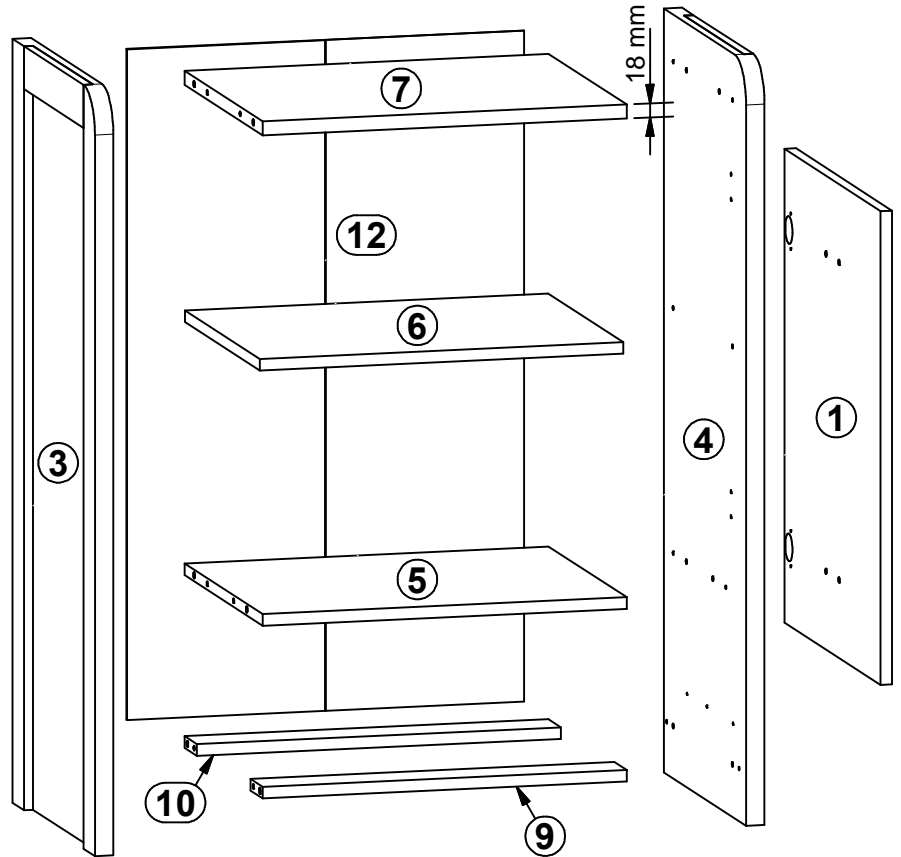
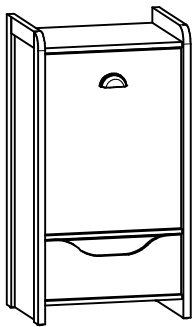
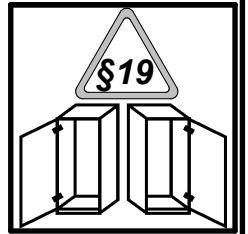


RUPI

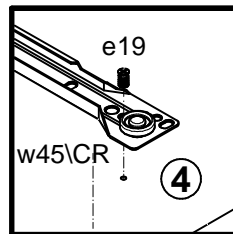
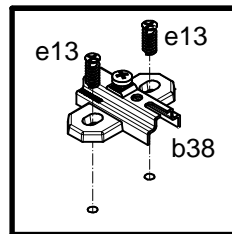
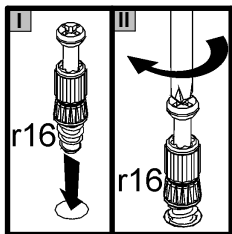
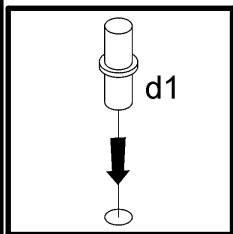
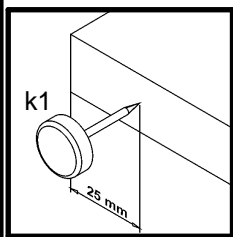
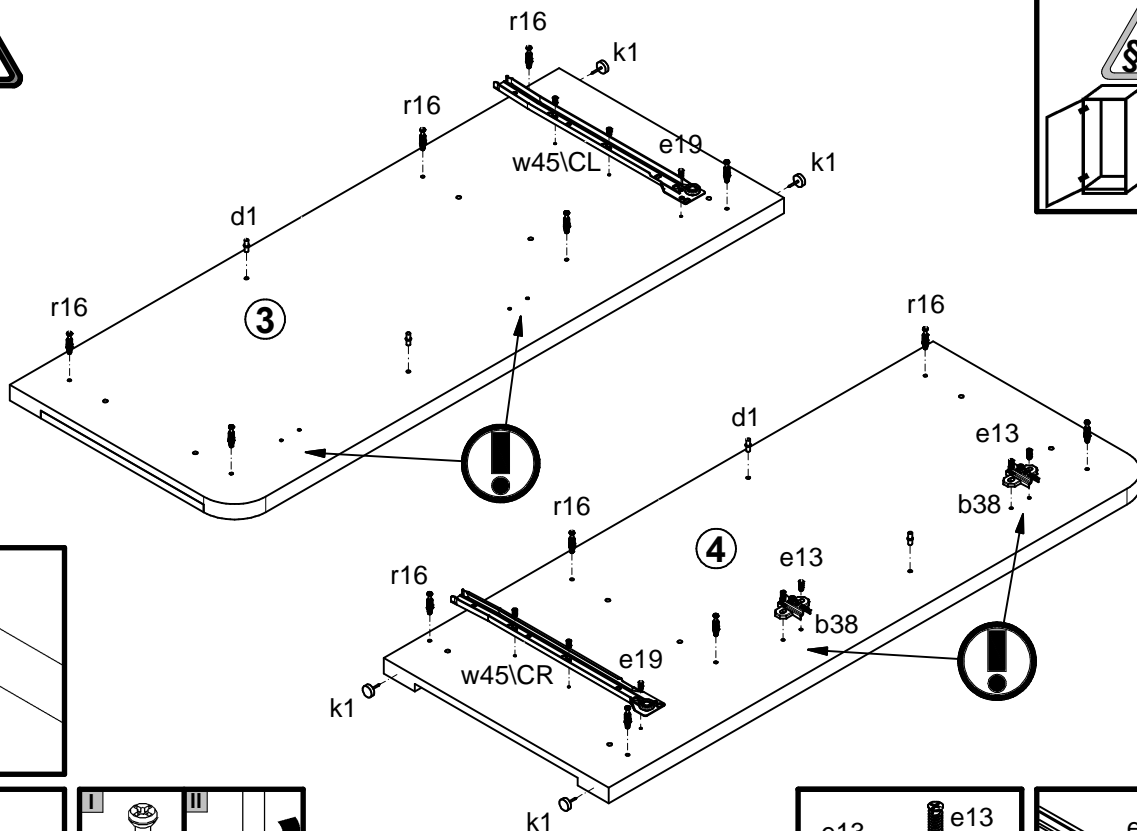
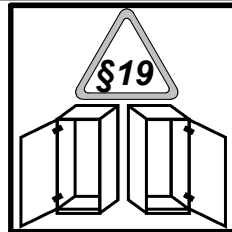
S303-KOM1D1S

A	B	C	D	
1	S303-007	606	468	3/3
2	S193-008	468	200	3/3
3	S193-103	977	400	1/3
4	S193-104	977	400	1/3
5	S193-302	474	380	1/3
6	S193-308	473	364	1/3
7	S193-315	474	380	1/3
8	S303-402	425	161	3/3
9	S193-405	474	60	1/3
10	S193-406	474	60	1/3
11	S193-904	447	330	1/3
12	S193-911	858	517	1/3
13	ZS3-5555	425	120	1/3
14	ZT5-501	350	120	1/3
15	ZT5-502	350	120	1/3

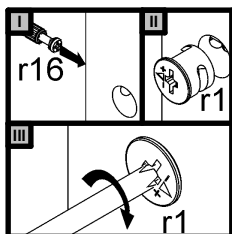
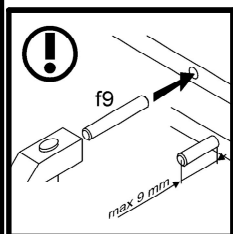
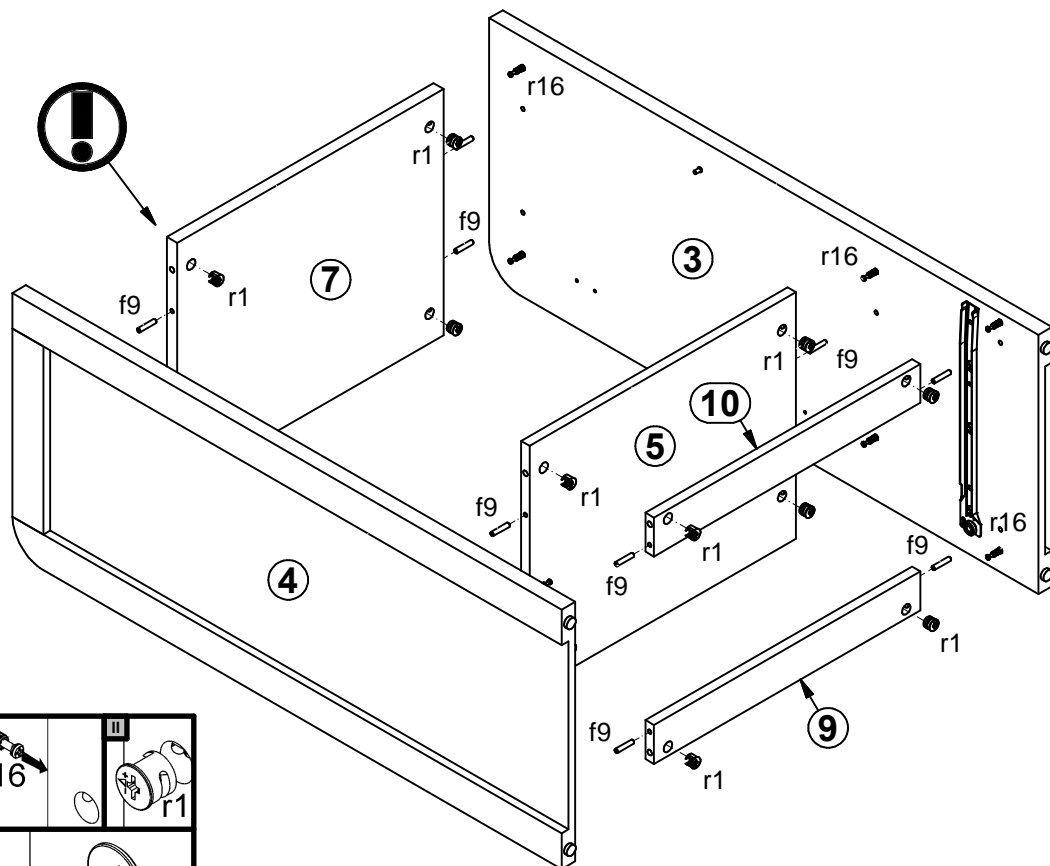


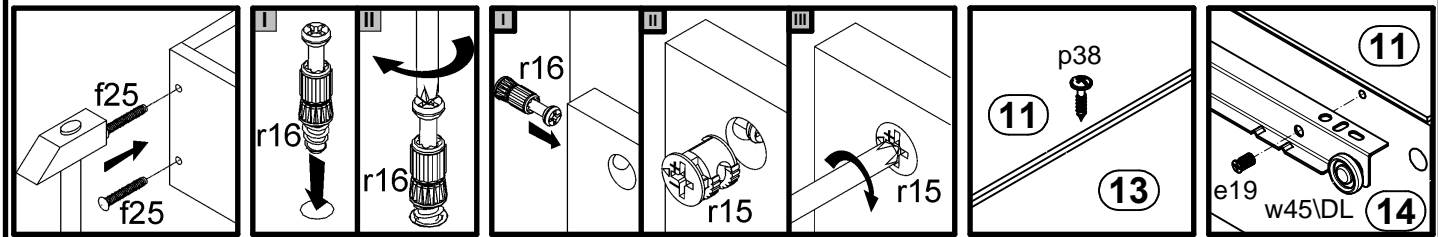
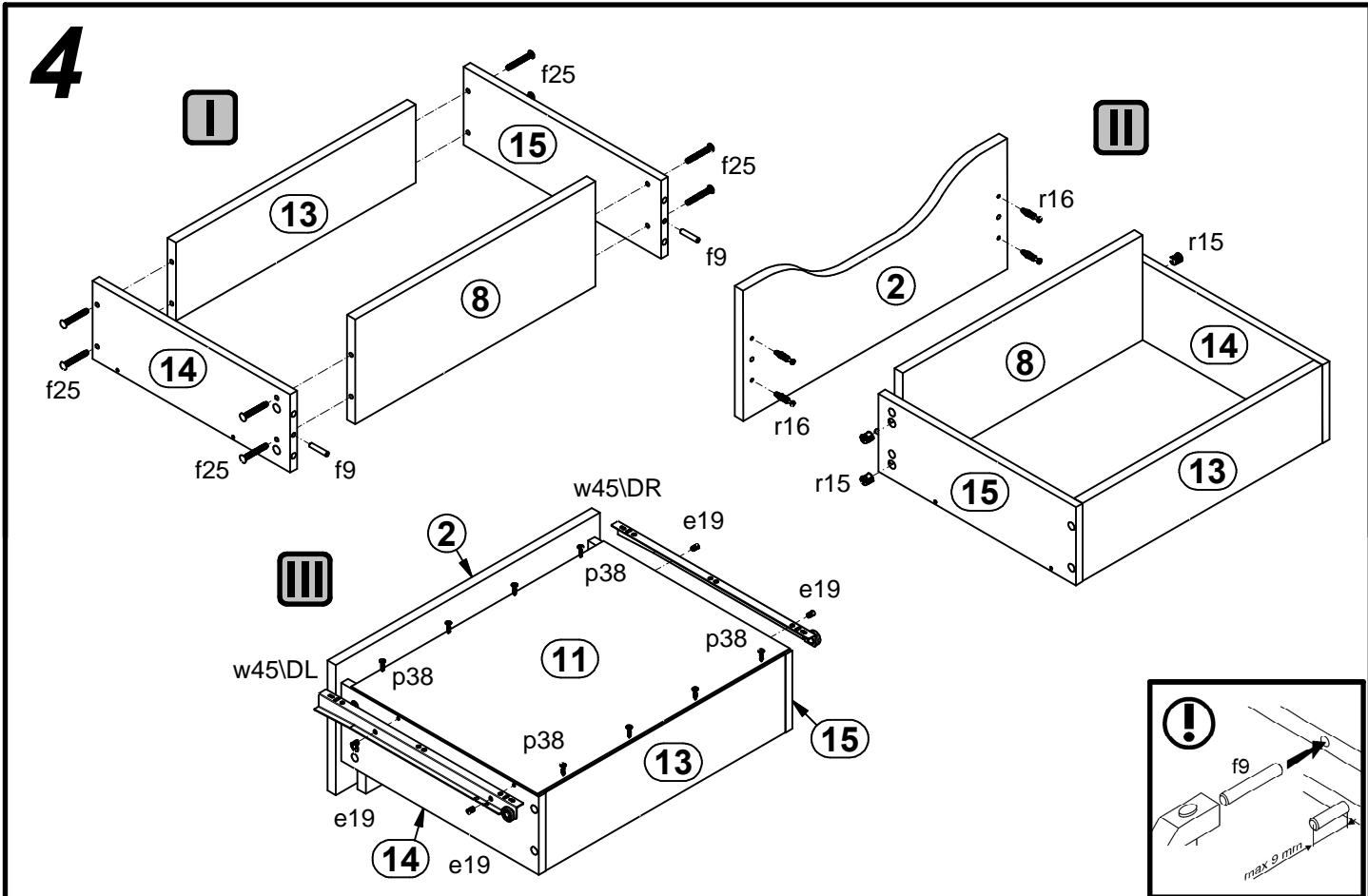
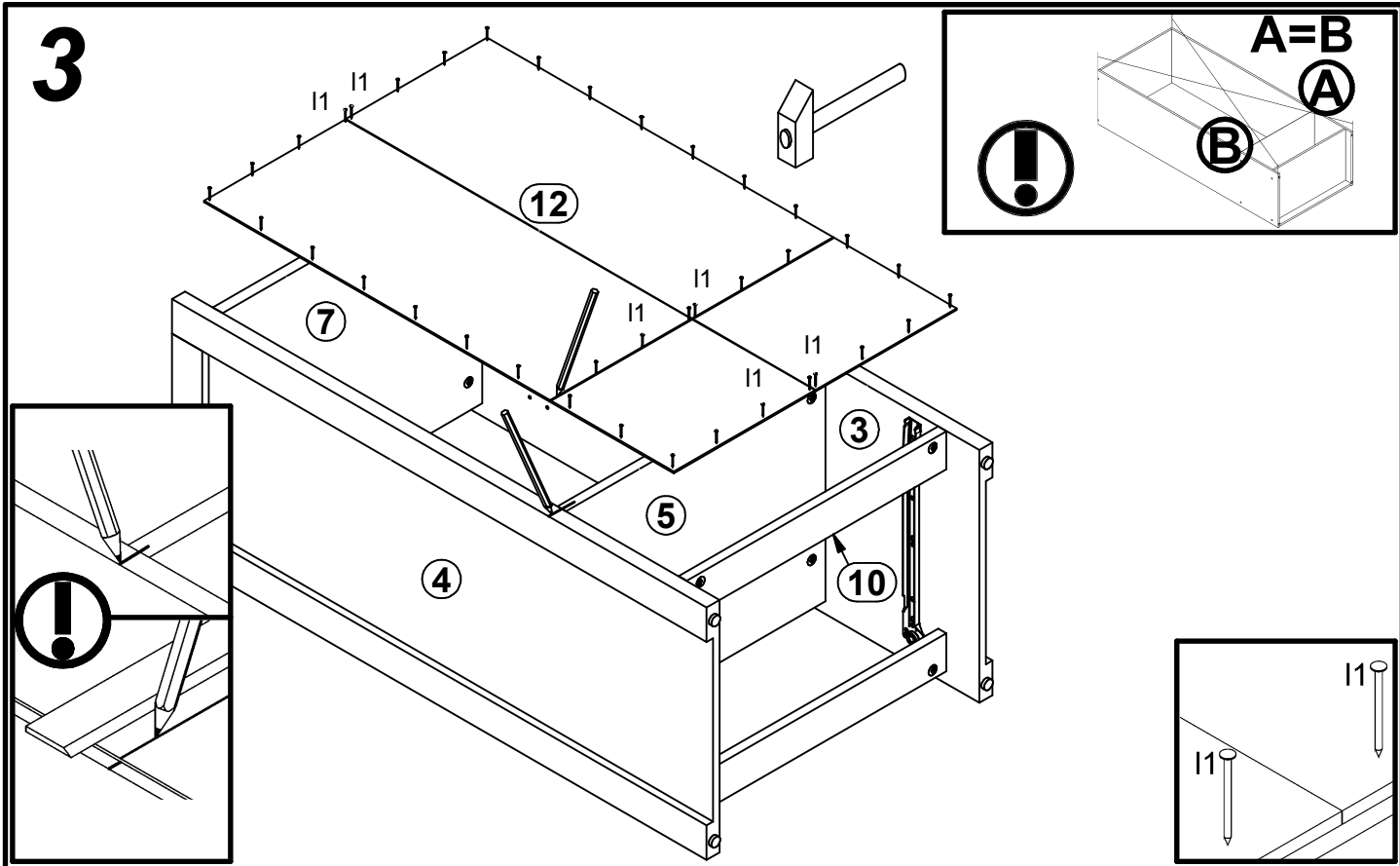
2x a43	2x b38	1x c363	4x Ø5x17 mm d1	4x Ø5.5x13 mm e13	10x Ø5x9 mm e19	8x Ø6.5x40 mm f25	14x Ø6x30 mm f9	2x Ø4x16 mm p129	
4x k1	35x l1	8x Ø3.5x16 mm p38	4x Ø3.5x15 mm p51	12x Ø15x12 mm #16 r1	4x Ø12x10.5 mm #12 r15	16x r16	1x 350 mm w45\CL	1x 350 mm w45\CR	
1x 350 mm w45\DL	1x 350 mm w45\DR	1x n26\1	1x Ø3.5x16 mm p38						

1 §2



2 §6





5

