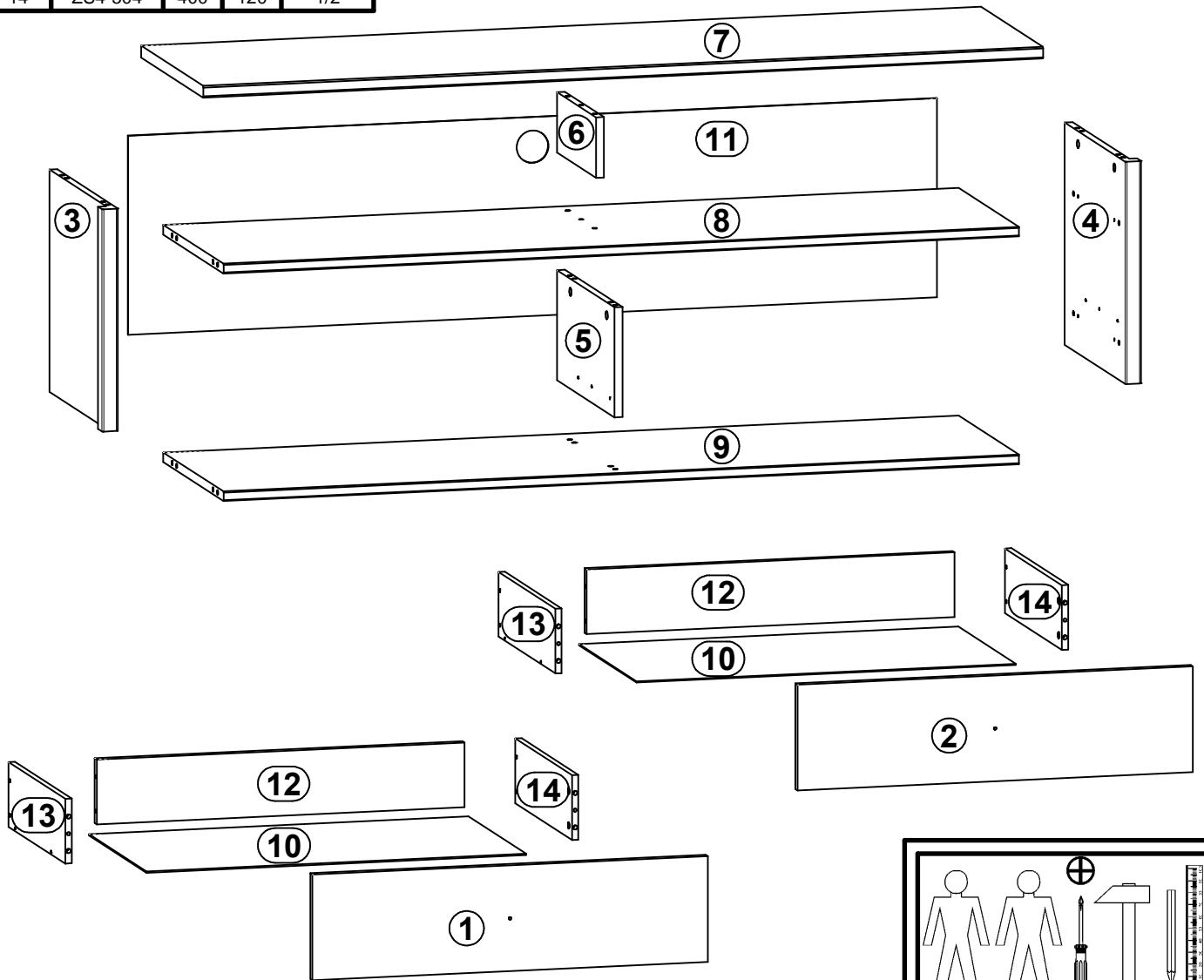
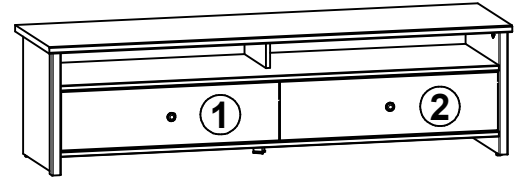
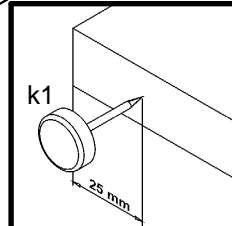
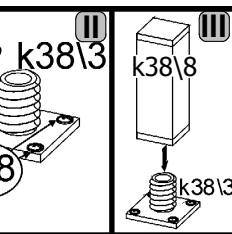
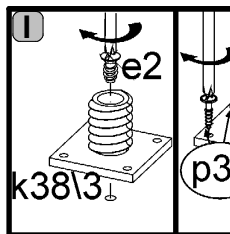
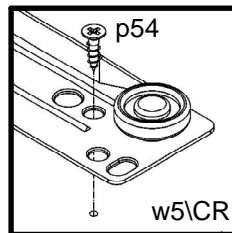
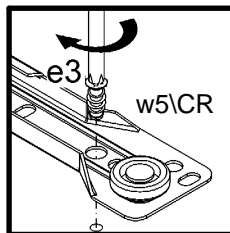
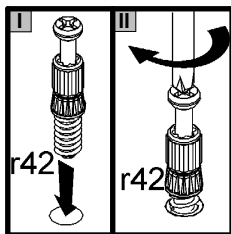
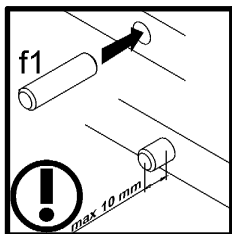
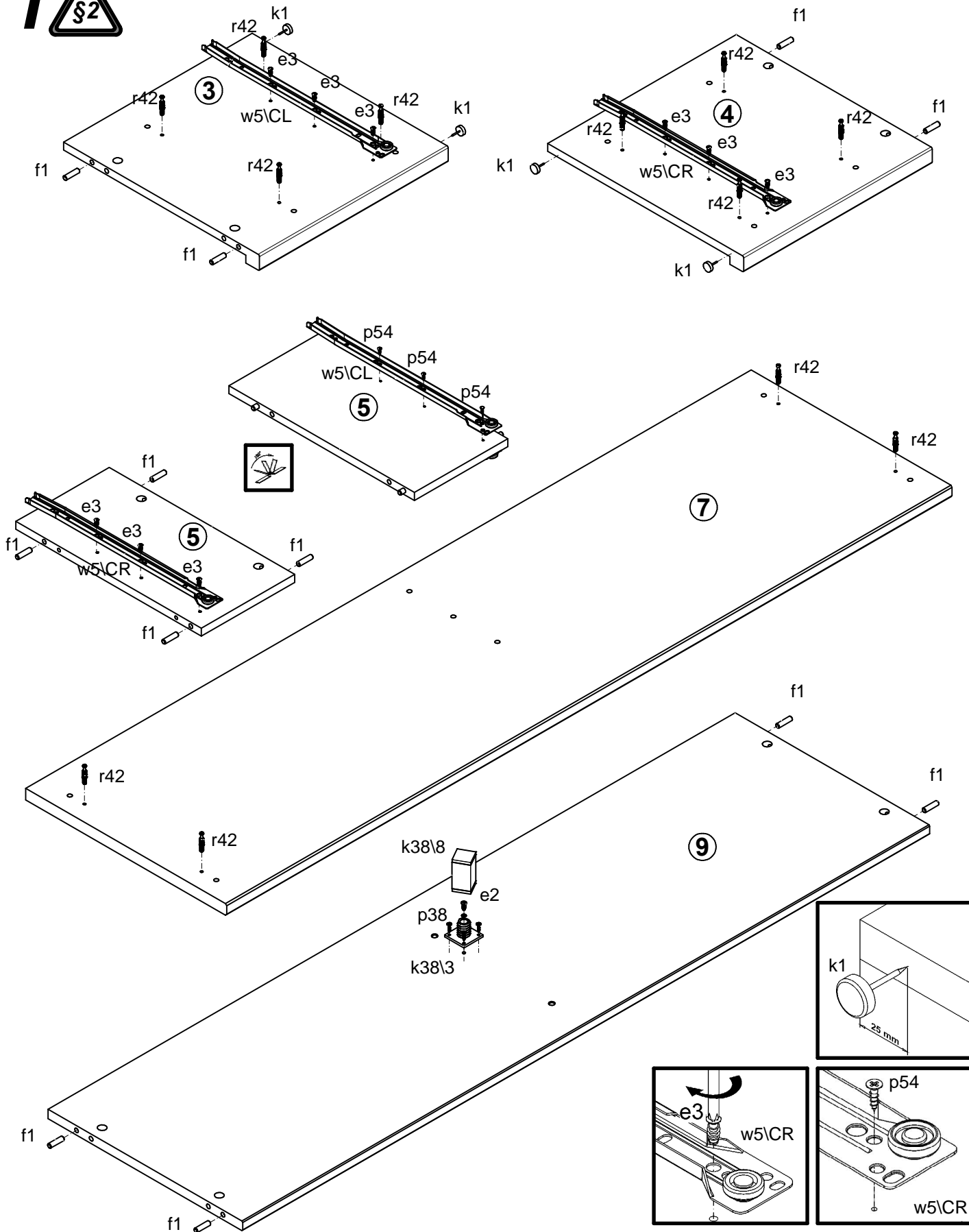


A	B	C	D	
1	S322-025	746	196	2/2
2	S322-026	746	196	2/2
3	S322-105	412	428	1/2
4	S322-106	412	428	1/2
5	S322-107	204	405	1/2
6	S322-108	112	275	1/2
7	S322-213	1585	439	1/2
8	S322-323	1501	425	1/2
9	S322-324	1501	425	1/2
10	S322-931	716	405	1/2
11	S322-932	369	1526	1/2
12	ZS3-5629	694	120	1/2
13	ZS4-503	400	120	1/2
14	ZS4-504	400	120	1/2

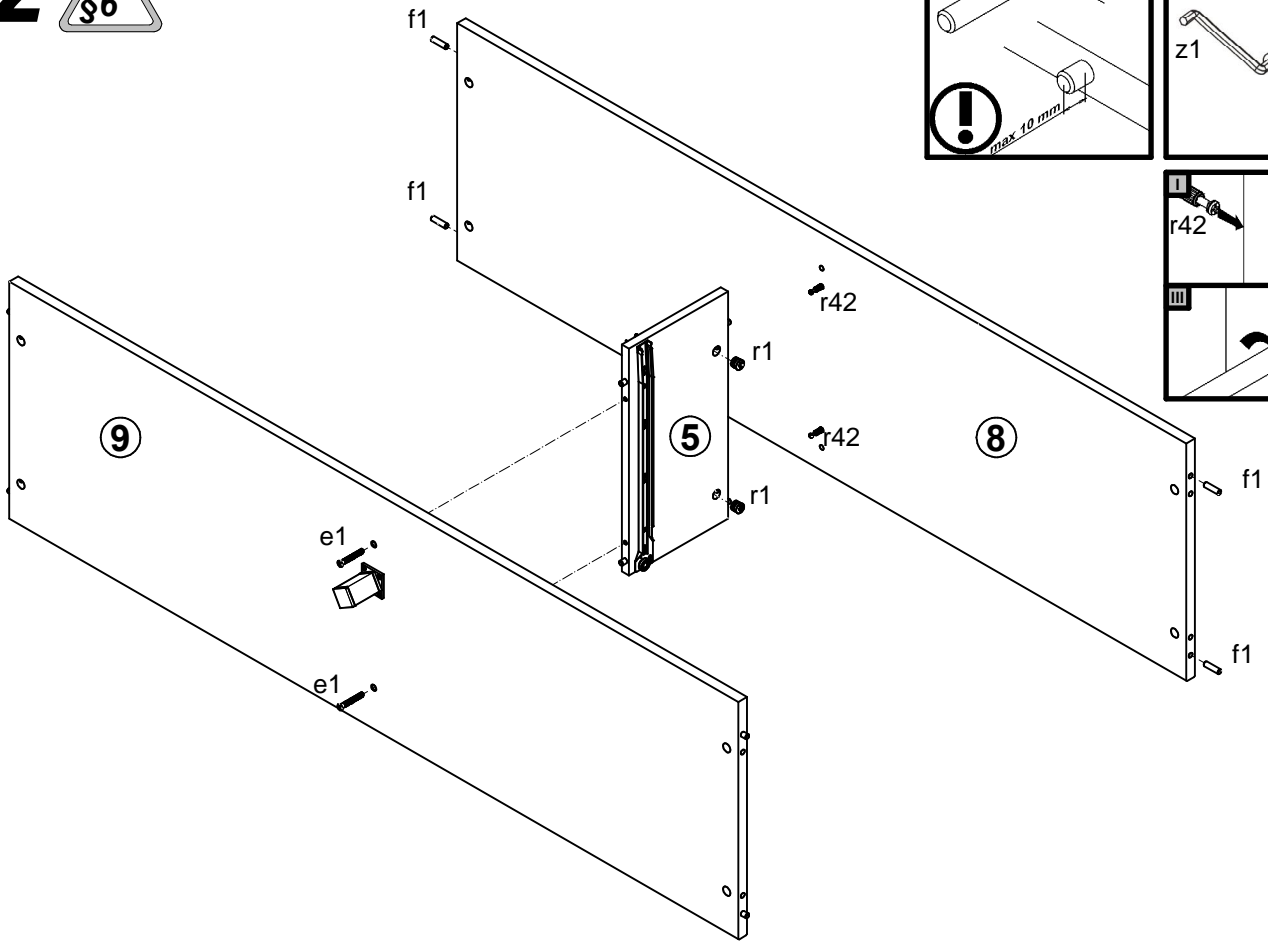
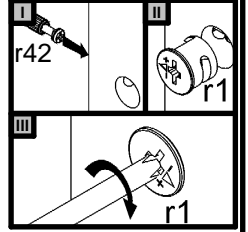
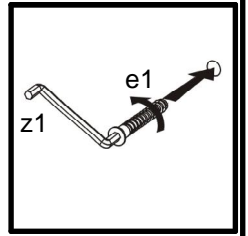
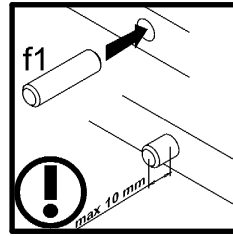


2x M4 c415	2x Ø7x50 mm e1	1x Ø6,3x13 mm e2	9x Ø6x13 mm e3	8x Ø5x9 mm e19	22x Ø8x30 mm f1	4x Ø6x30 mm f9	8x Ø6,5x40 mm f25	2x M4x20 mm j1
4x k1	1x 42,5x42,5x4 mm k38\3	1x 30x30x60 mm k38\8	55x l1	2x Ø3,5x16 mm p25	2x Ø3,5x10 mm p35	16x Ø3,5x16 mm p38	3x Ø3x12 mm p54	14x Ø15x12 mm #16 r1
8x Ø12x10,5 mm #12 r15	22x 20/11 r42	2x 400 mm t33	2x 400 mm w5\CL	2x 400 mm w5\CR	2x 400 mm w5\DL	2x 400 mm w5\DR	5x Ø16 s2	1x z1

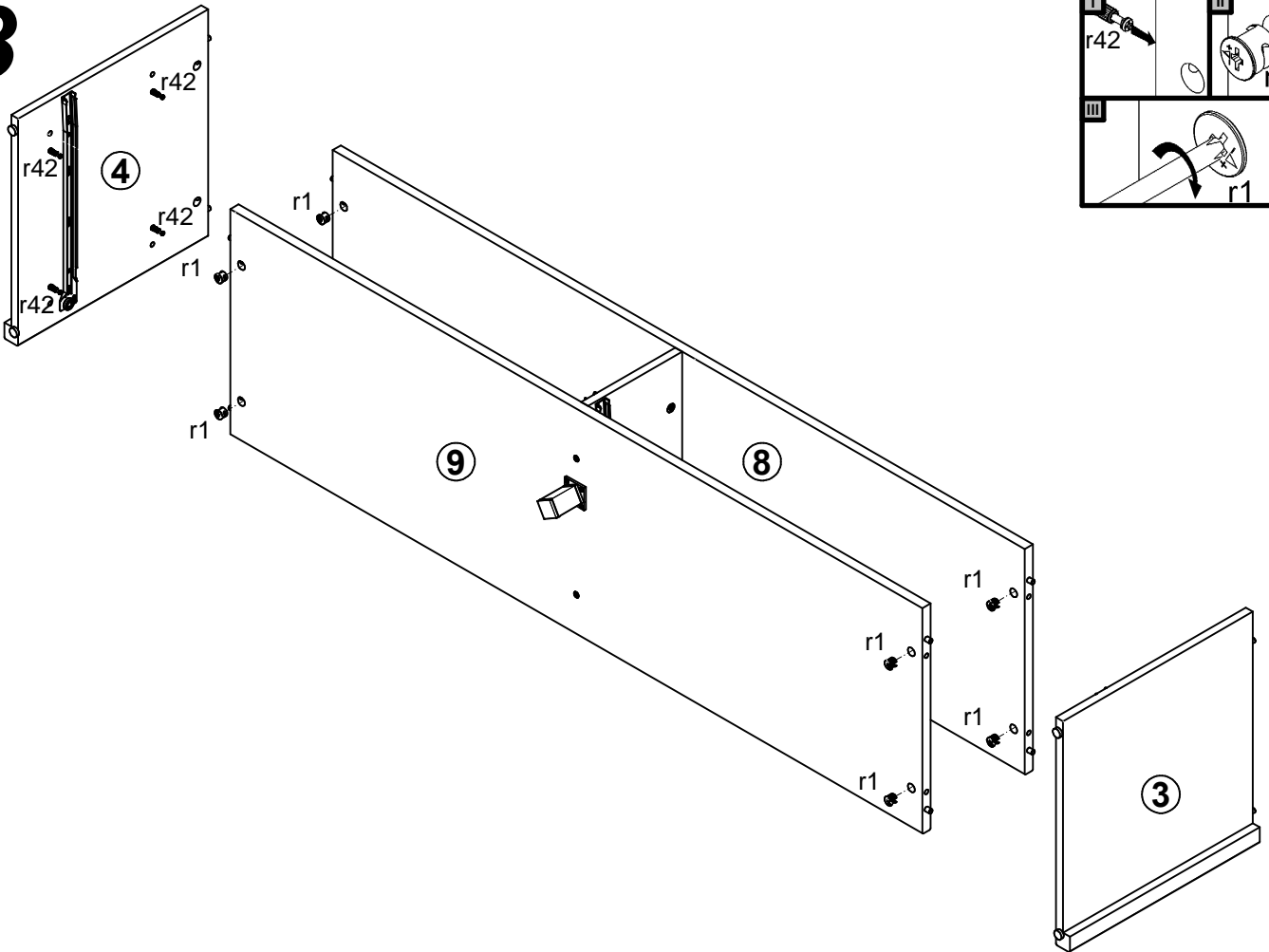
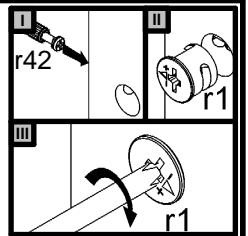
1 



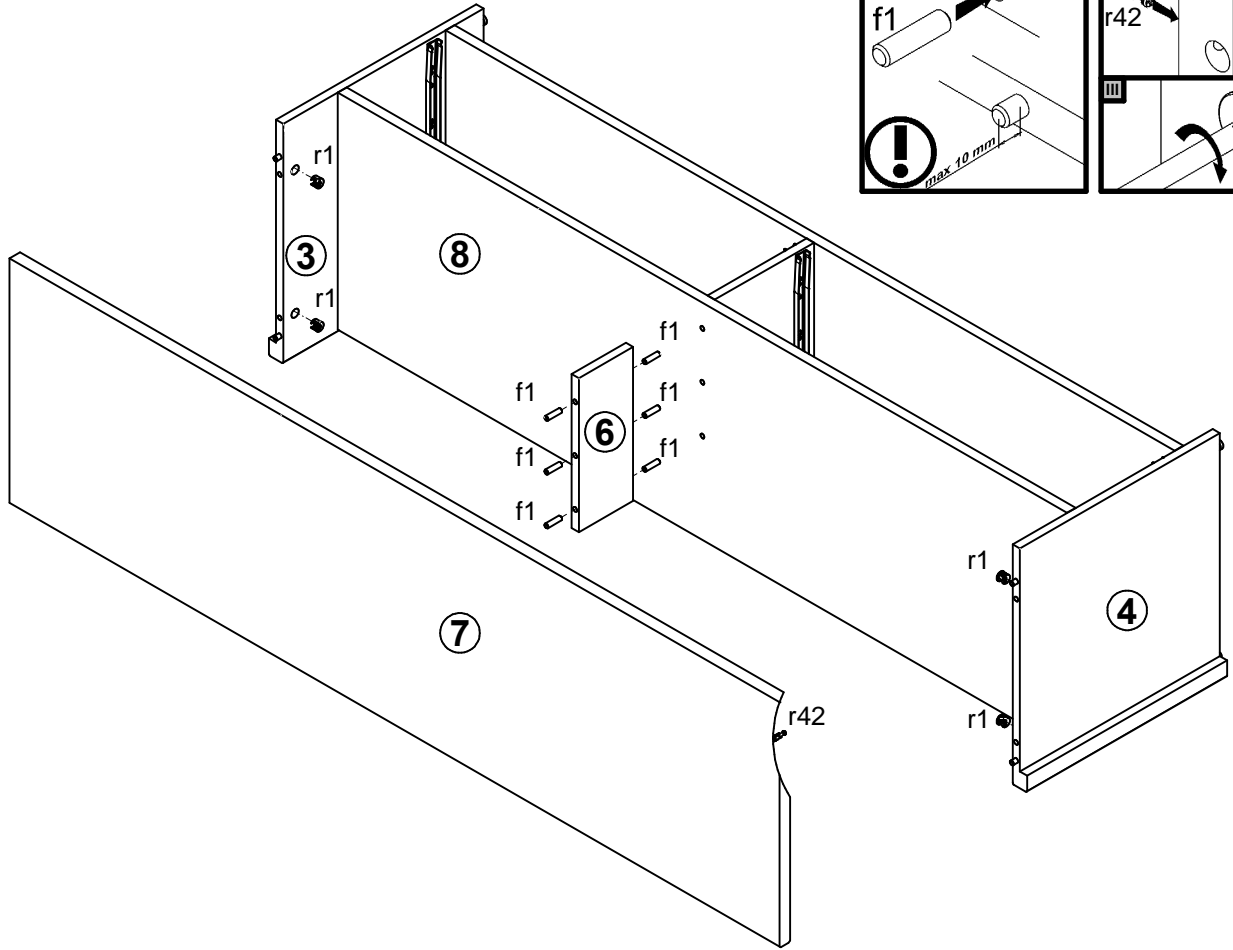
# 2



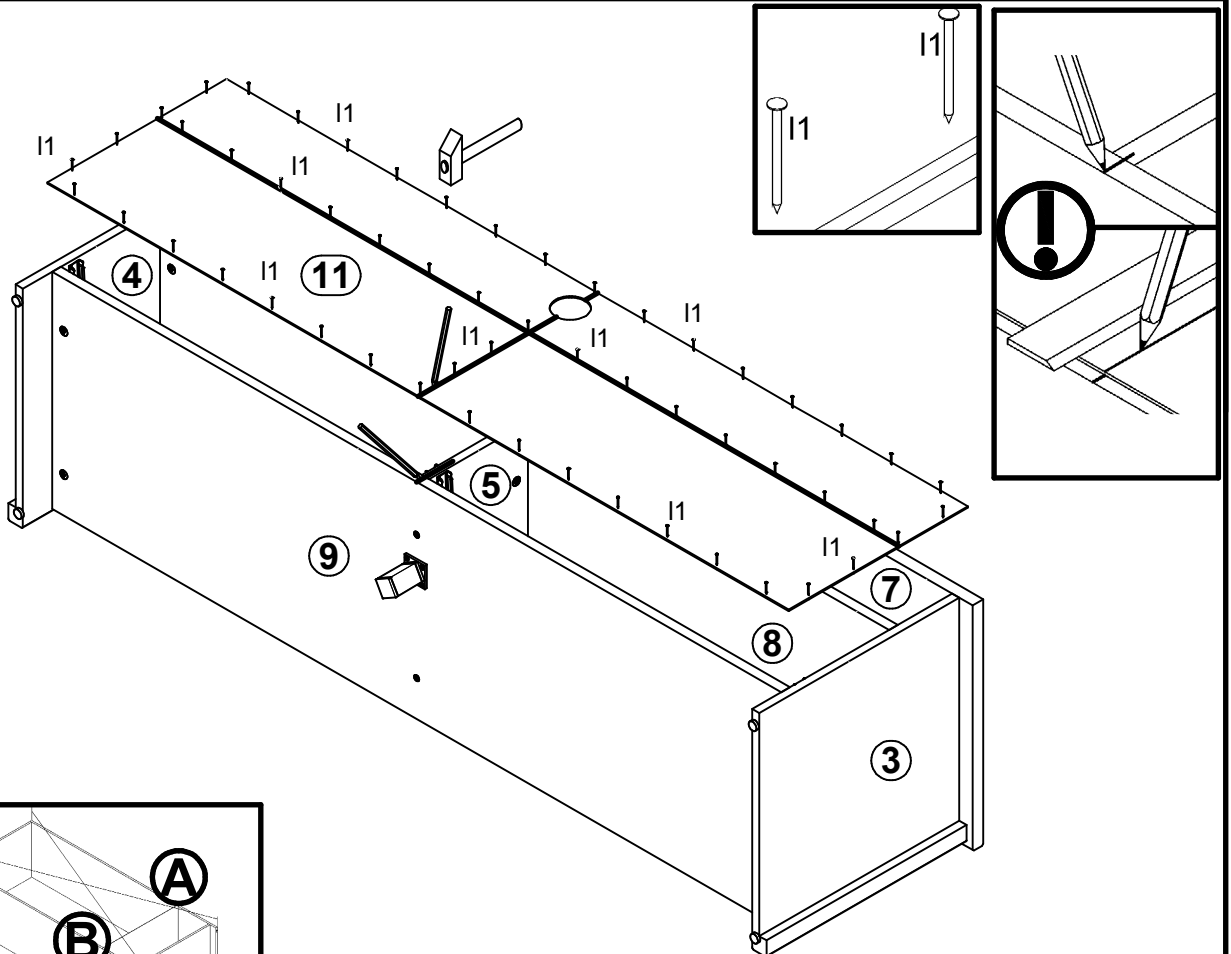
# 3



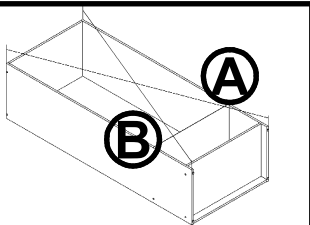
# 4



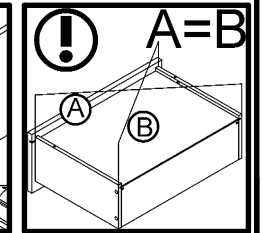
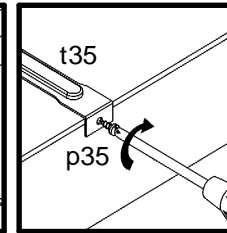
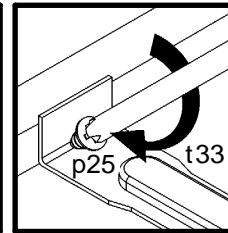
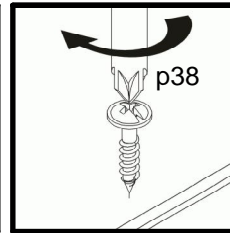
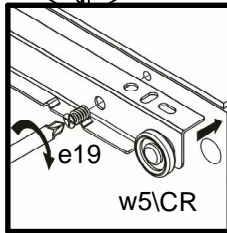
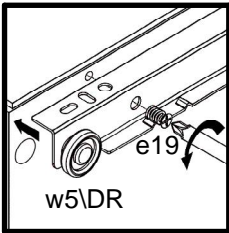
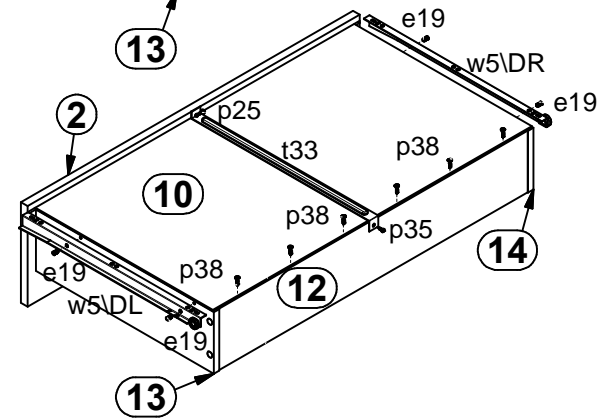
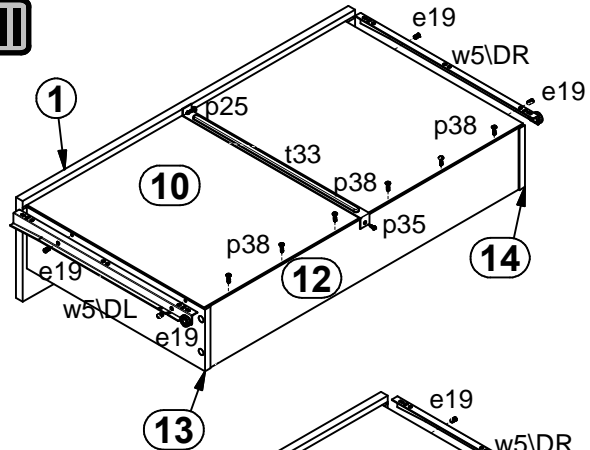
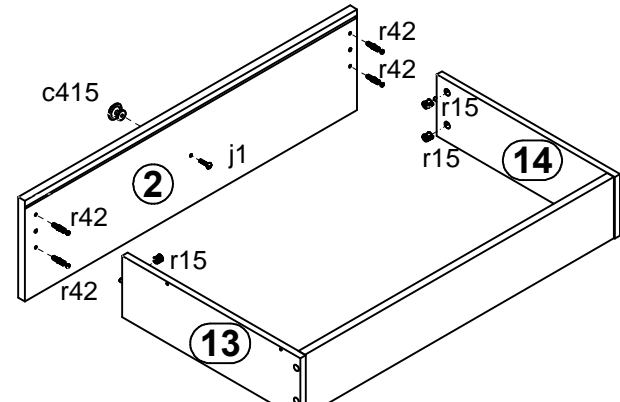
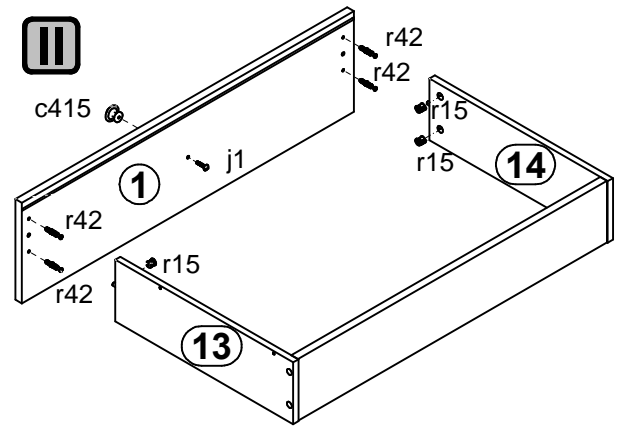
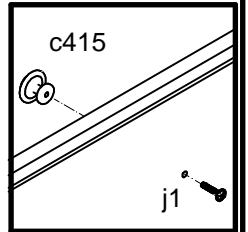
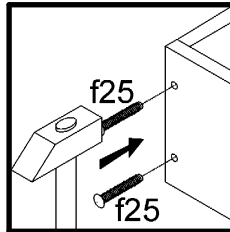
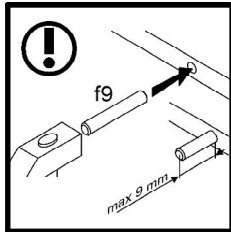
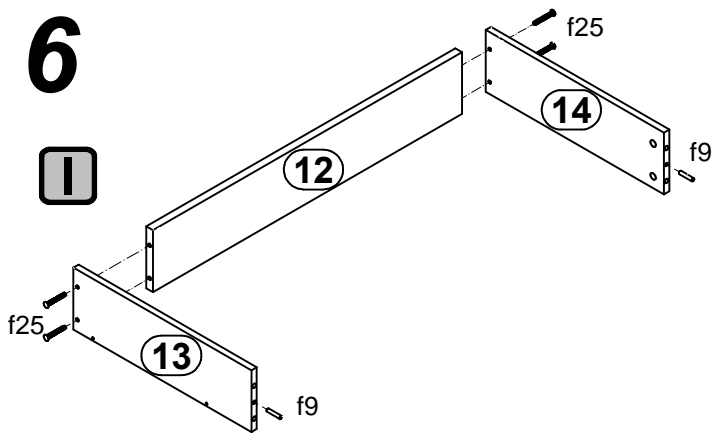
# 5



A=B



# 6



# 7

