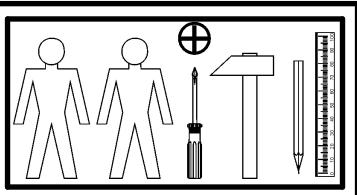
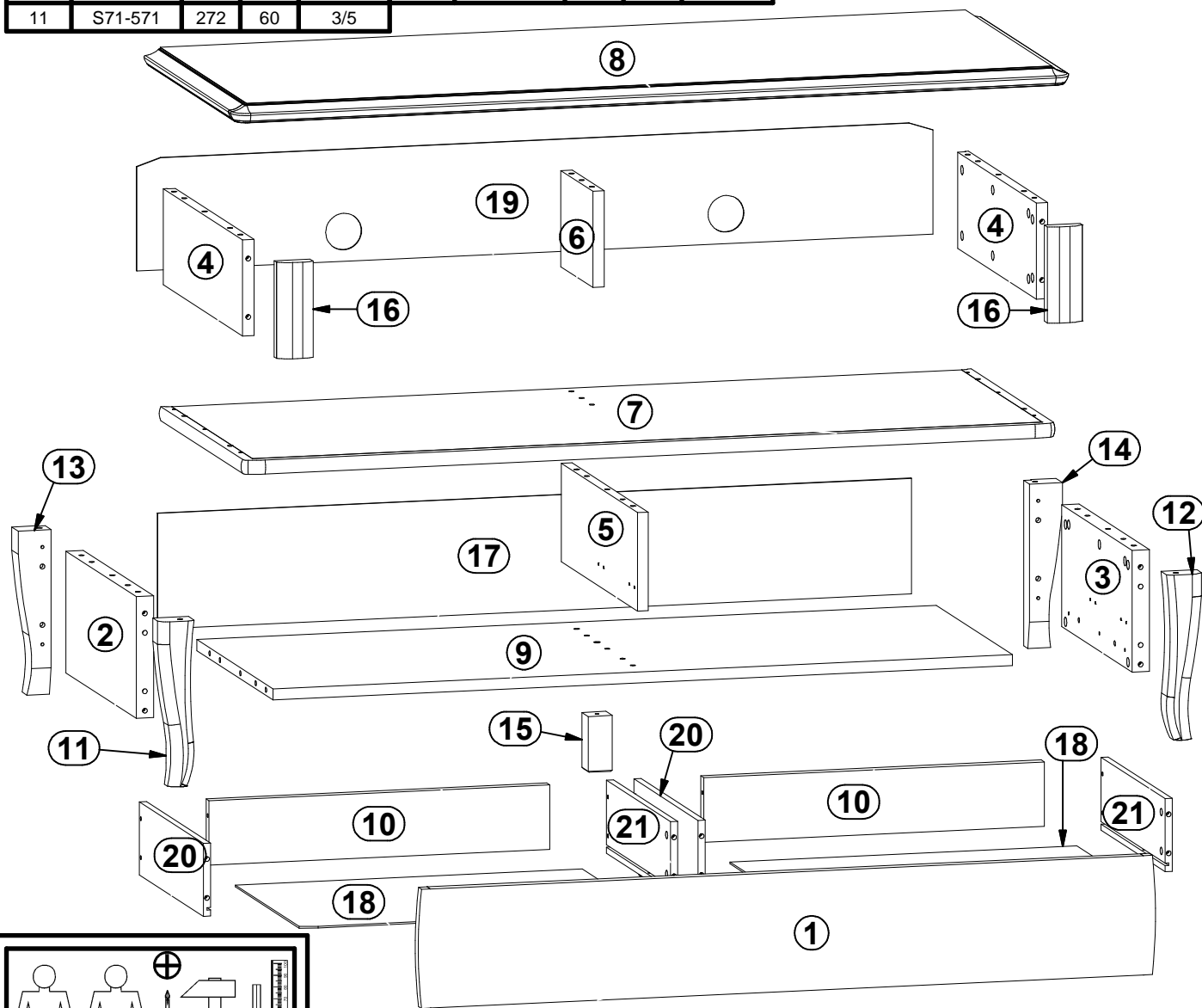
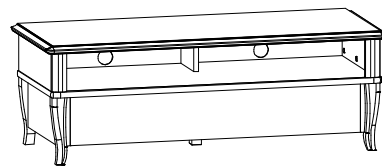


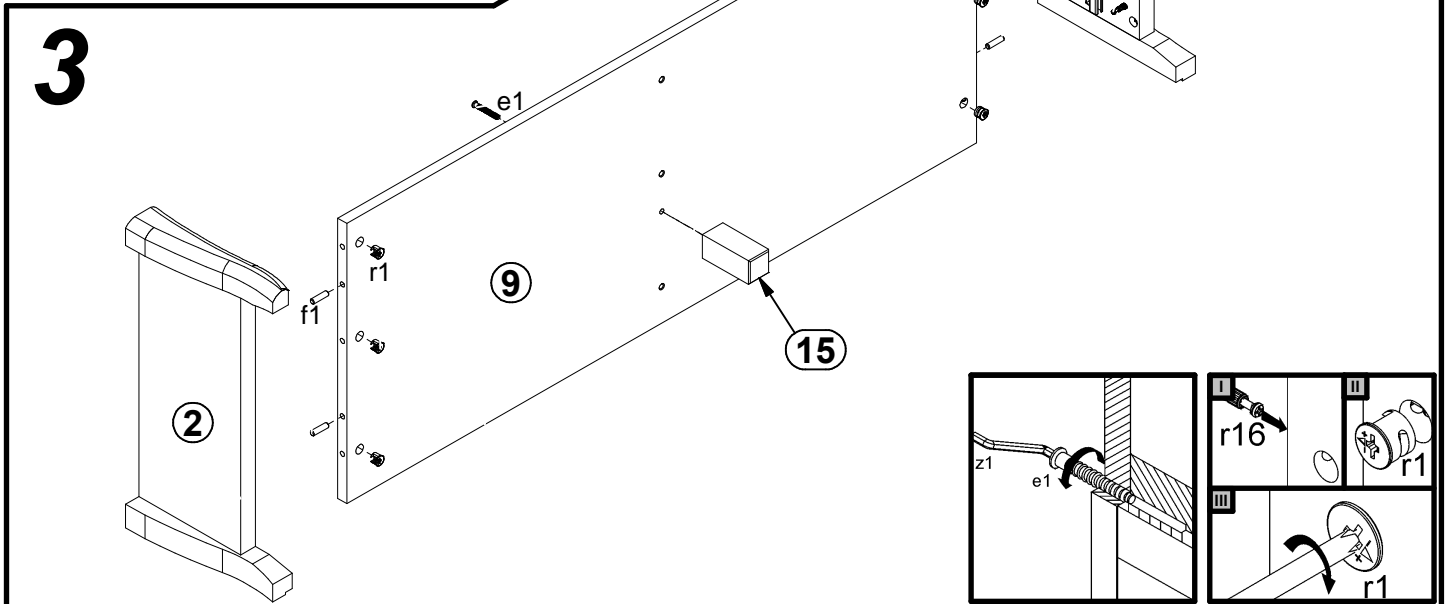
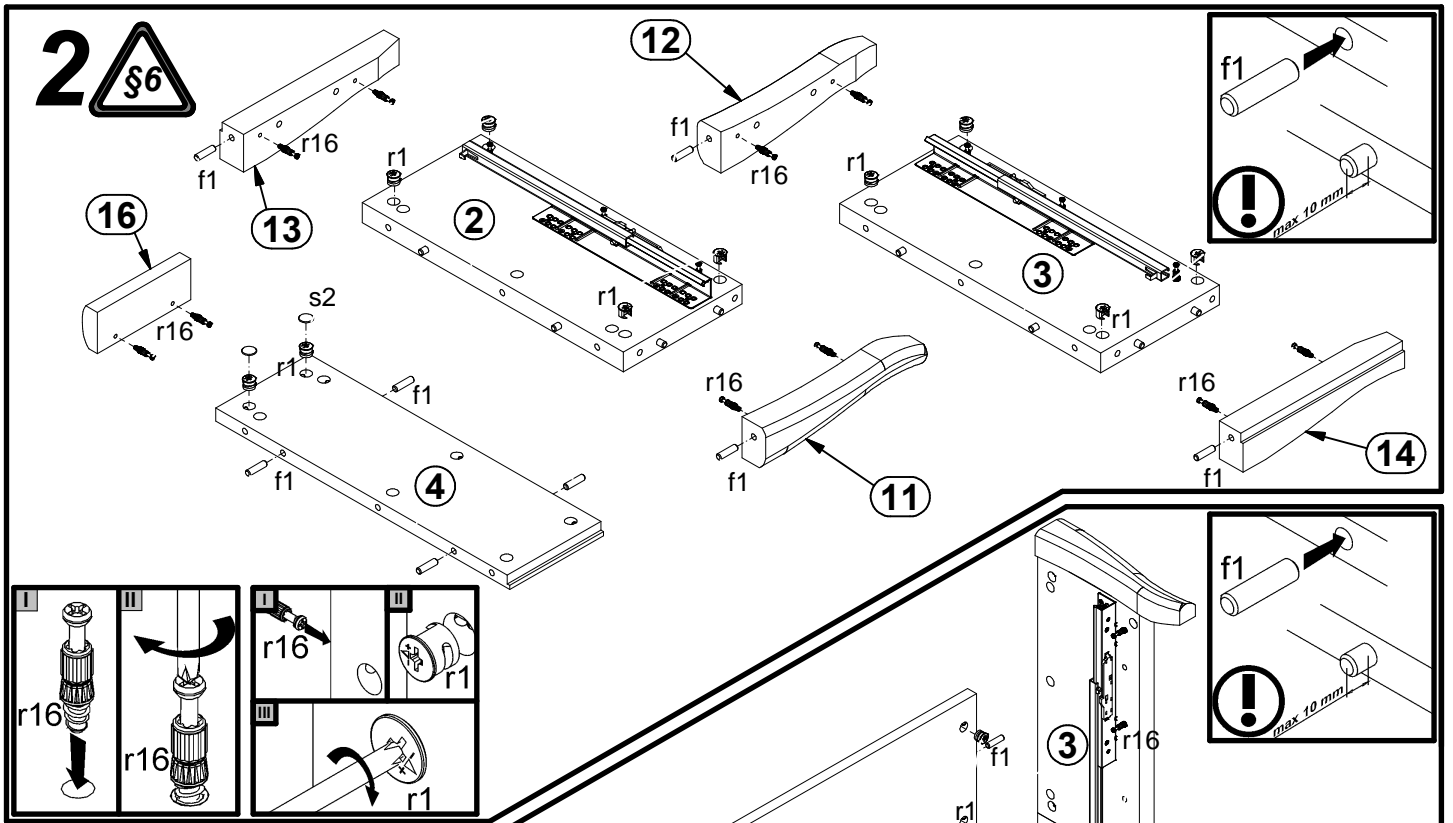
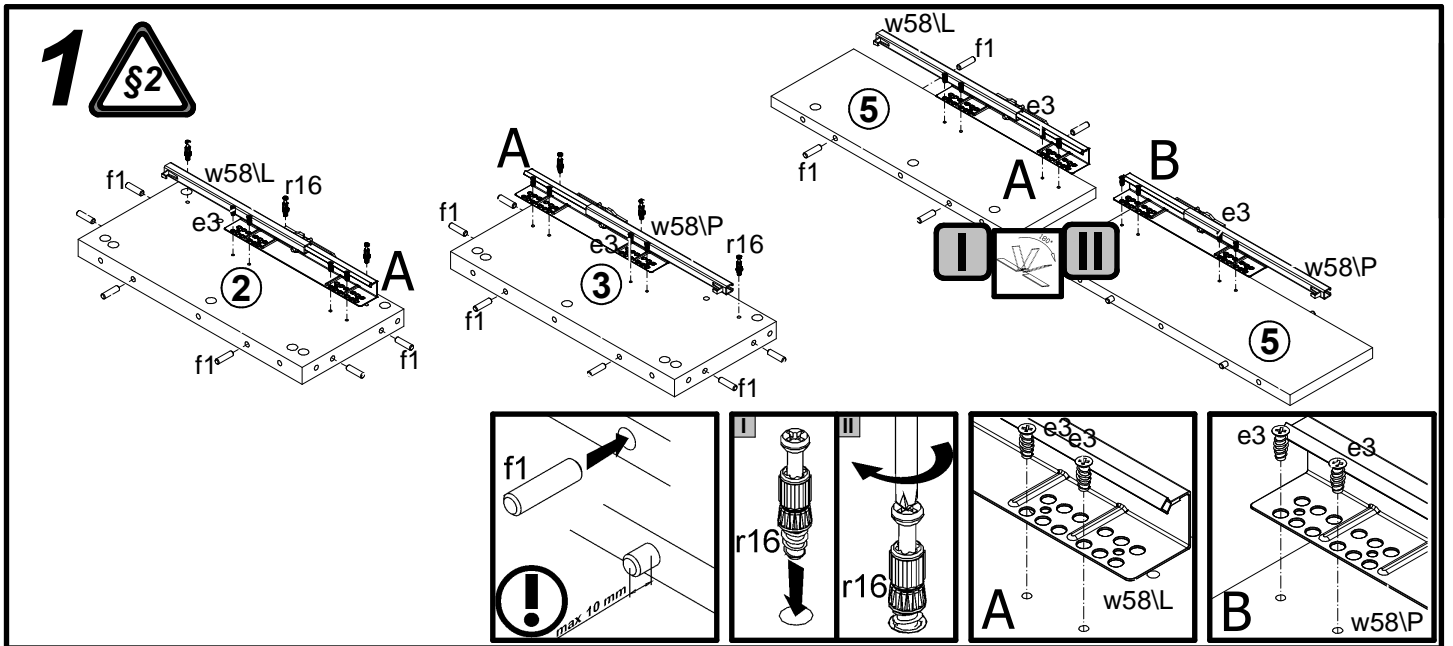
ORLAND

S71-RTV1S/140

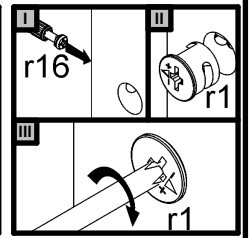
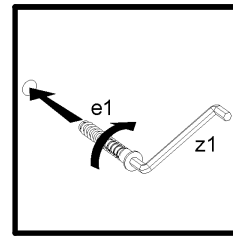
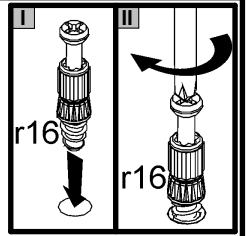
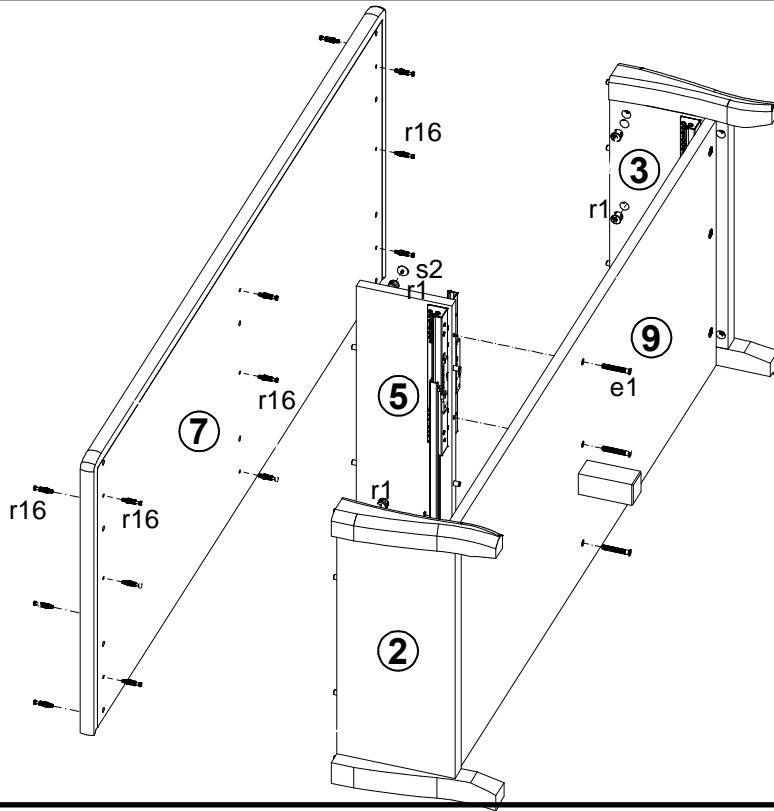
A	B	C		D	A	B	C	D	
1	S71-010	1234	196	5/5	12	S71-572	272	60	3/5
2	S71-138	200	440	1/5	13	S71-573	272	55	3/5
3	S71-139	200	440	1/5	14	S71-574	272	55	3/5
4	S71-142	158	495	1/5	15	S71-587	92	40	3/5
5	S71-143	162	476	1/5	16	S71-595	158	60	1/5
6	S71-154	158	200	2/5	17	S71-915	190	1262	2/5
7	S71-227	1362	528	2/5	18	S71-916	581	406	2/5
8	S71-228	1402	567	2/5	19	S71-949	184	1333	2/5
9	S71-330	1238	476	2/5	20	ZS1-3501	400	120	1/5
10	S71-508	570	106	2/5	21	ZS1-3502	400	120	1/5
11	S71-571	272	60	3/5					



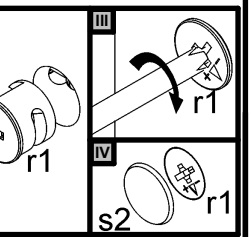
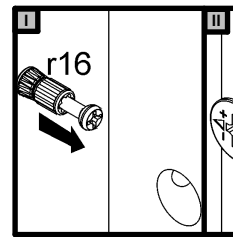
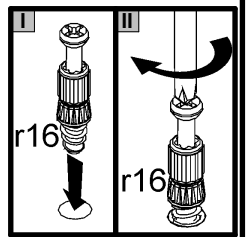
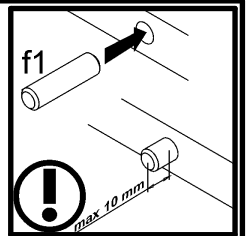
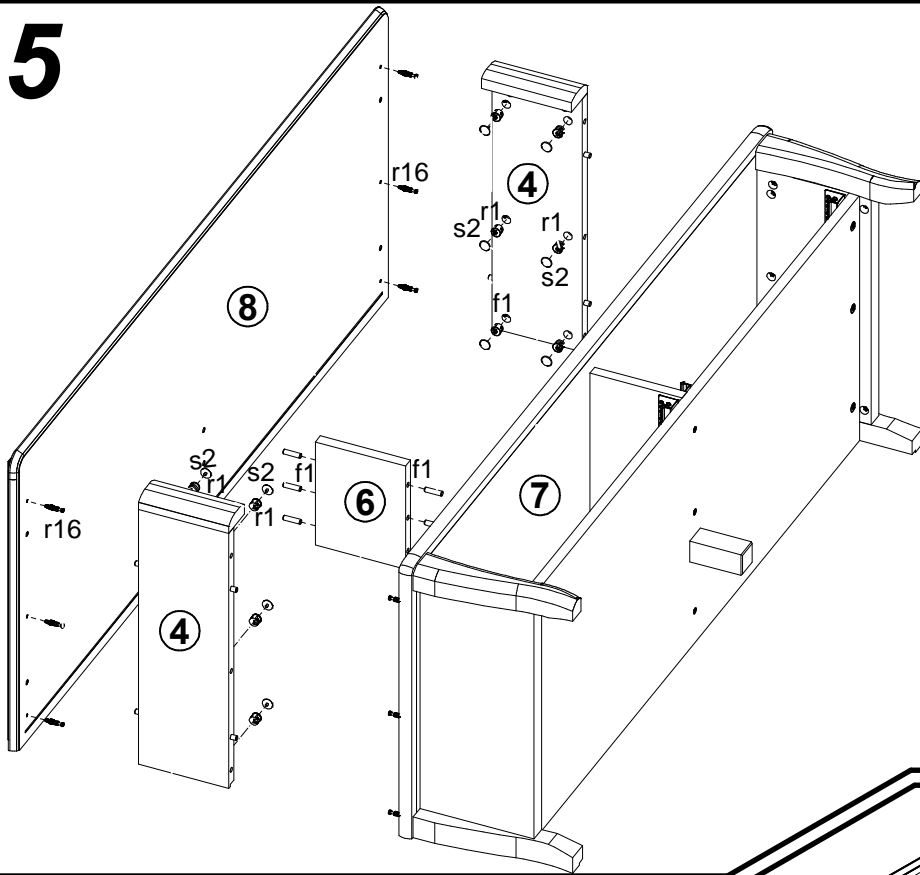
4x φ7x50 mm e1	16x φ6x13 mm e3	38x φ8x30 mm f1	8x φ6.5x40 mm f25	60x l1	10x φ3.5x16 mm p38	39x φ1.5x12mm #16 r1	8x φ12x10.5mm #12 r15	47x r16
17x ø16 s2	2x Quadro L-100 mm w58L	2x Quadro L-100 mm w58P	1x z1	1x n26/1	1x φ3.5x16 mm p38			



4



5



6

