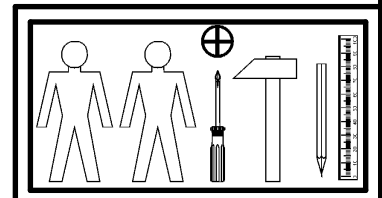
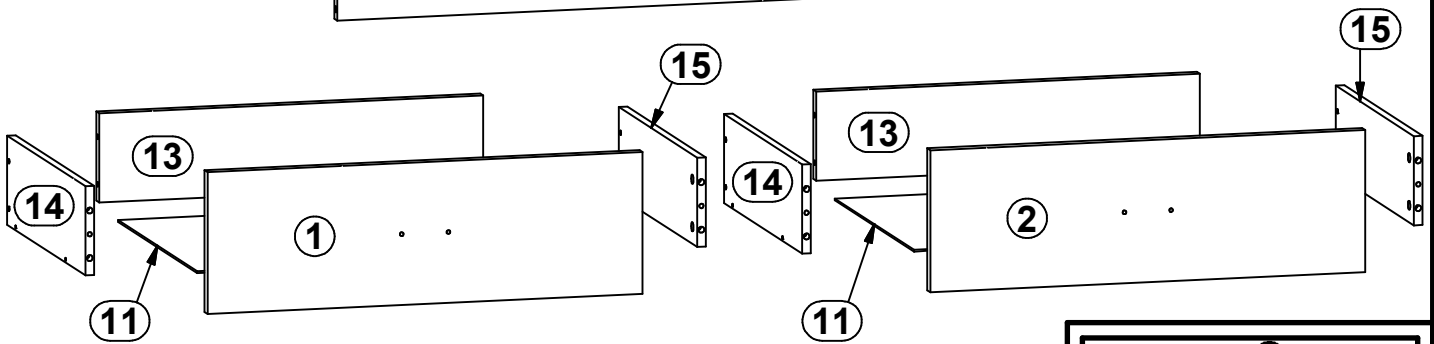
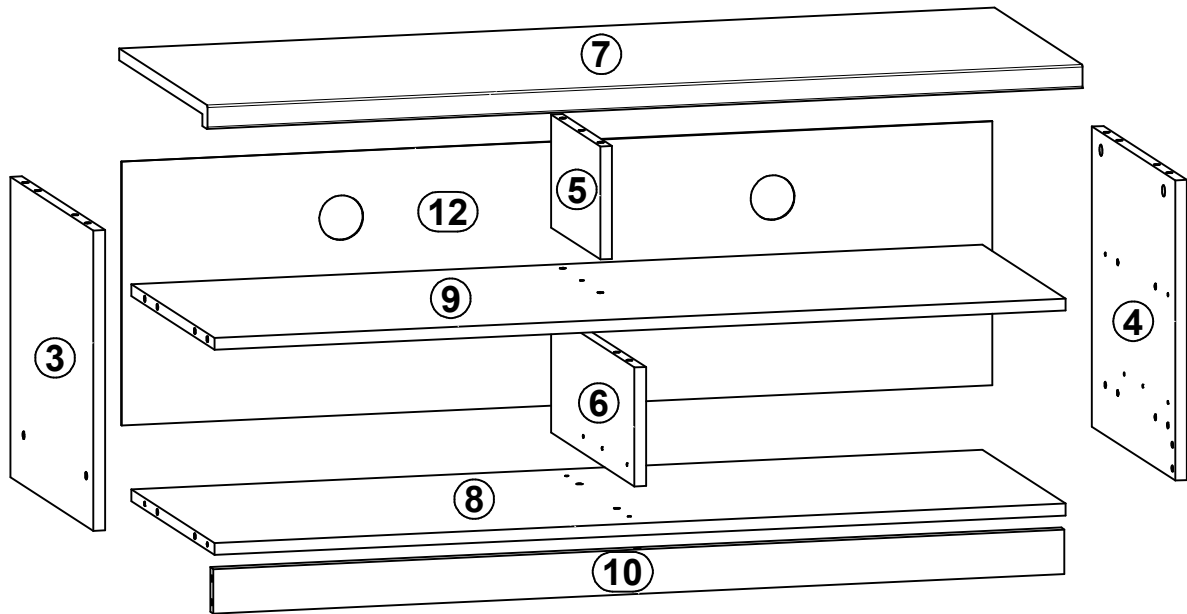
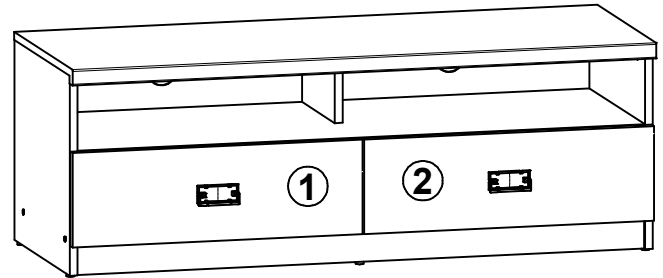
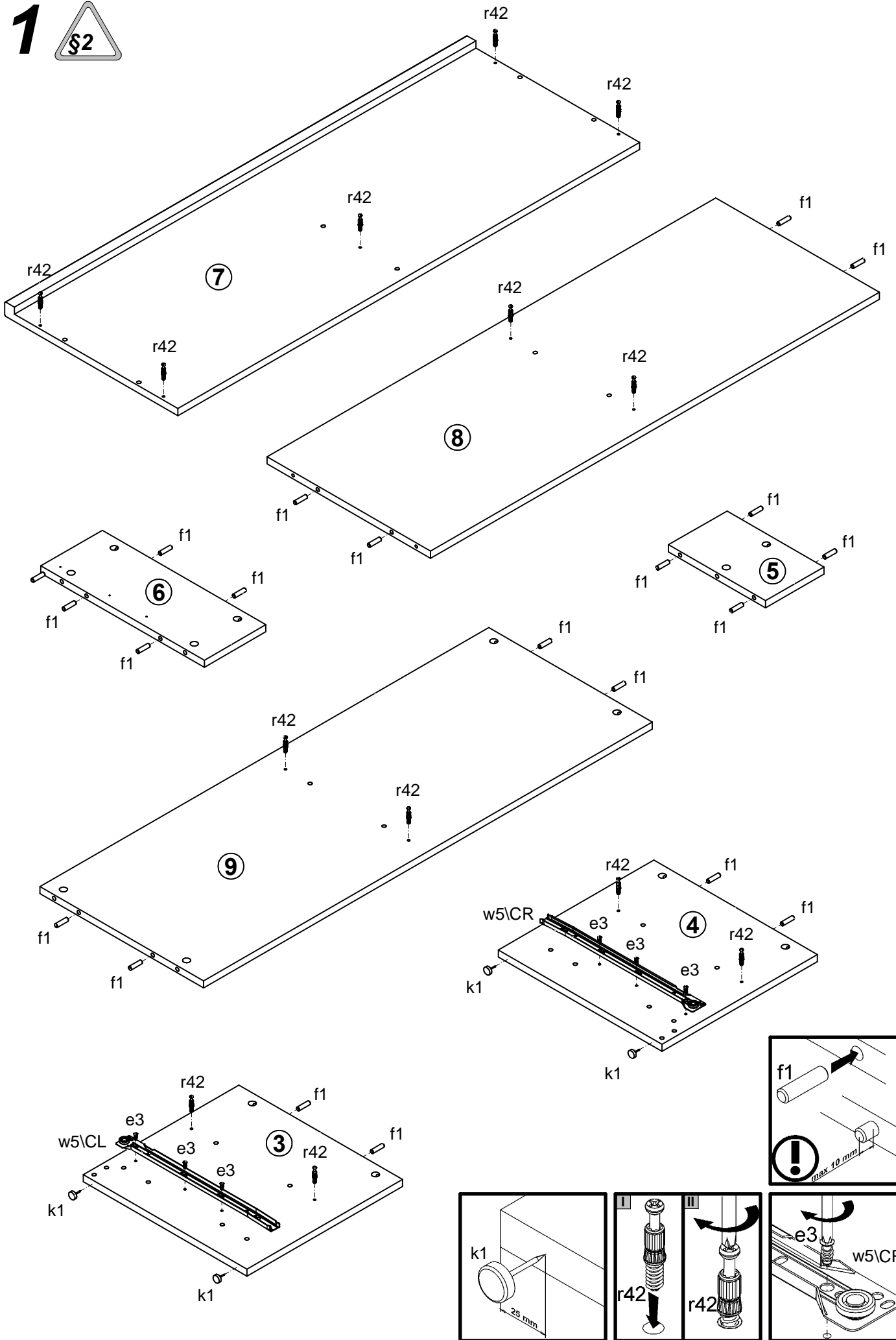


A	B	C	D
1	S325-015	596	191 2/2
2	S325-018	596	191 2/2
3	S325-120	404	425 1/2
4	S325-121	404	425 1/2
5	S325-122	152	252 1/2
6	S325-123	160	425 1/2
7	S325-208	1199	450 1/2
8	S325-317	1166	425 1/2
9	S325-318	1166	425 1/2
10	S325-410	1166	60 1/2
11	S325-914	548	405 1/2
12	S325-917	1193	355 1/2
13	ZS3-5685	526	120 1/2
14	ZS4-503	400	120 1/2
15	ZS4-504	400	120 1/2

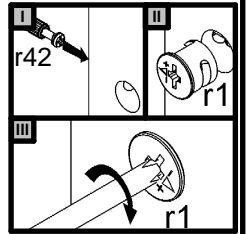
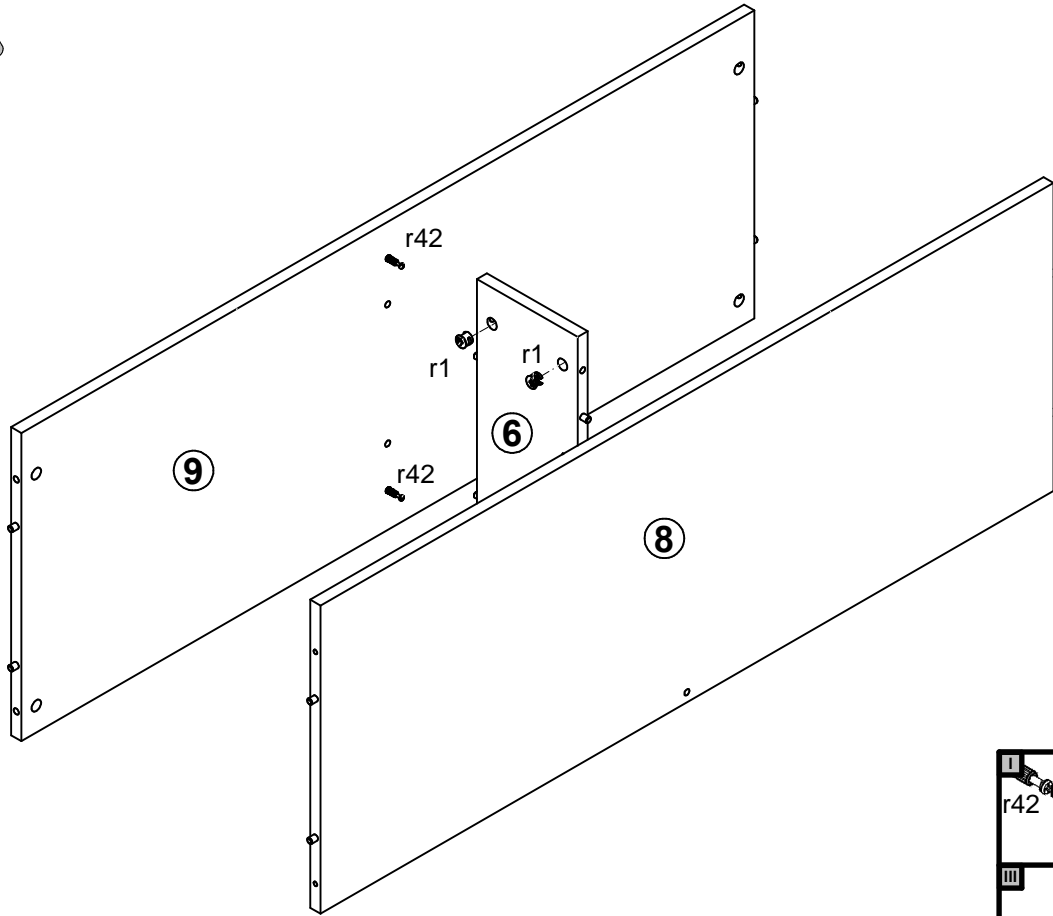


2x 64 mm c417	4x Ø7x50 mm e1	8x Ø5x9 mm e19	9x Ø6x13 mm e3	25x Ø8x30 mm f1	8x Ø6,5x40 mm f25	4x Ø6x30 mm f9	4x M4x22 mm j30	5x k1
50x l1	4x silikon o21	10x Ø3,5x16 mm p38	3x Ø3x12 mm p54	14x Ø15x12 mm #16 r1	8x Ø12x10,5 mm #12 r15	22x 20x11 r42	4x s1	7x Ø16 s2
2x 400 mm w5\CL	2x 400 mm w5\CR	2x 400 mm w5\DL	2x 400 mm w5\DR	1x z1				

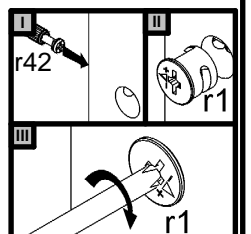
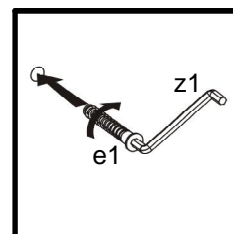
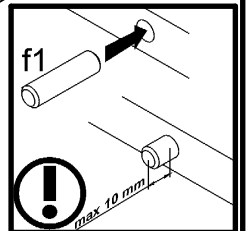
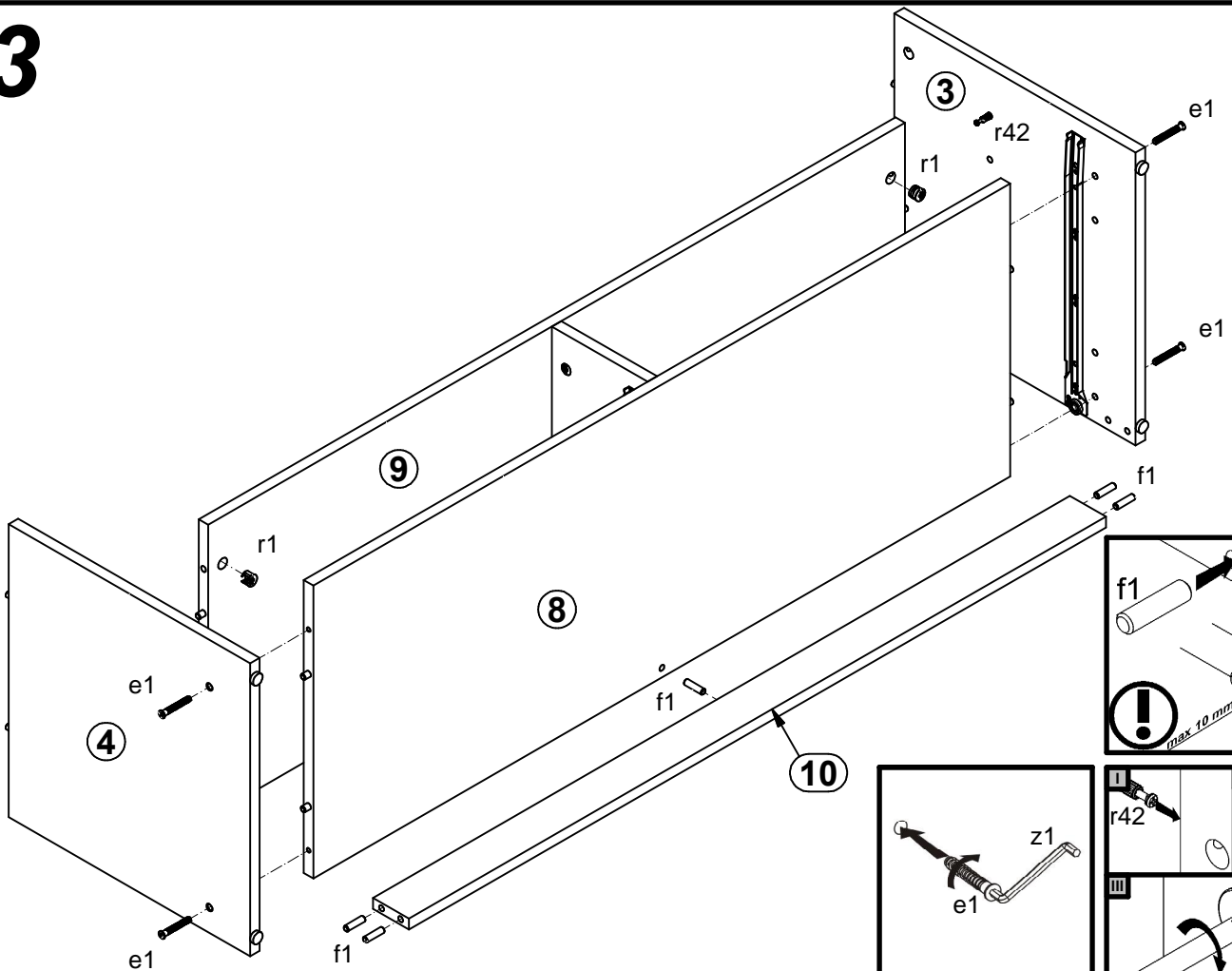
**1** 

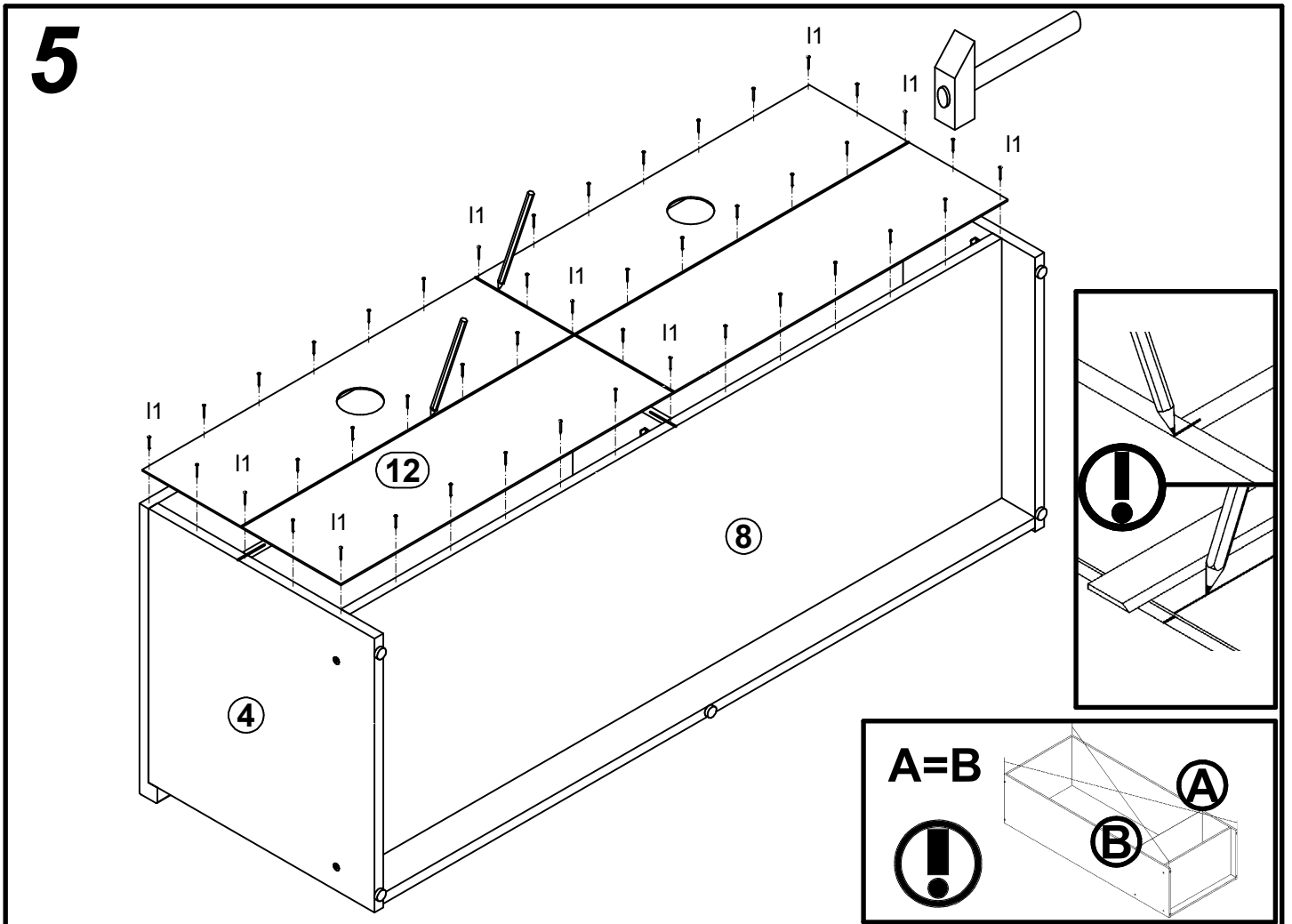
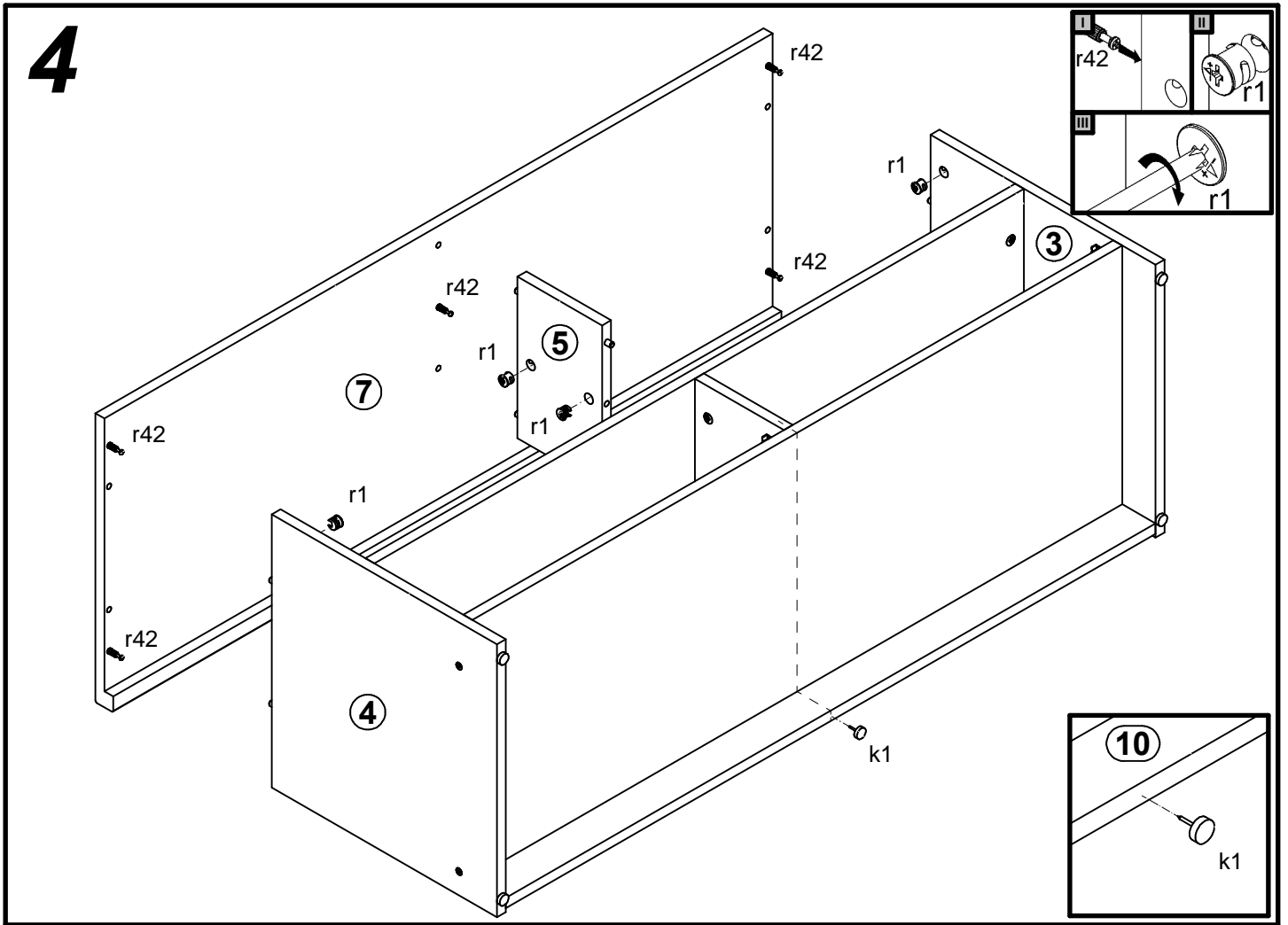


# 2

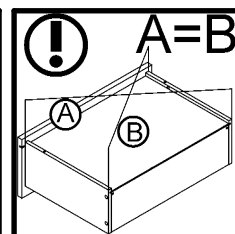
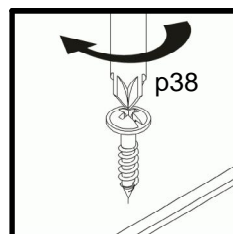
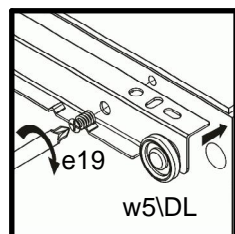
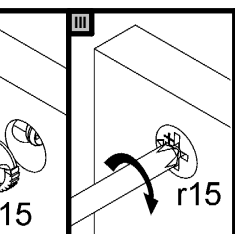
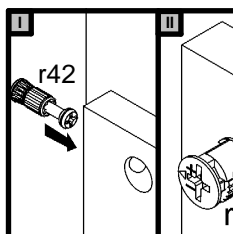
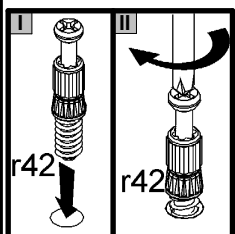
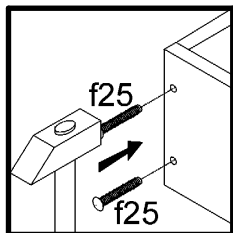
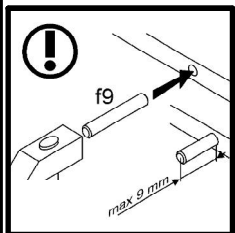
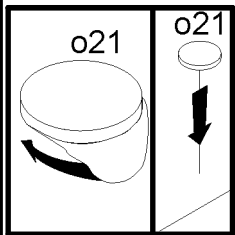
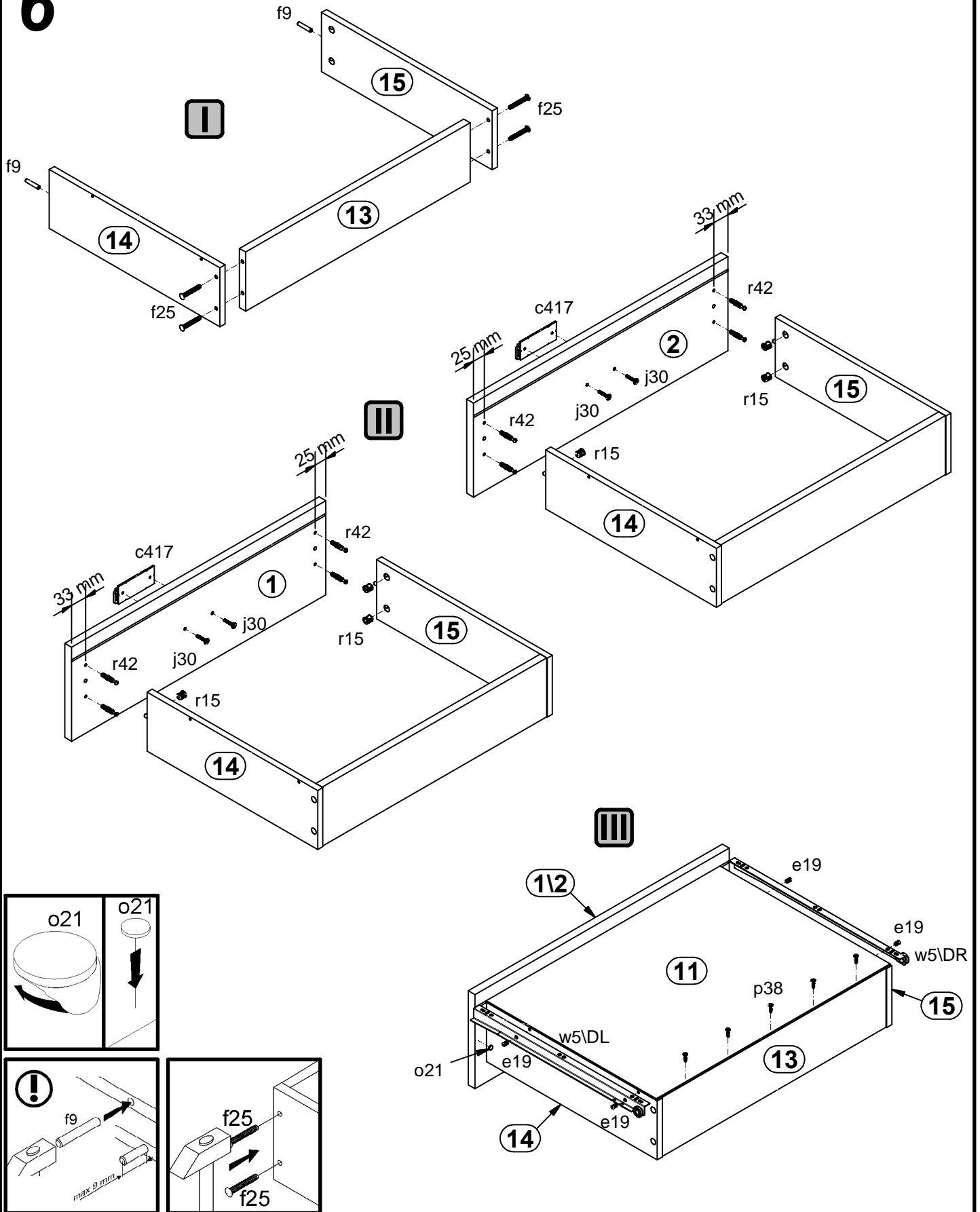


# 3

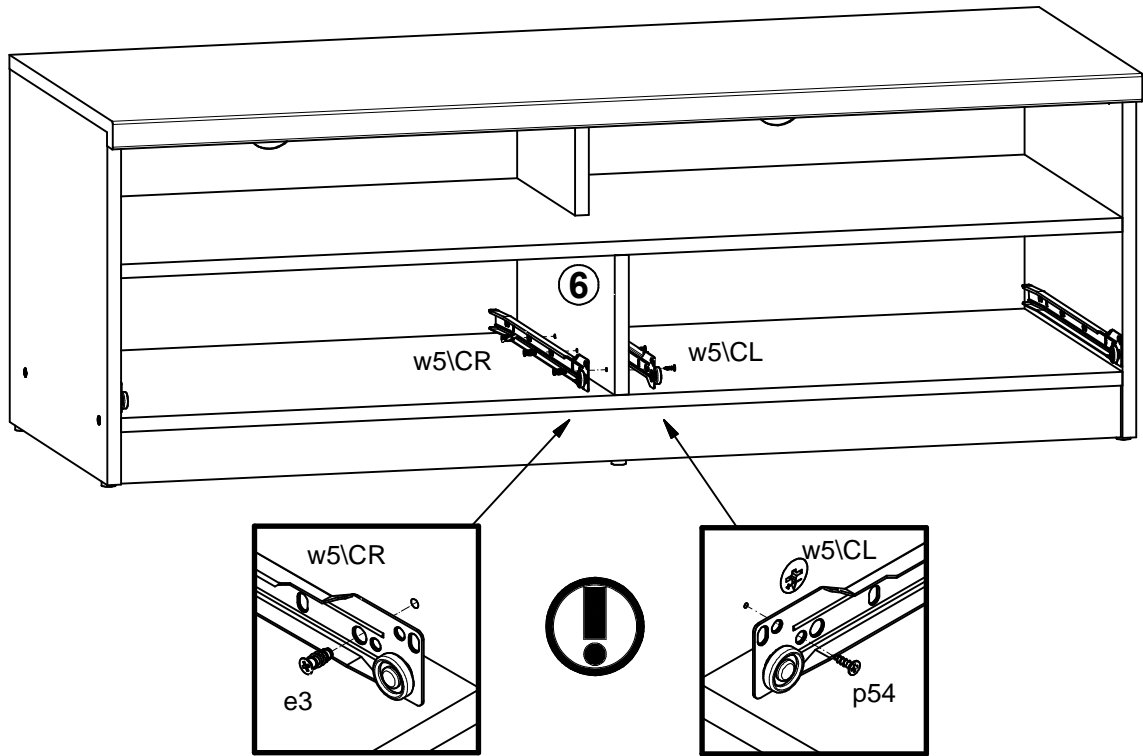




# 6



# 7



# 8

