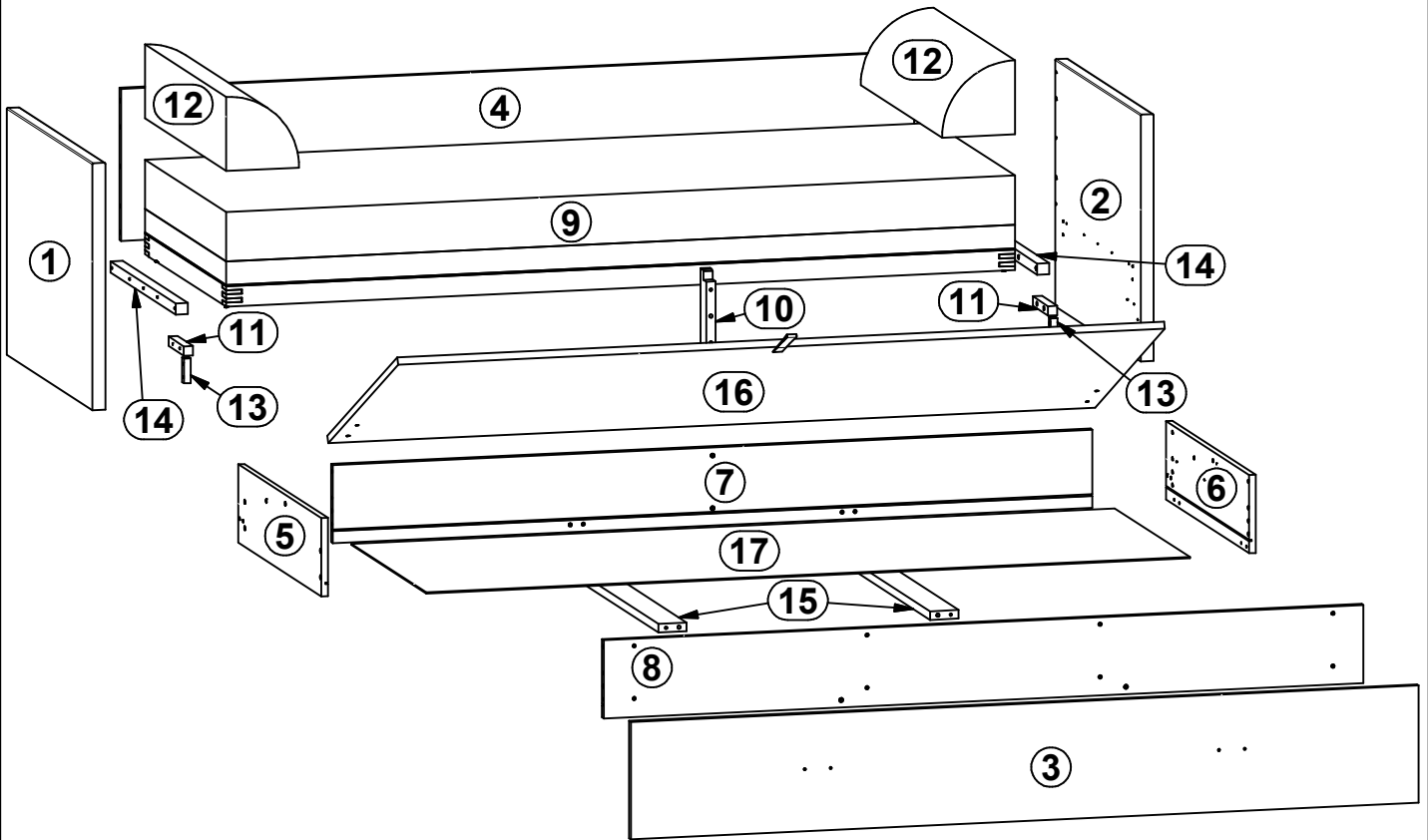
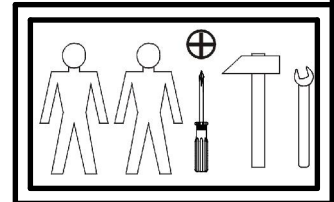
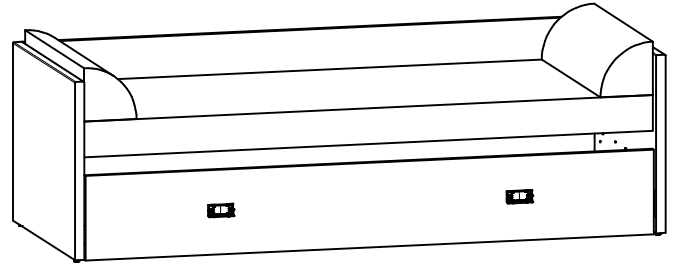
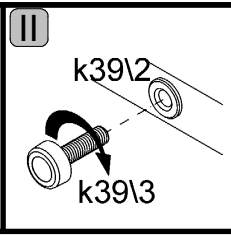
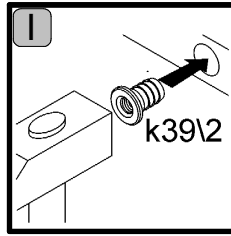
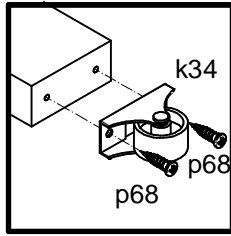
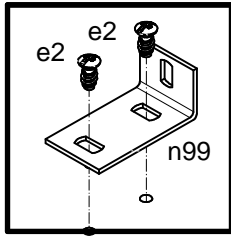
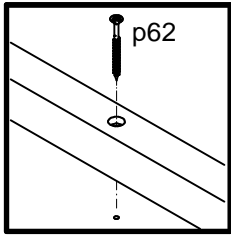
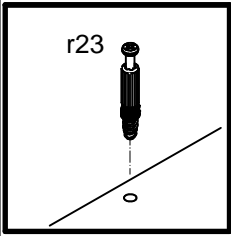
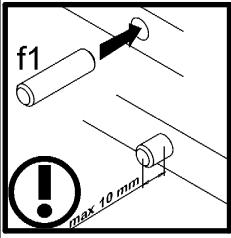
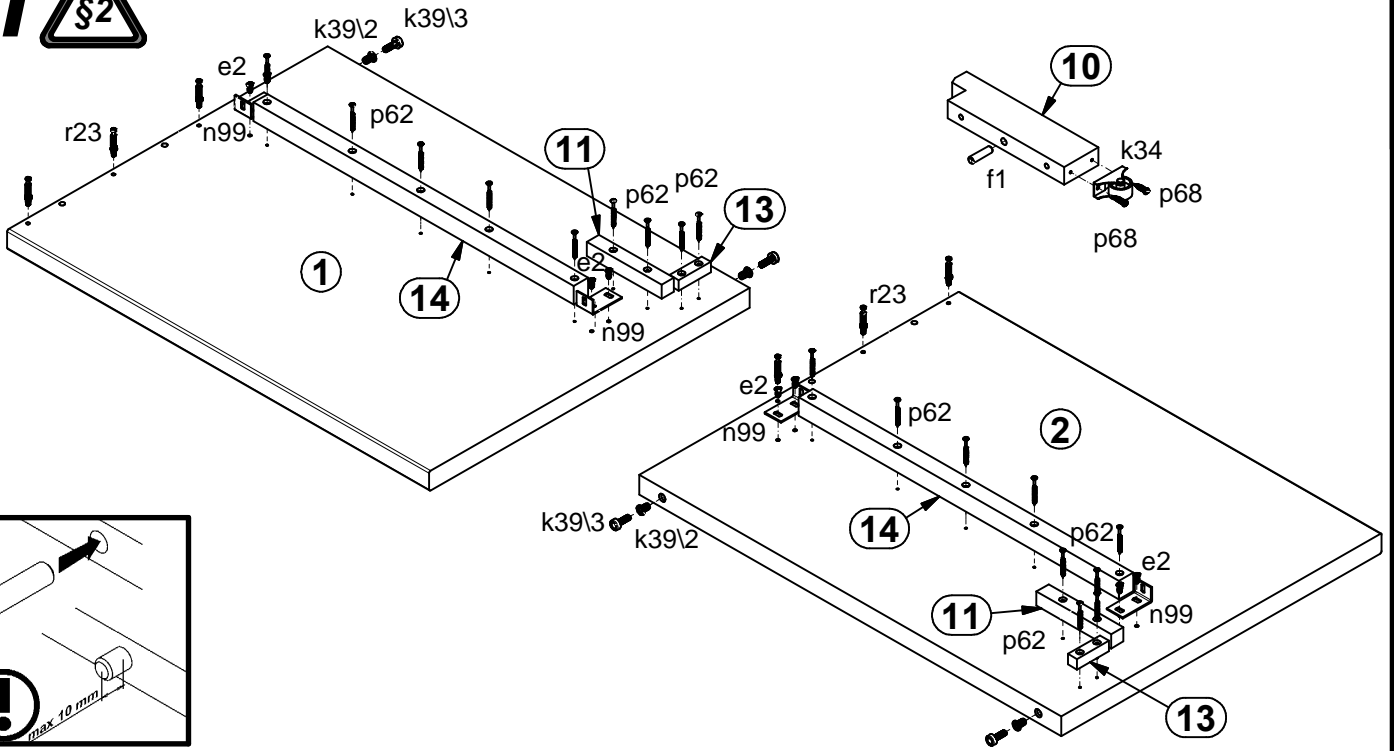


A	B	C	D	
1	S325-016	790	600	1/4
2	S325-017	790	600	1/4
3	S325-019	1948	285	4/4
4	S325-411	1960	370	2/4
5	S325-412	767	190	2/4
6	S325-413	767	190	2/4
7	S325-414	1878	190	2/4
8	S325-415	1878	190	2/4
9	ZZ1-401	1950	1500	1/2
10	ZZ1-402	198	52	3/4
11	ZZ1-403	140	23	3/4
12	ZZ1-404	750	180	2/2
13	ZZ1-405	60	17	3/4
14	ZZ1-406	600	27	3/4
15	ZZ1-407	684	70	3/4
16	ZZ1-408	1896	712	3/4
17	ZZ1-903	1888	694	3/4

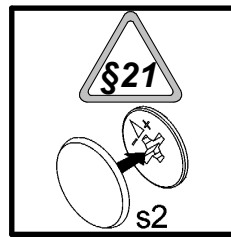
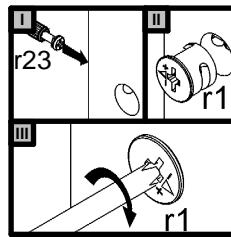
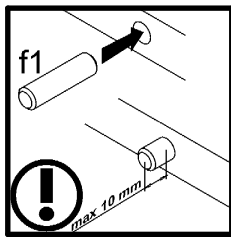
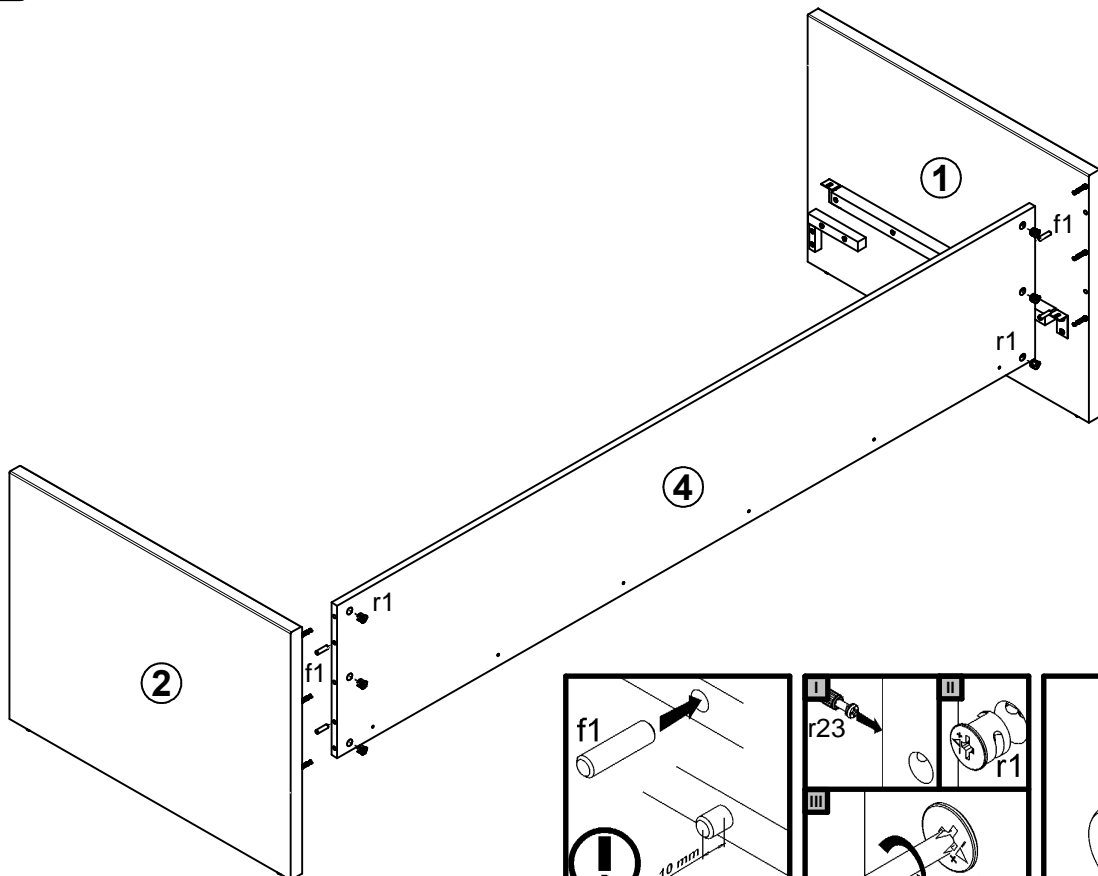


2x 64 mm c417	14x φ7x50 mm e1	16x φ6,3x13 mm e2	8x φ7x28 mm e22	17x φ8x30 mm f1	4x M4x22 mm j60	4x M6x30 mm j9	16x M6 j10	8x M6x25 mm j96
1x k34	4x M6/φ9x14 mm k39/2	4x M6/22mm k39/3	4x k44	2x m28/1	1x m28/L	1x m28/P	4x 35x30x29/2 mm n99	2x 35x30x20/2 mm n100
8x φ6 mm o6	8x φ6xø12/1,4 mm o40	6x φ3,5x13 mm p27	24x φ4x45 mm p62	2x φ4x20 mm p68	6x φ1,5x12mm #16 r1	6x 30/11 r23	8x s1	6x ø16 s2
1x 395mm s7/L	1x 395mm s7/P	1x z1						

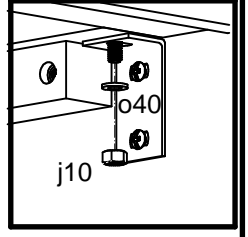
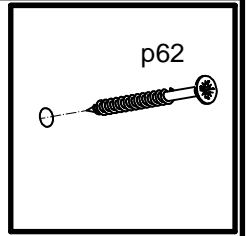
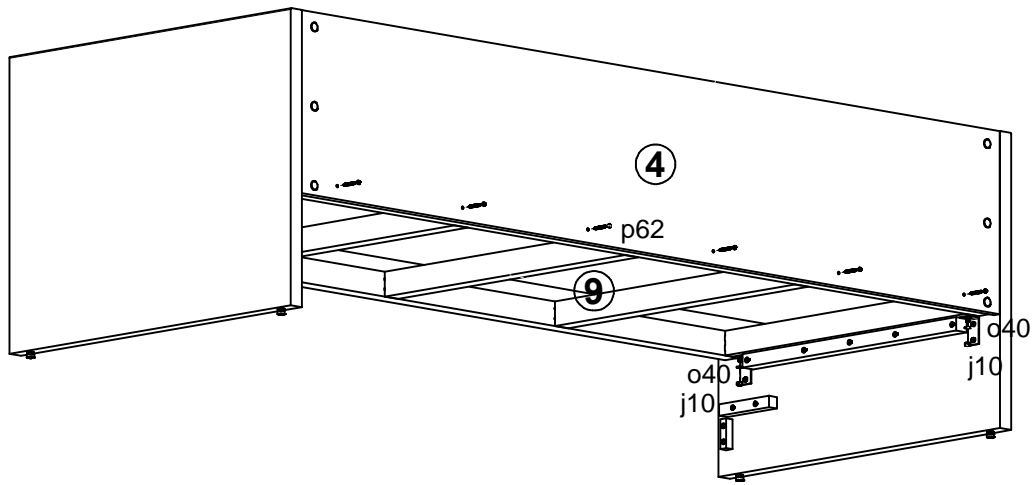
1



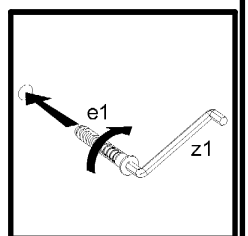
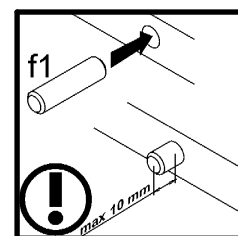
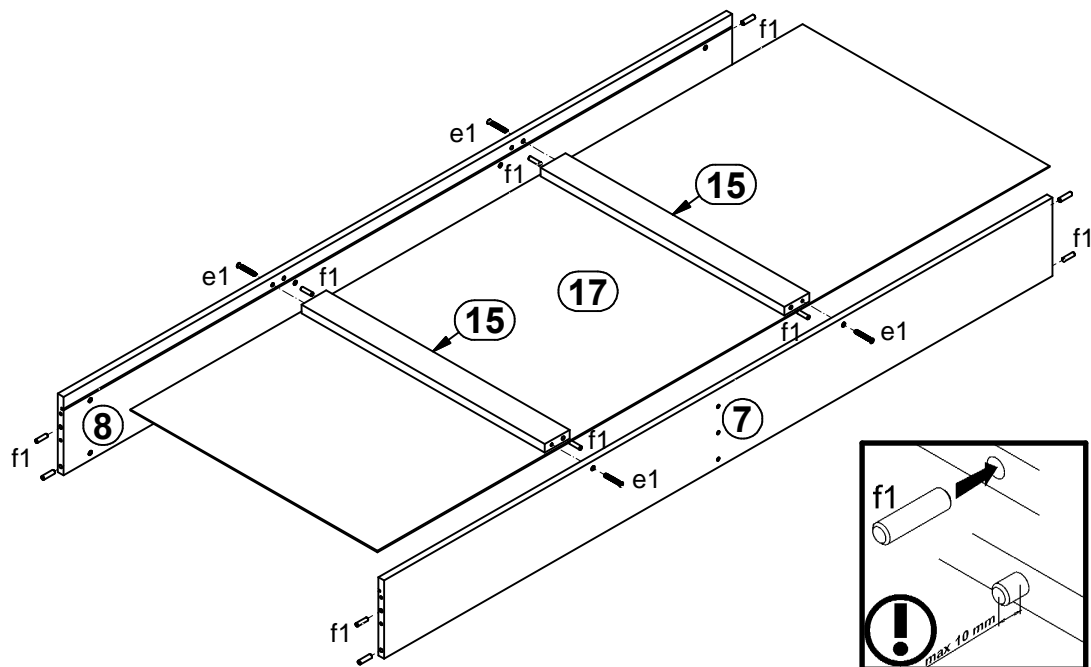
2



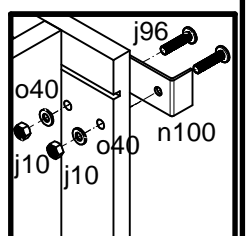
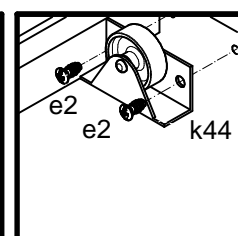
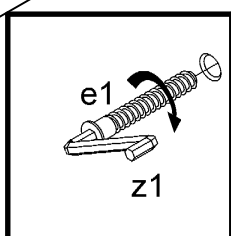
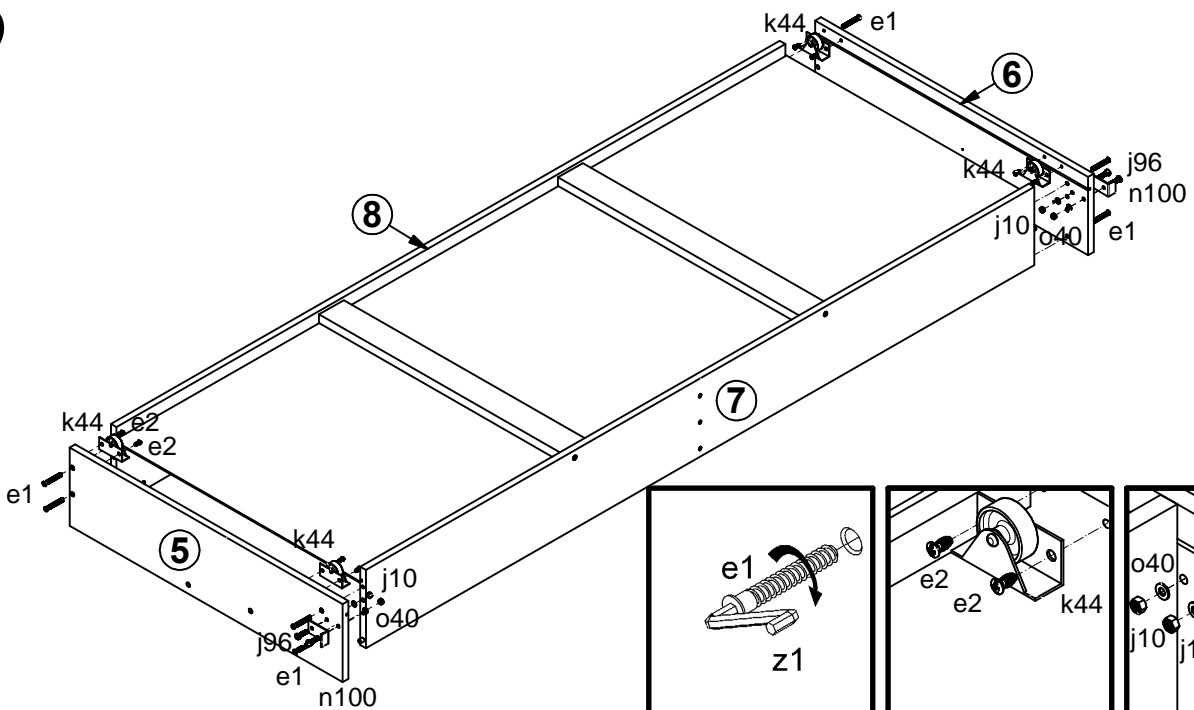
3



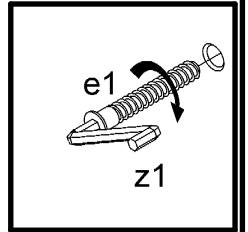
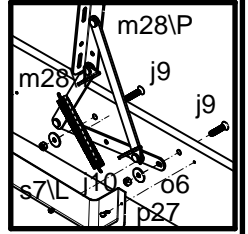
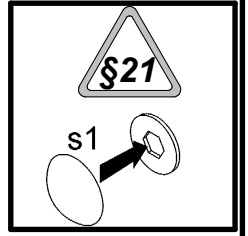
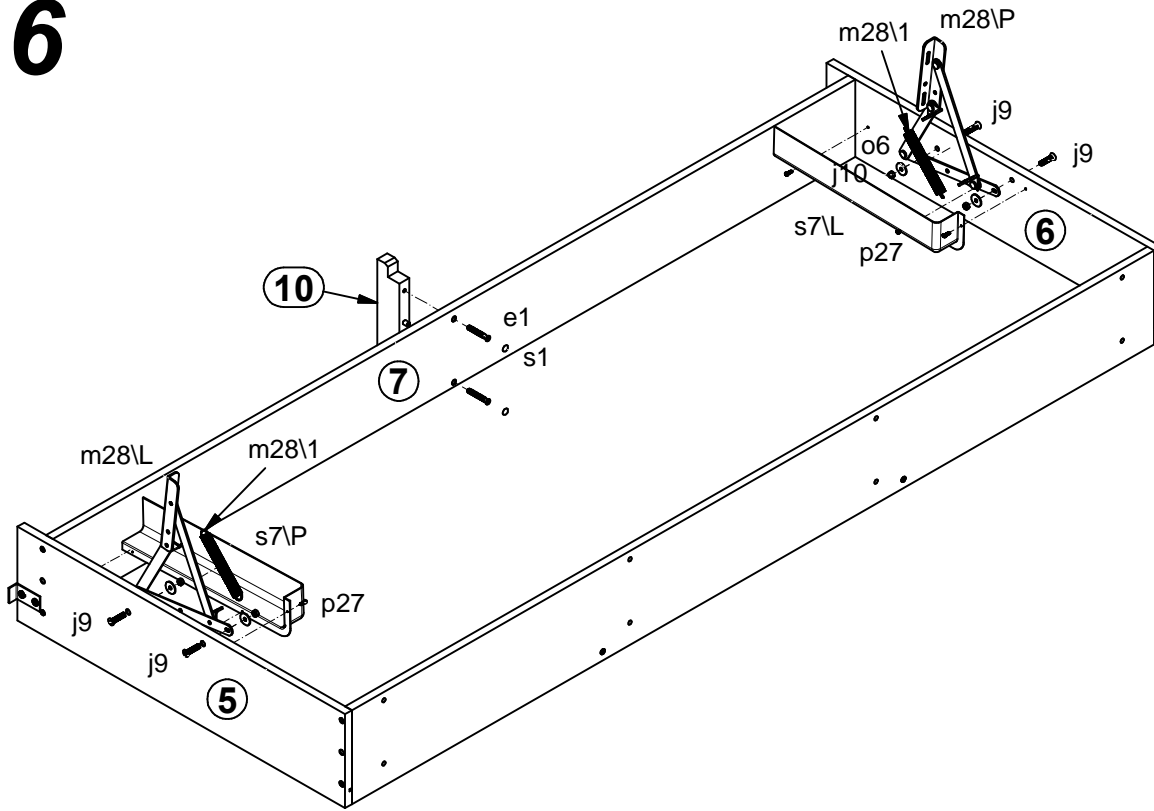
4



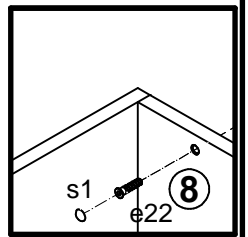
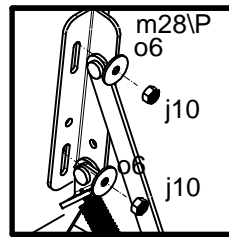
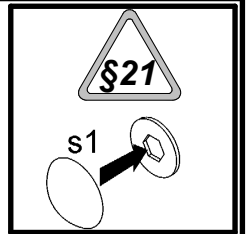
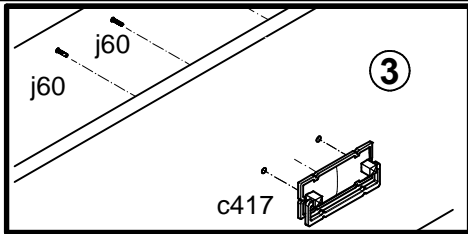
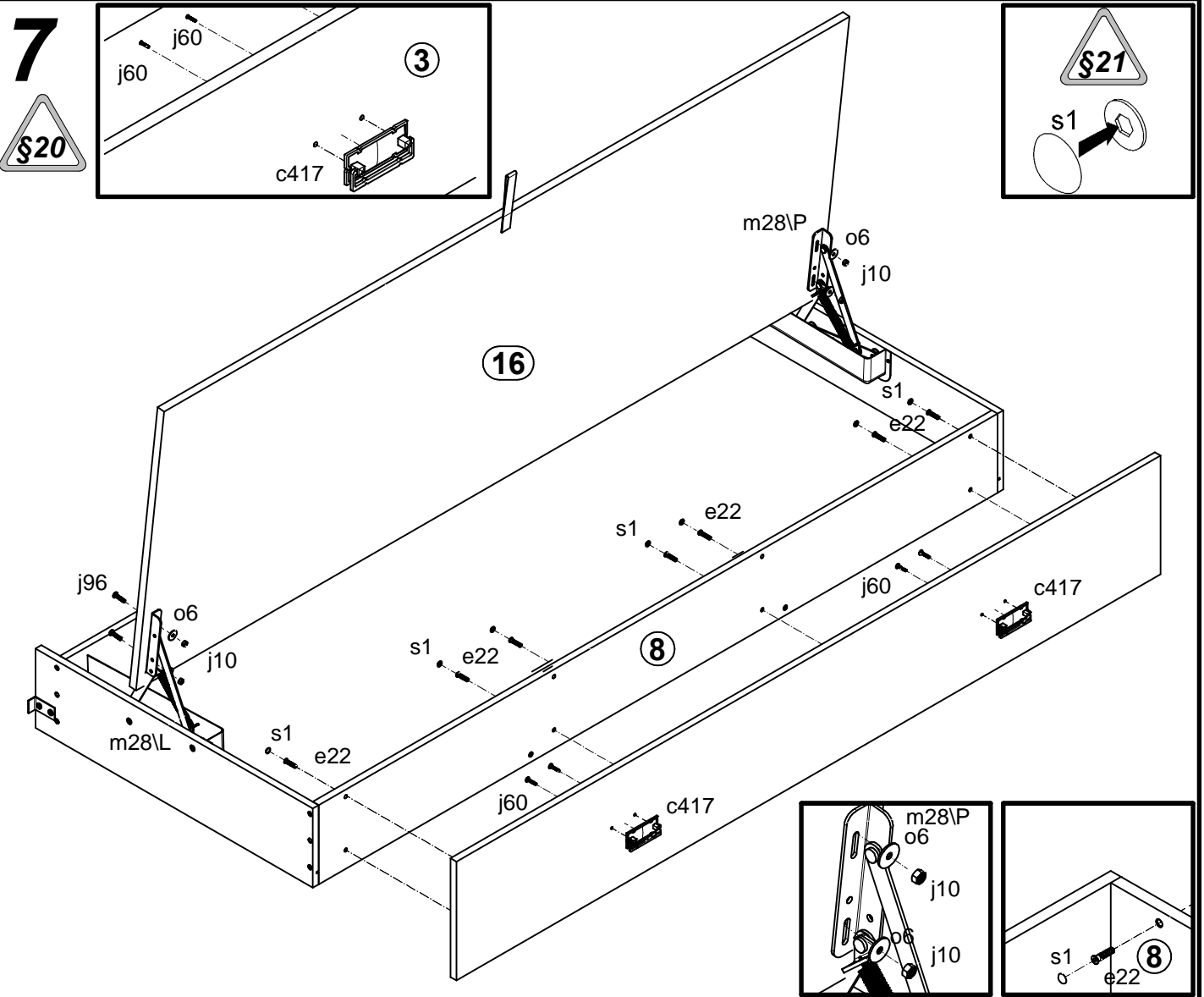
5



6



7



8

