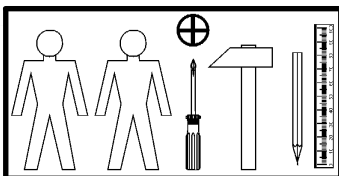
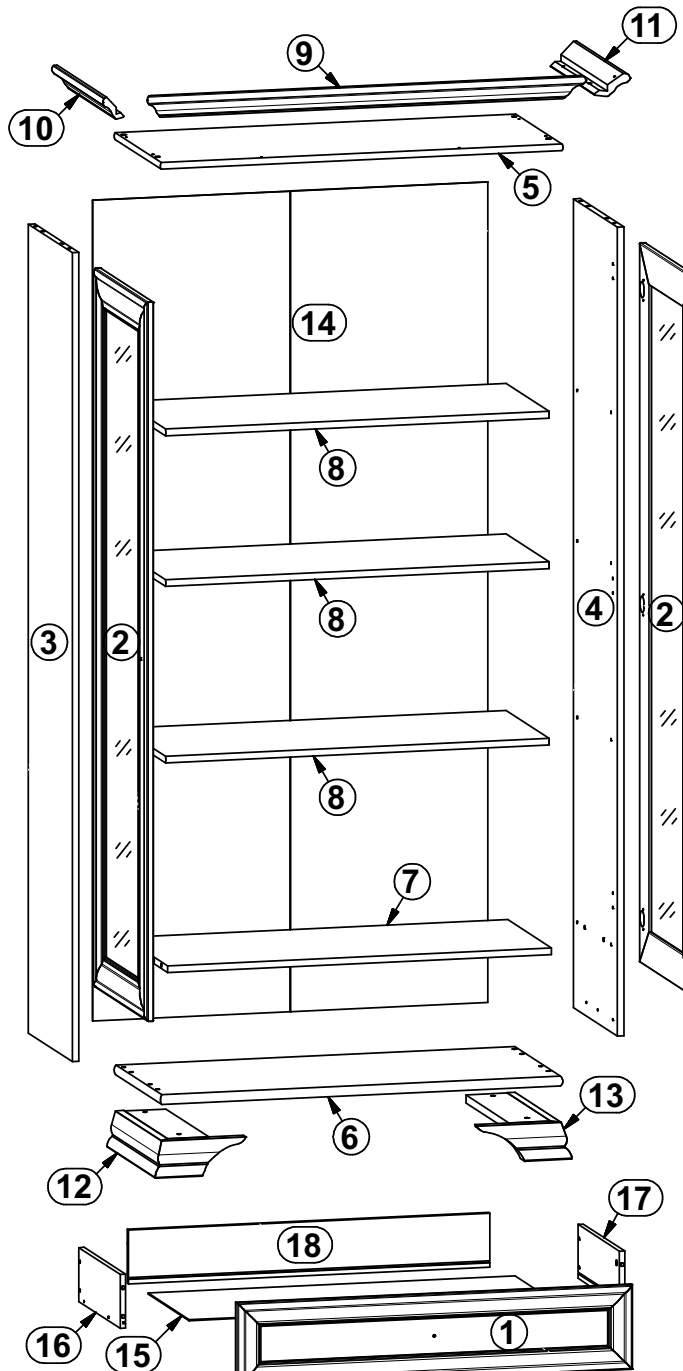
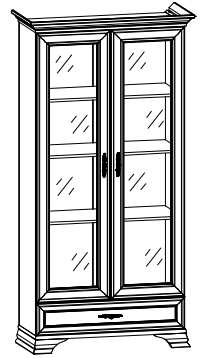


KENTAKI

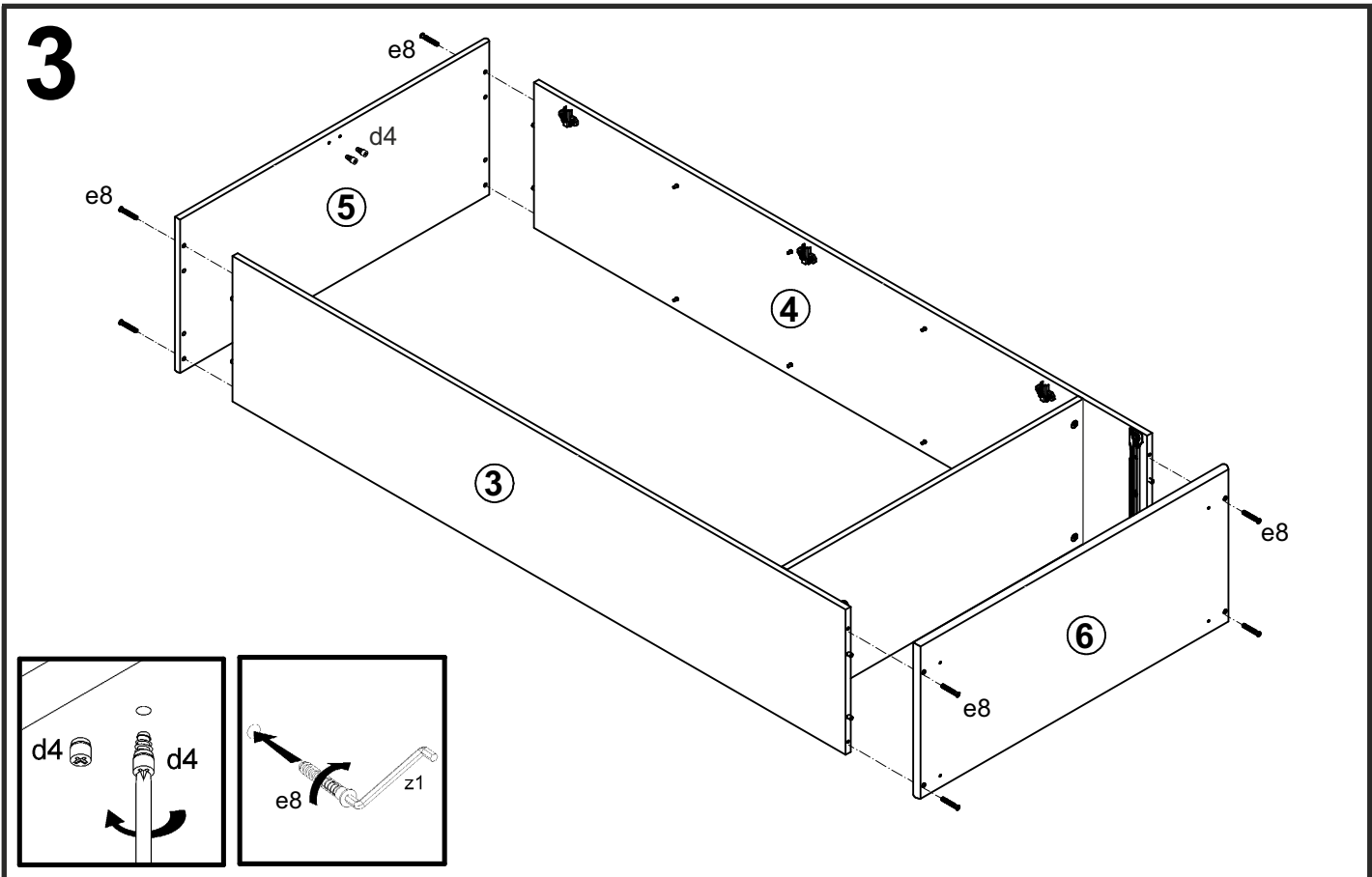
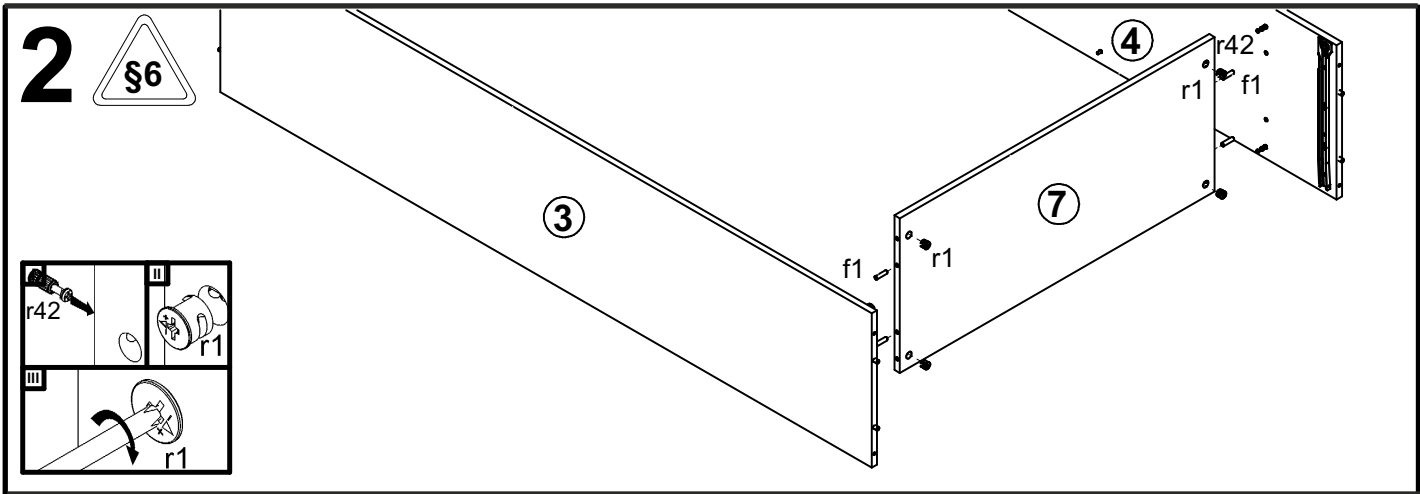
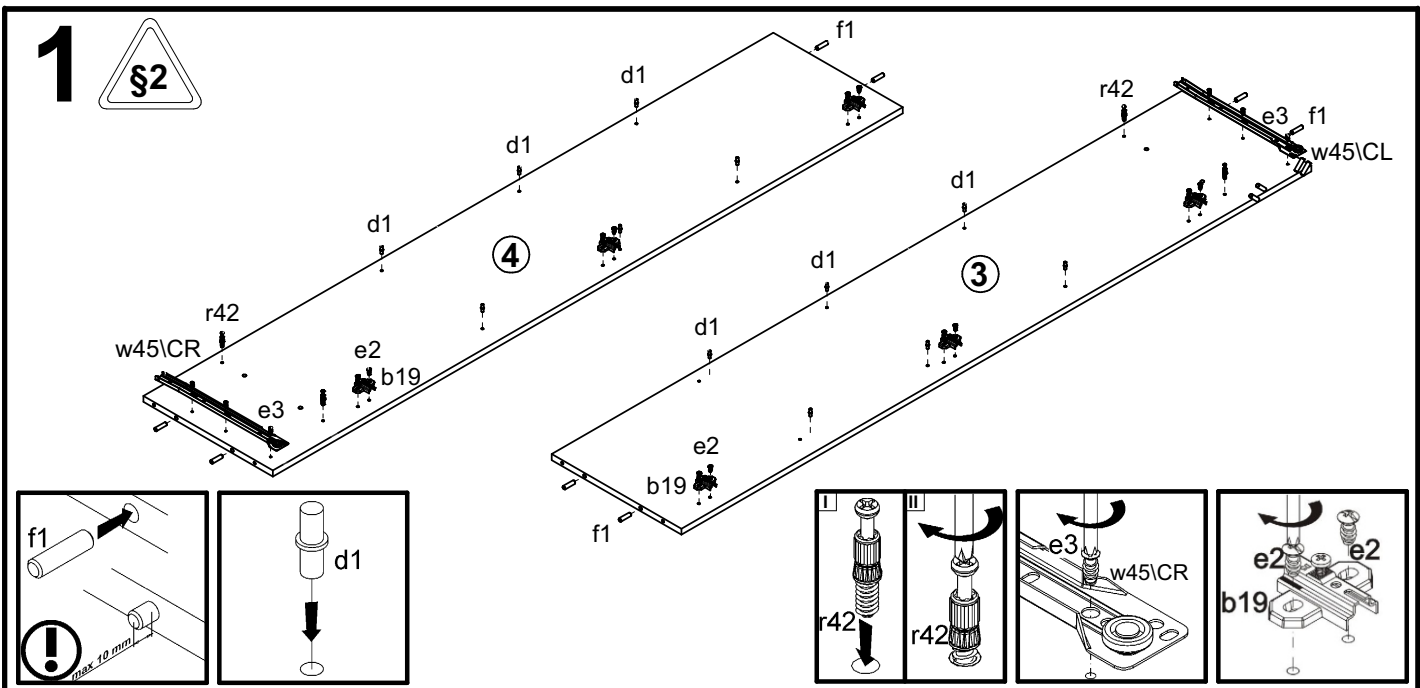
IDENTO

S320-REG2W1S

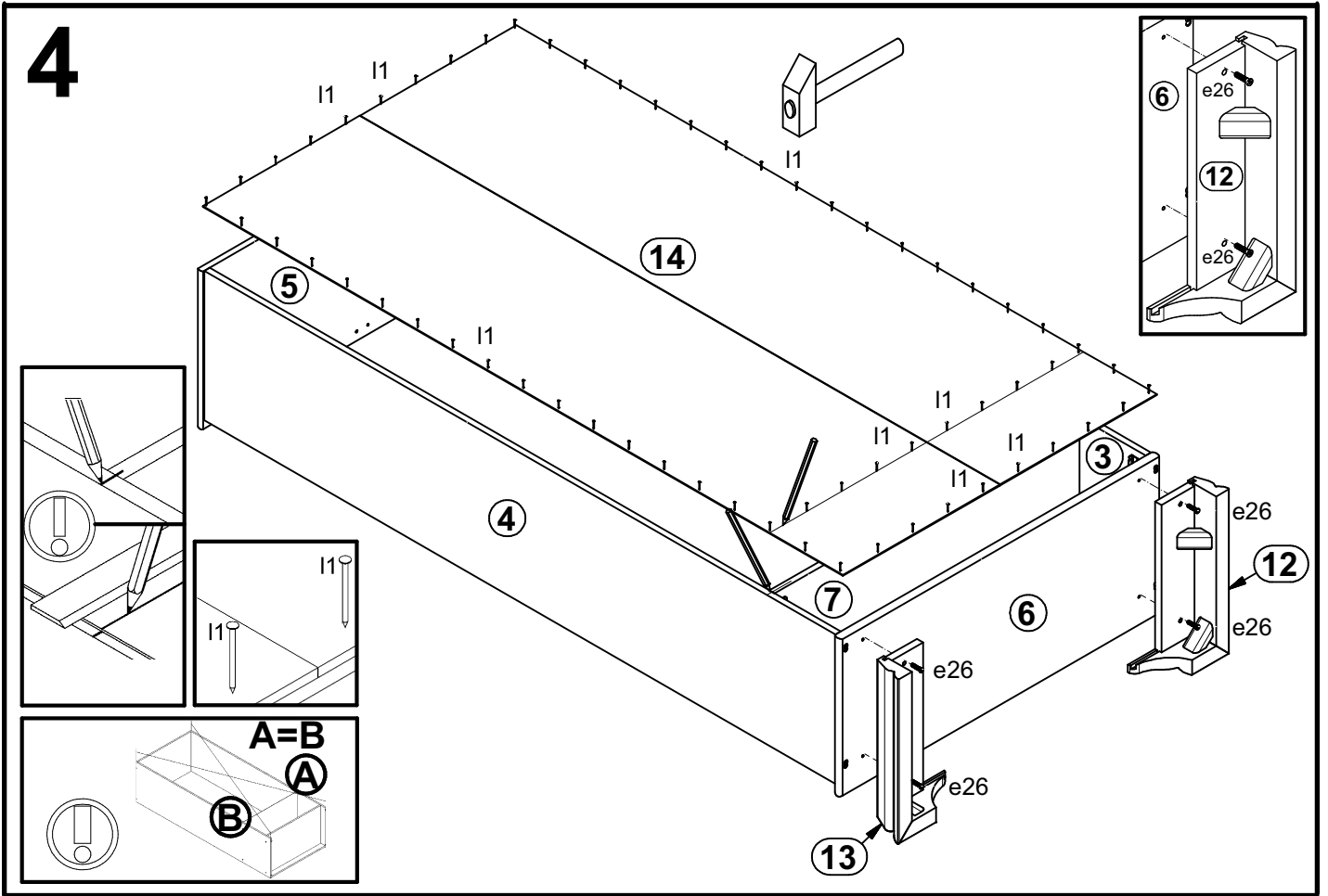
A	B	C	D	
1	S320-002	896	188	5/6
2	S320-009	1600	446	6/6
3	S320-107	1800	370	1/6
4	S320-108	1800	370	1/6
5	S320-209	912	392	2/6
6	S320-210	912	392	2/6
7	S320-305	868	370	2/6
8	S320-306	867	366	2/6
9	S320-504	994	80	3/6
10	S320-509	433	80	3/6
11	S320-511	433	80	3/6
12	S320-513	408	210	4/6
13	S320-514	408	210	4/6
14	S320-901	1826	893	1/6
15	S320-908	826	348	1/6
16	S320-561	350	120	2/6
17	S320-562	350	120	2/6
18	S320-5540	811	120	2/6
19	S320-5542	333	60	2/6



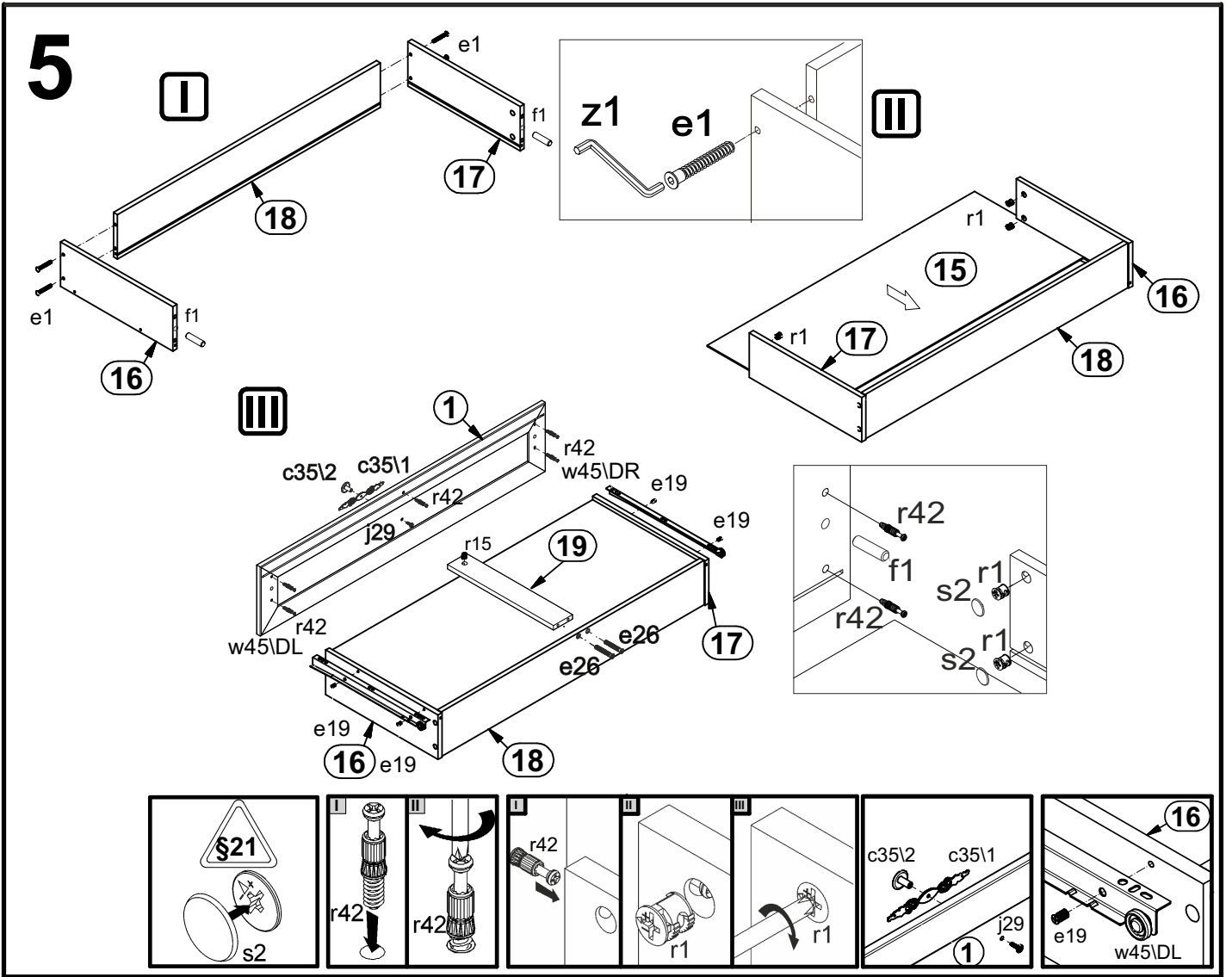
6x a44	6x b19	3x c35\1	3x c35\2	12x d1 φ5x17 mm	8x e8 φ7x60 mm	6x e3 φ6x13 mm	14x f1 φ8x30 mm	6x p8 φ4x25 mm
1x j29 M4x14 mm	2x j11 M4x28 mm	65x l1	4x p46 φ3x7 mm	12x p51 φ3,5x15 mm	8x r1 φ1,5x12mm #16	1x r15 φ12x10,5mm #12	9x r42	4x e1 φ7x50 mm
4x e19 φ5x9 mm	12x e2 φ6,3x13 mm	6x e26 φ7,35 mm	2x n40 26x26x16\1 - 12\5	1шт. f35 φ10x50 mm	1шт. p17 φ5x60 mm	1x w45\CL 350 mm	1x w45\CR 350 mm	1x w45\DL 350 mm
1x w45\DR 350 mm	1x z1	4x s2 ø16	1x n26\1	1x p38 φ3,5x16 mm	2x d4 φ6,3x15 mm			



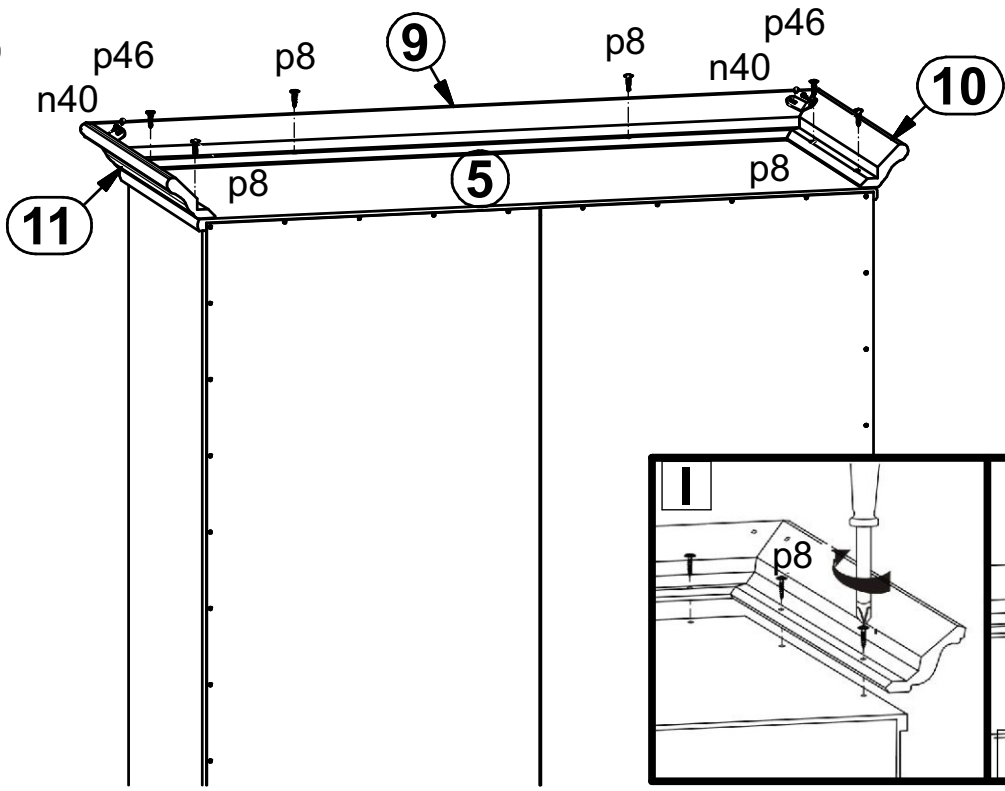
4



5



6



7

