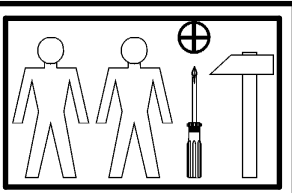
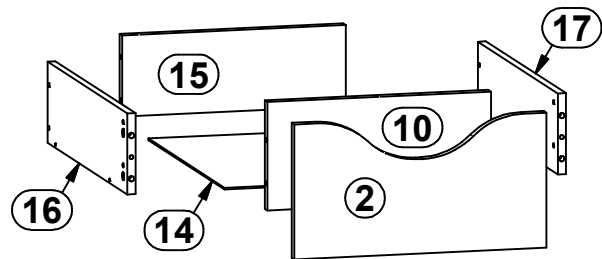
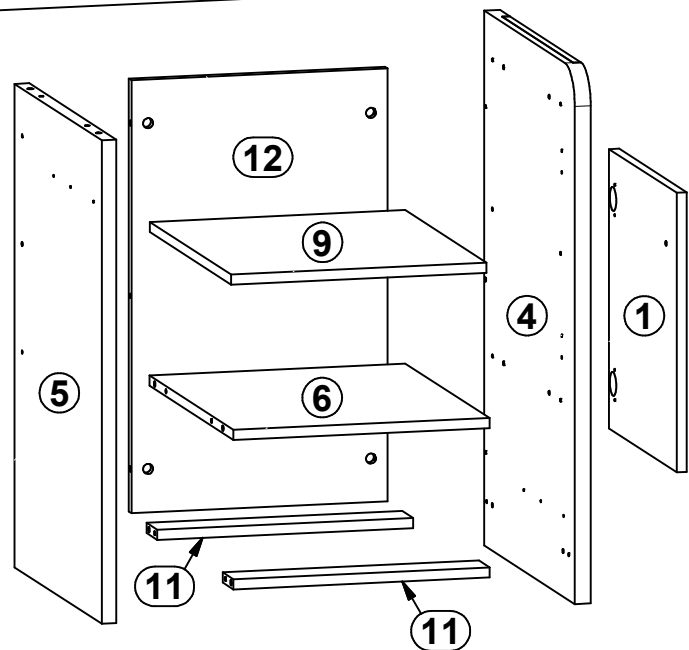
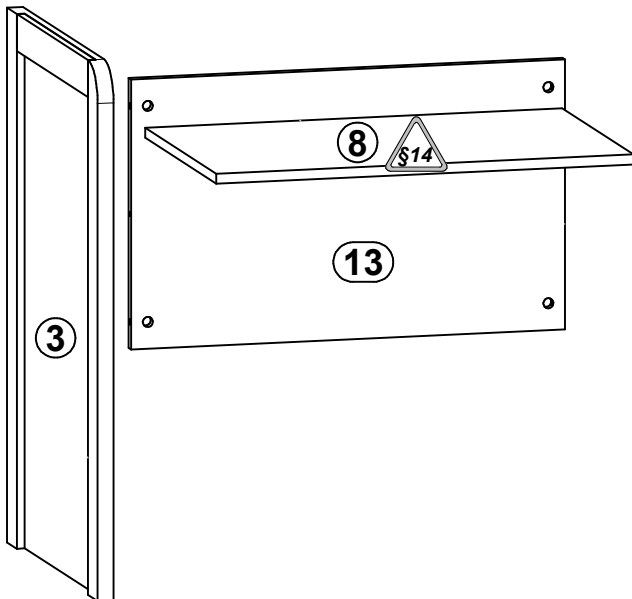
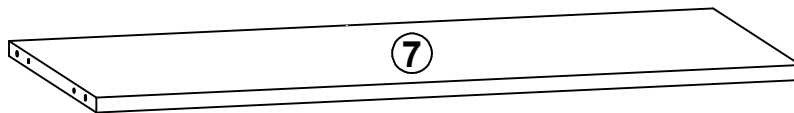
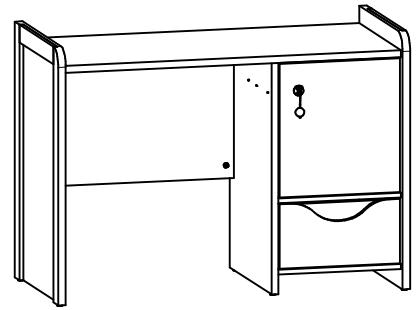


# HiHOT

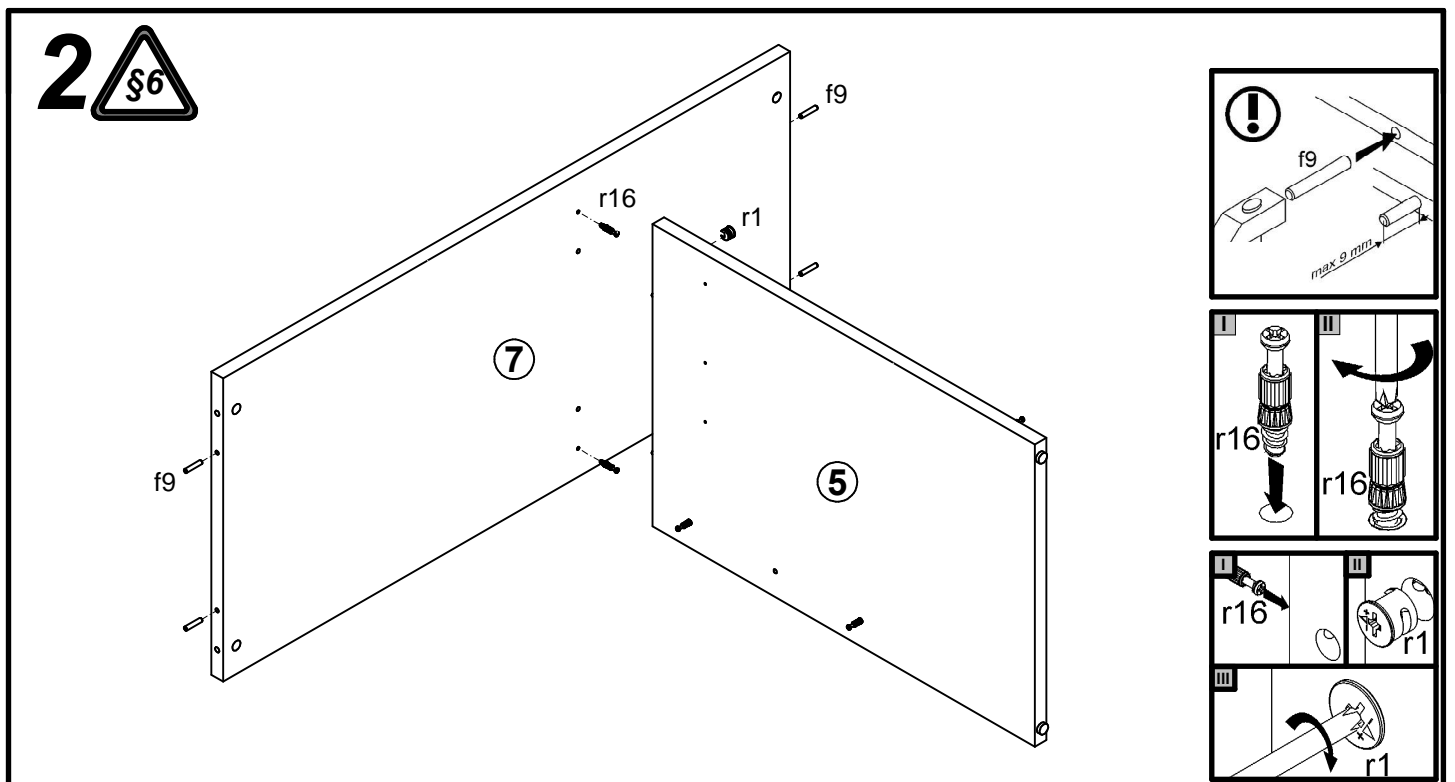
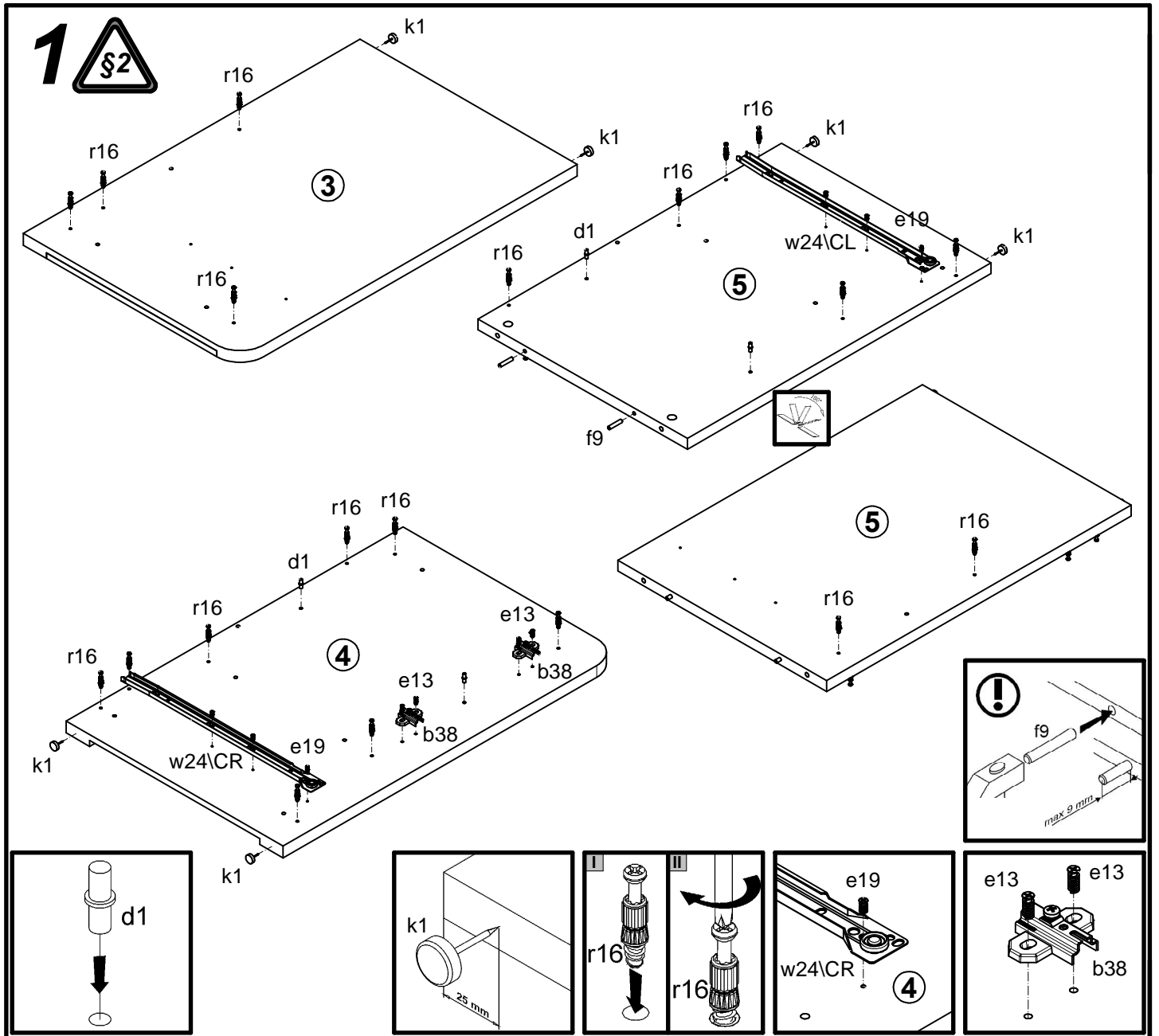
# S193-BIU1D1S

A	B	C	D	A	B	C	D		
1	S193-012	380	414	4/4	10	S193-408	337	161	4/4
2	S193-013	380	200	4/4	11	S193-409	386	60	1/4
3	S193-109	792	510	1/4	12	S193-410	386	641	1/4
4	S193-110	792	510	1/4	13	S193-411	654	400	1/4
5	S193-111	716	491	2/4	14	S193-907	359	429	2/4
6	S193-304	386	474	2/4	15	ZS3-5556	337	120	1/4
7	S193-306	1062	492	2/4	16	ZT5-503	450	120	1/4
8	S193-307	629	400	1/1	17	ZT5-504	450	120	1/4
9	S193-311	385	457	1/4					

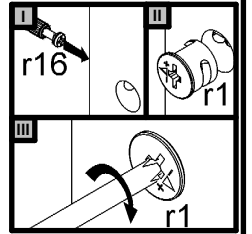
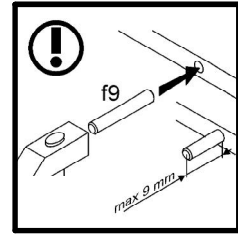
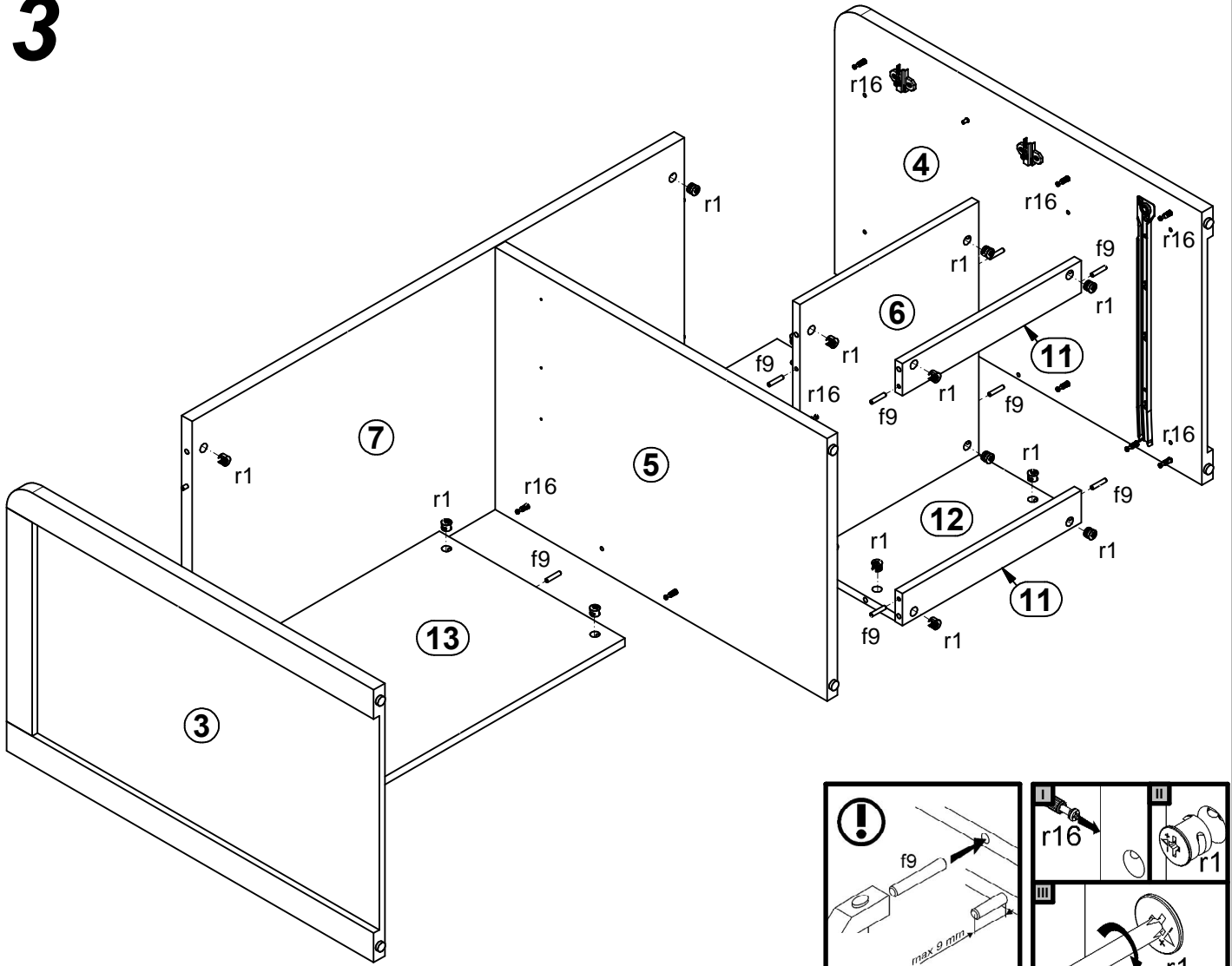


2x  a43	2x  b38	1x  c353\1	4x  Ø5x17 mm d1	4x  Ø5.5x13 mm e13
10x  Ø5x9 mm e19	8x  Ø6.5x40 mm f25	20x  Ø6x30 mm f9	1x  M4x16 mm j83	6x  k1
6x  Ø3.5x16 mm p38	4x  Ø3.5x15 mm p51	22x  Ø15x12 mm #16 r1	4x  Ø12x10.5 mm #12 r15	26x  r16
6x  Ø16 s2	1x  450 mm w24\CL	1x  450 mm w24\CR	1x  450 mm w24\DL	1x  450 mm w24\DR

§14		
4x  Ø3.5x13 mm p27	6x  Ø5x9 mm e19	1x  400 mm w5\CL
1x  400 mm w5\CR	1x  400 mm w5\DL	1x  400 mm w5\DR



# 3



# 4

