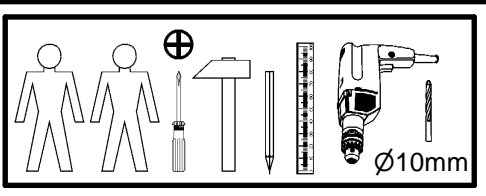
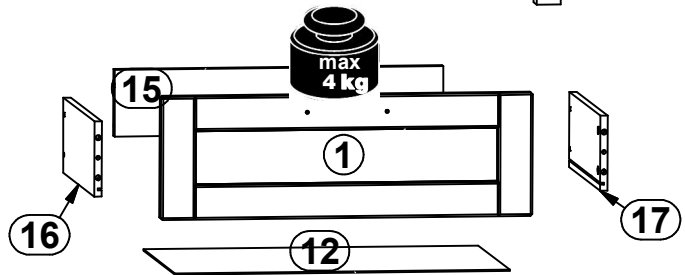
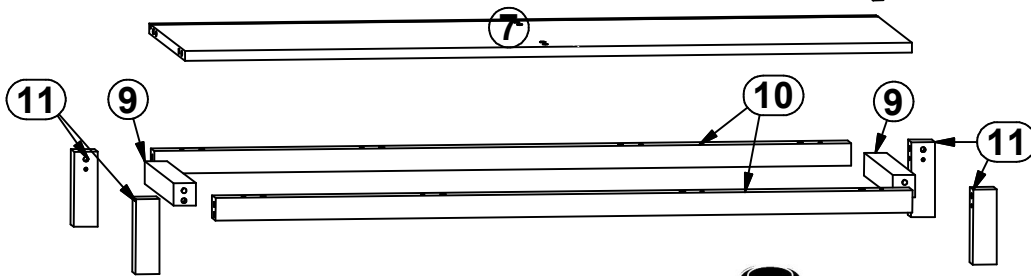
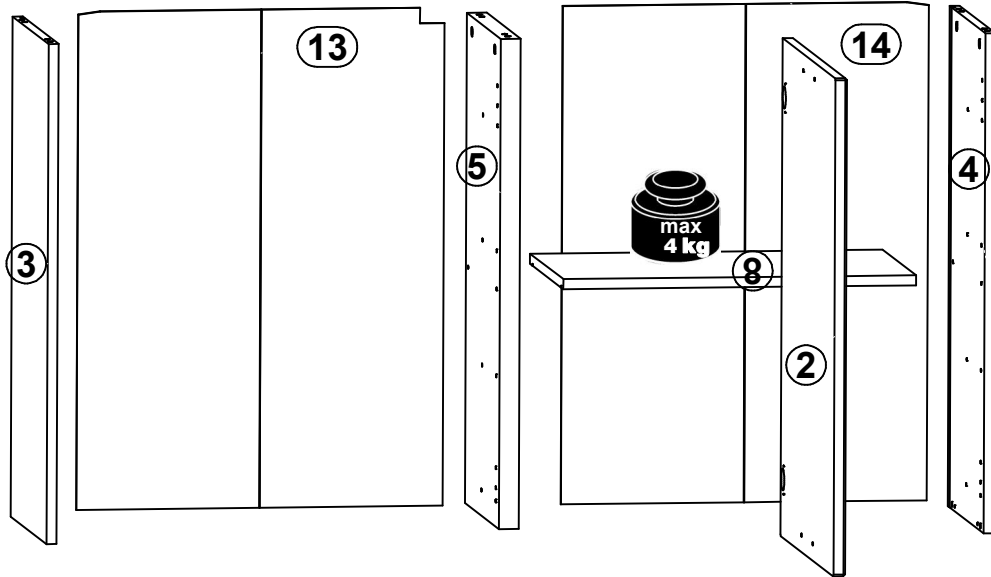
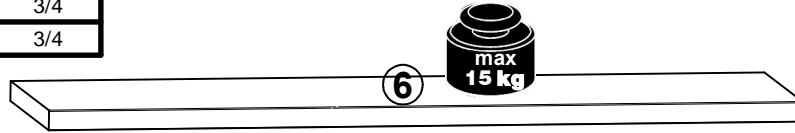
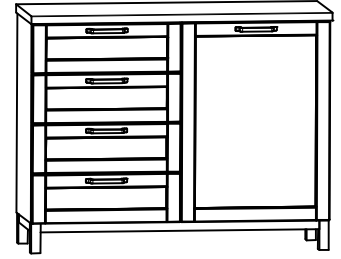
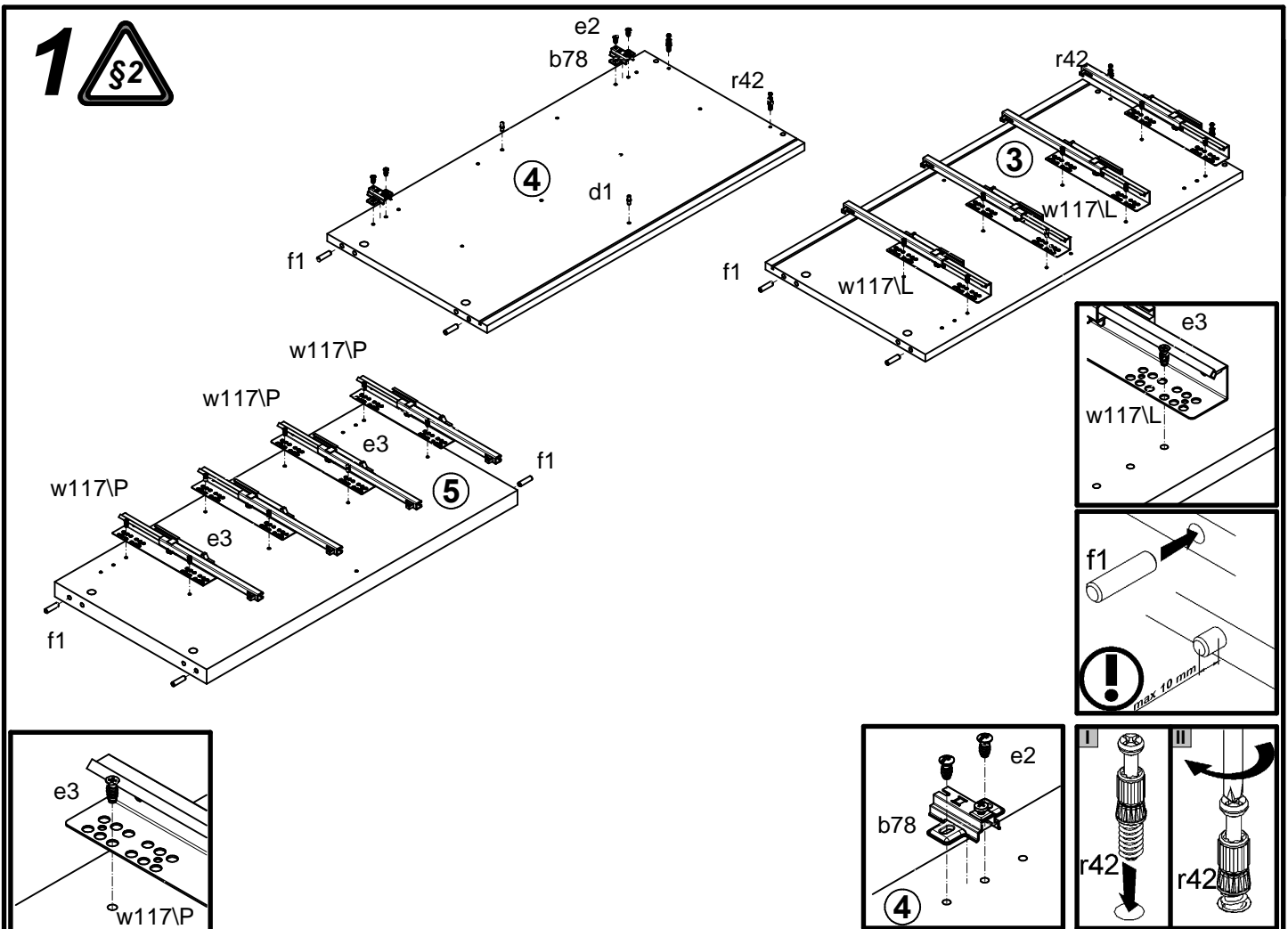


A	B	C	D	A	B	C	D		
1	S369-0008	596	197	4/4	11	S369-5004	120	38	3/4
2	S369-0009	797	596	4/4	12	S369-9003	537	355	4/4
3	S369-1006	800	403	1/4	13	S369-9304	797	587	1/4
4	S369-1007	800	403	1/4	14	S369-9305	797	587	1/4
5	S369-1008	784	383	1/4	15	ZQ5-506	527	107	4/4
6	S369-2003	1209	432	2/4	16	ZQ5-501	350	120	4/4
7	S369-3004	1166	403	2/4	17	ZQ5-502	350	120	4/4
8	S369-3005	566	377	4/4					
9	S369-4002	323	36	3/4					
10	S369-4004	1118	40	3/4					

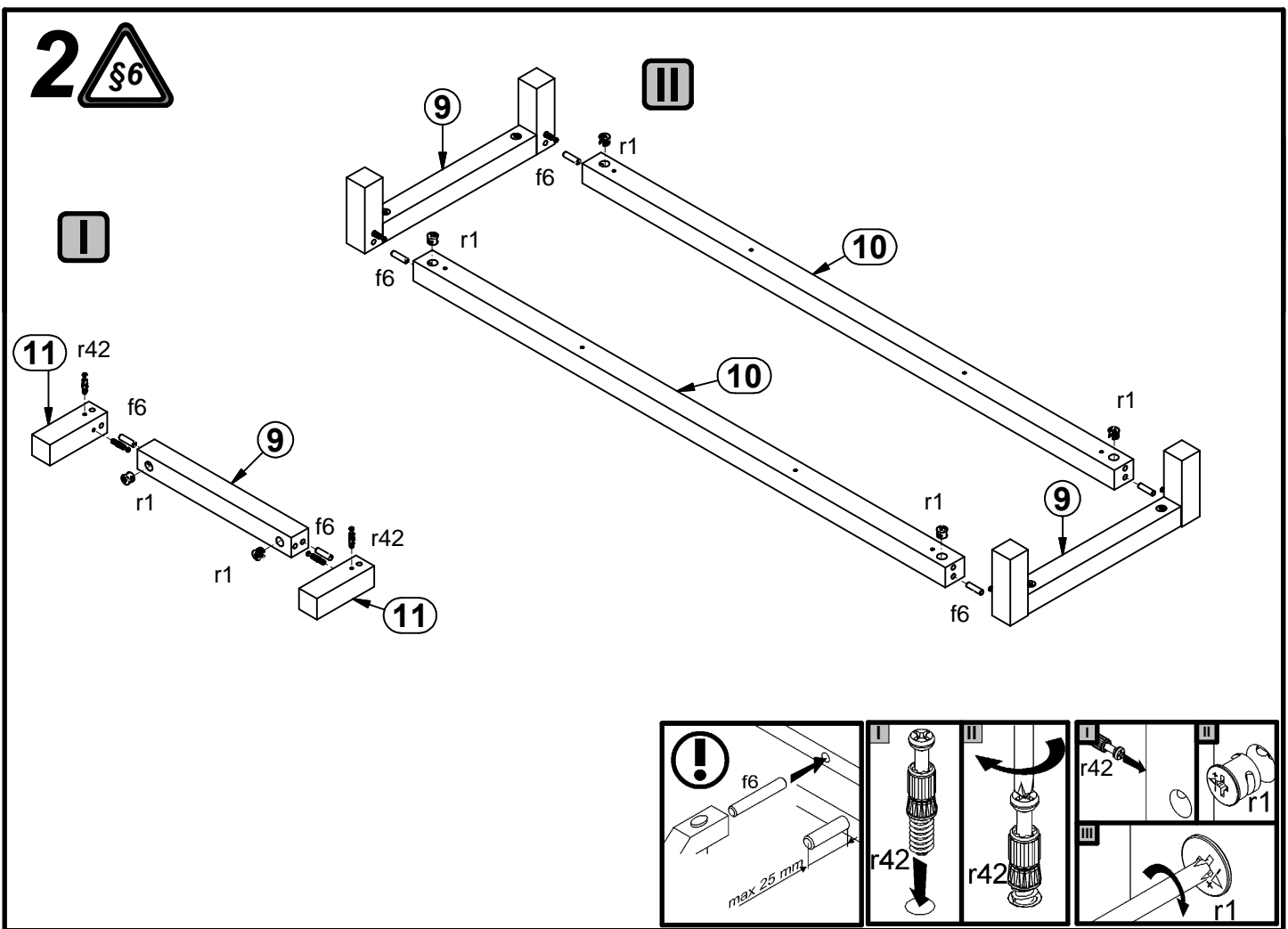


1x a133	2x a158	2x b78	5x c454 128mm	4x d1 Ø5x17 mm	2x e1 Ø7x50 mm	5x e2 Ø6.3x13 mm	16x e3 Ø6x13 mm	8x p12 Ø4x50 mm
20x f1 Ø8x30 mm	16x f25 Ø6.5x40 mm	1x f35 Ø10x50 mm	8x f9 Ø6x30 mm	10x j11 M4x28 mm	12x i2	4x n108 20x13x3.5/1	1x n14/2 86x21x15/1.5	1x p17 Ø5x60 mm
22x p38 Ø3.5x16 mm	4x p51 Ø3.5x15 mm	4x p55 Ø2.9x16 mm	18x r1 Ø15x12 mm #16	16x r15 Ø12x10.5 mm #12	34x r42 20/11	4x w117/L 350 mm	4x w117/P 350 mm	
8x f6 Ø8x50 mm	4x s68 Ø 20mm	1x k3813 42.5x42.5/4 mm	1x k3817 30x30/108 mm	1x z1 4 mm				

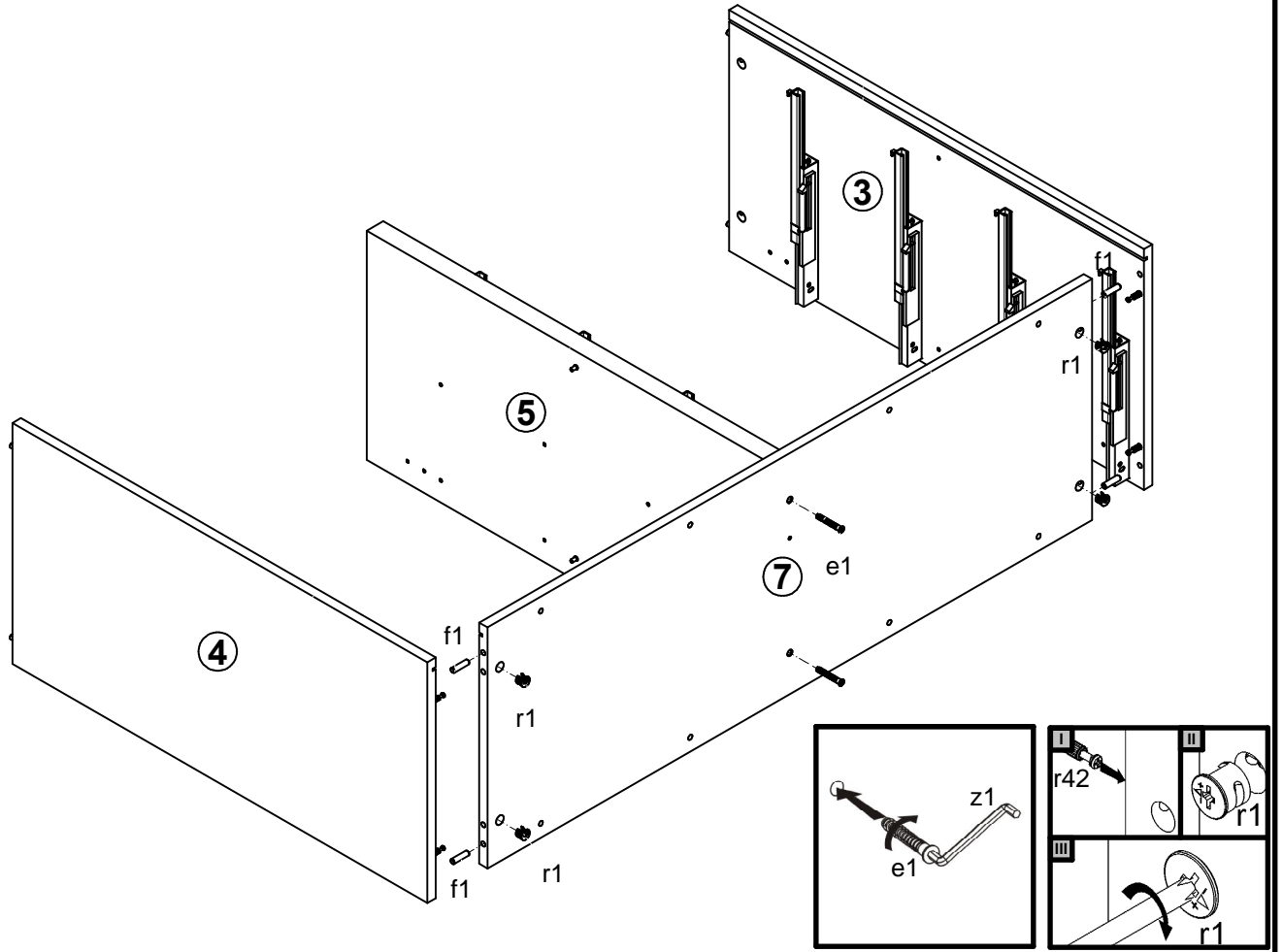
# 1 §2



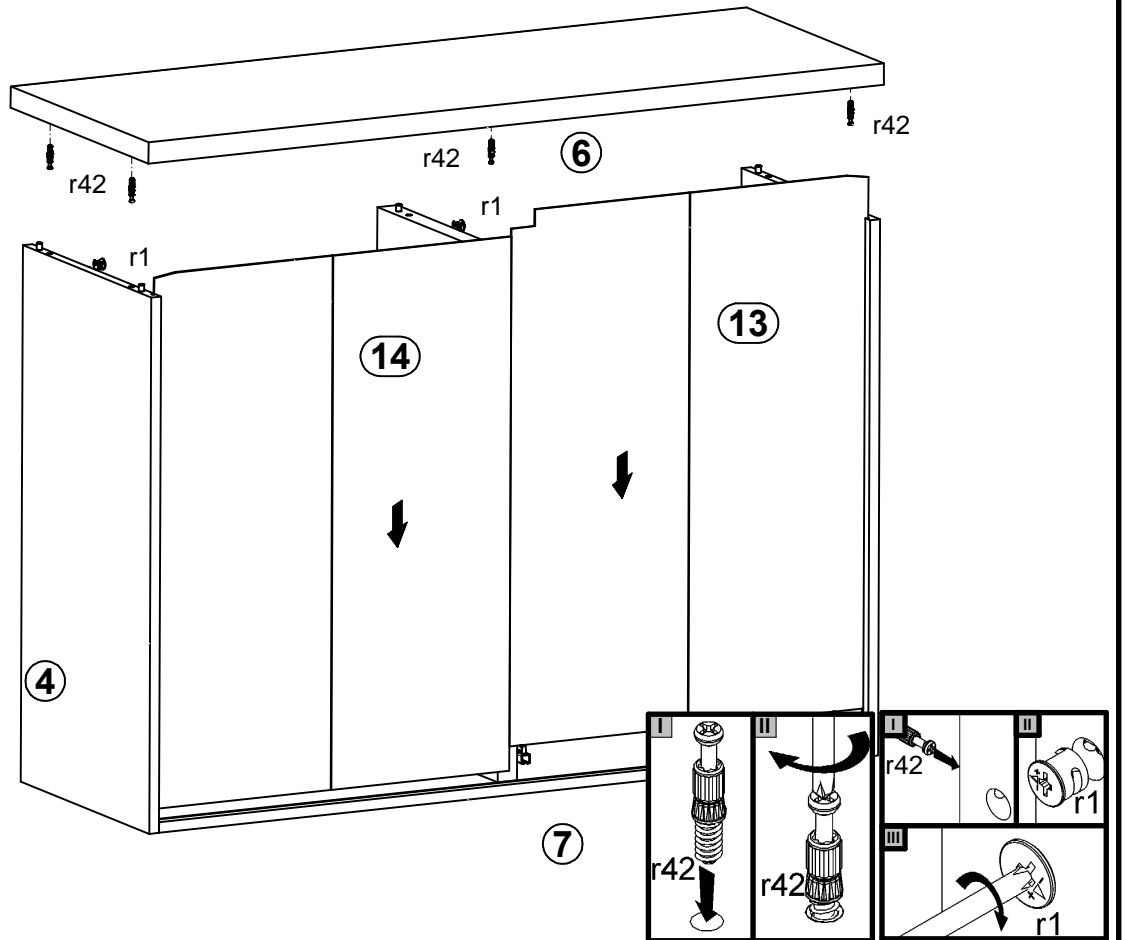
# 2 §6

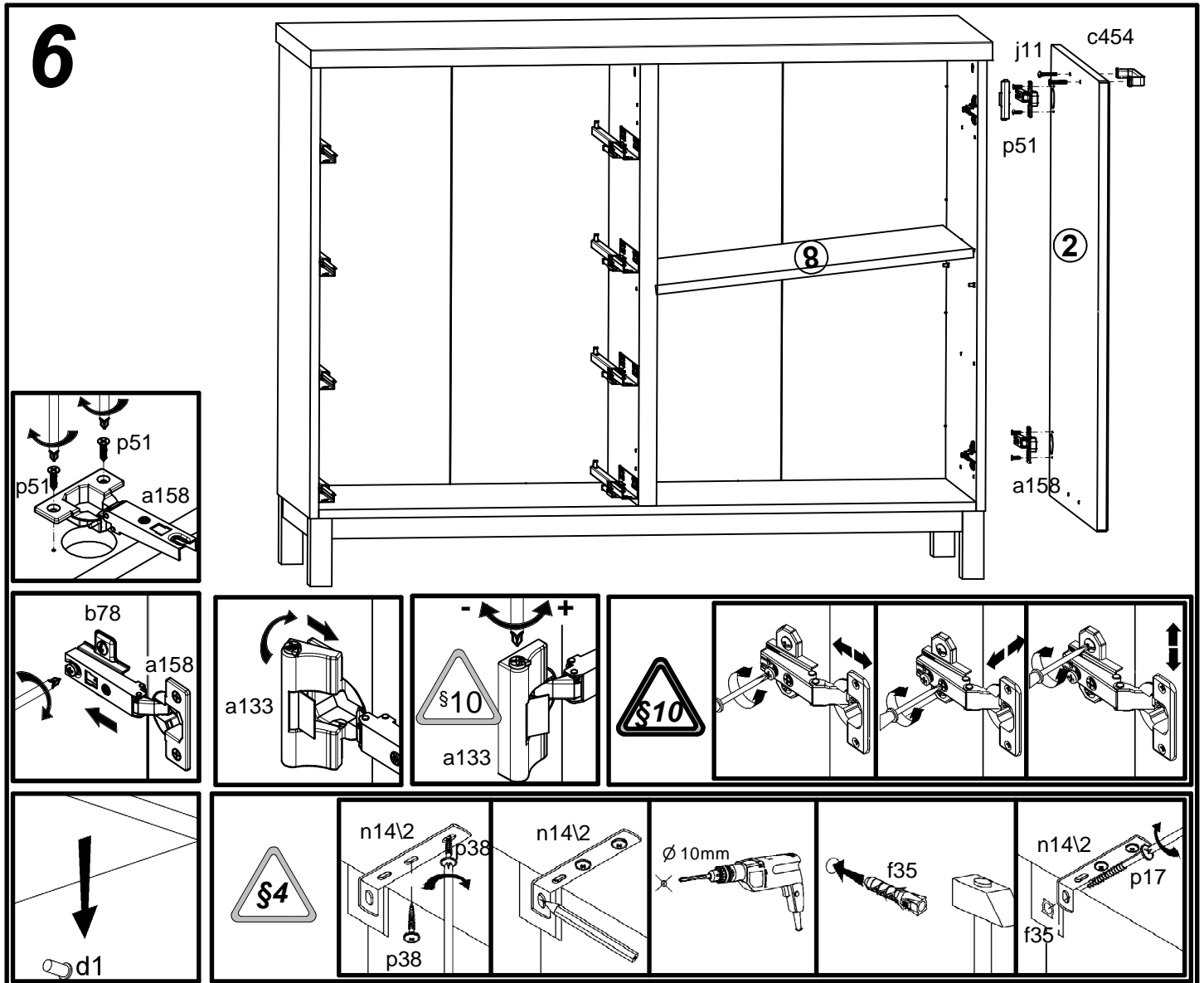
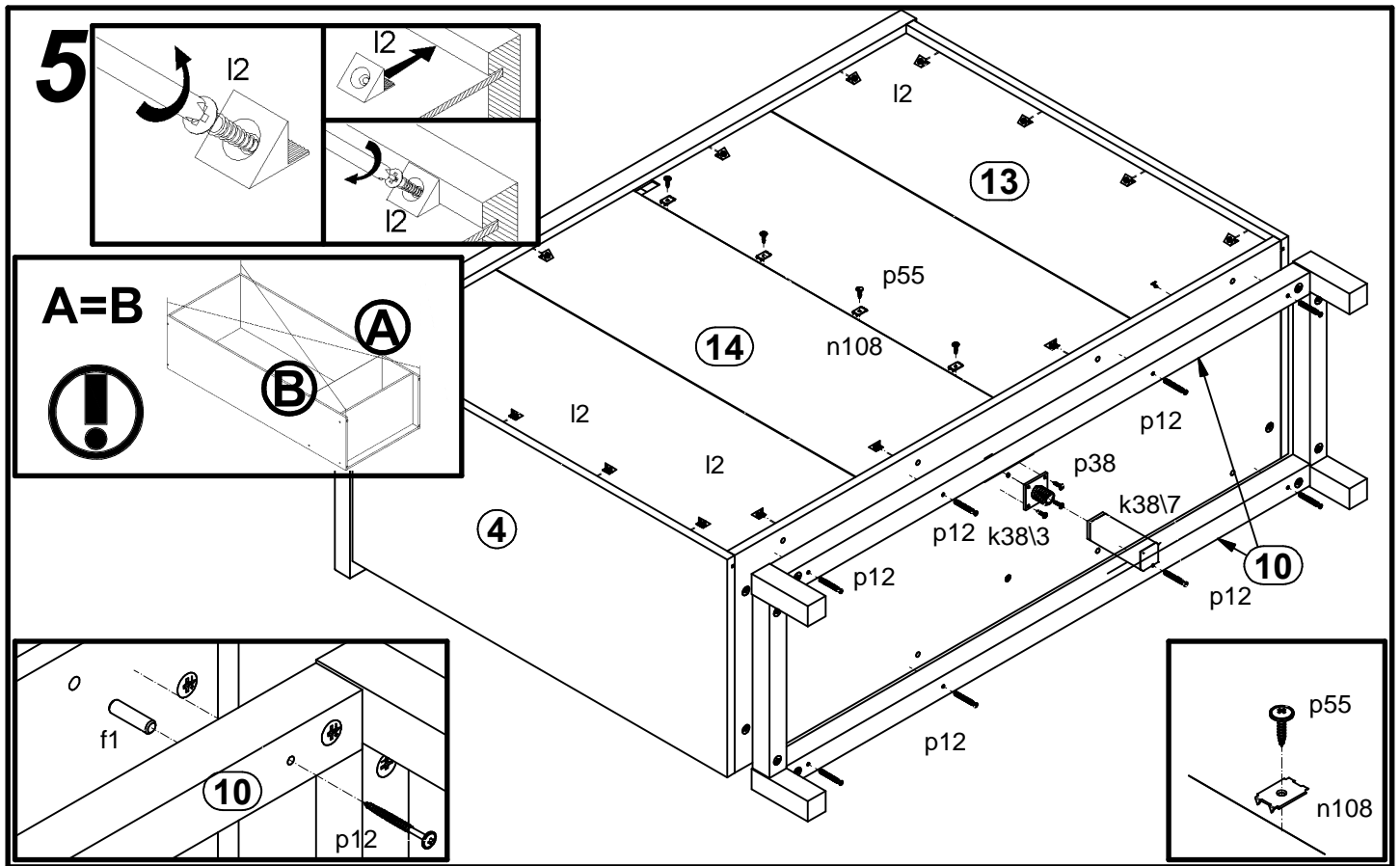


# 3

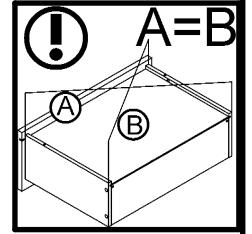
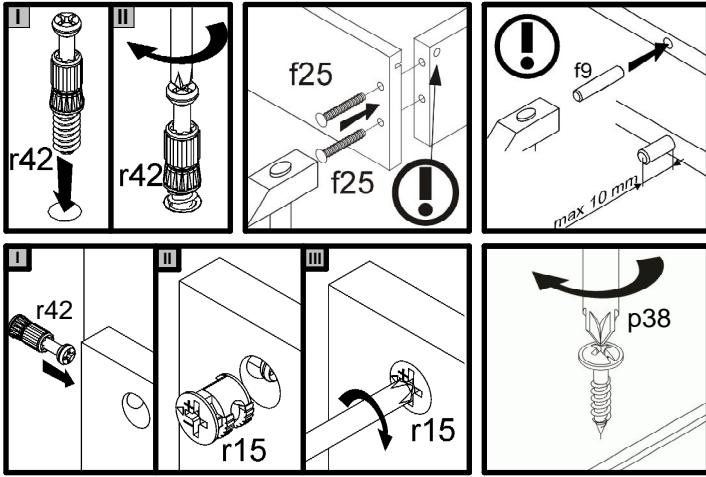
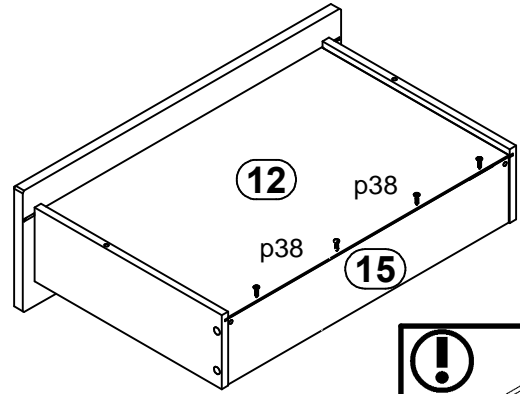
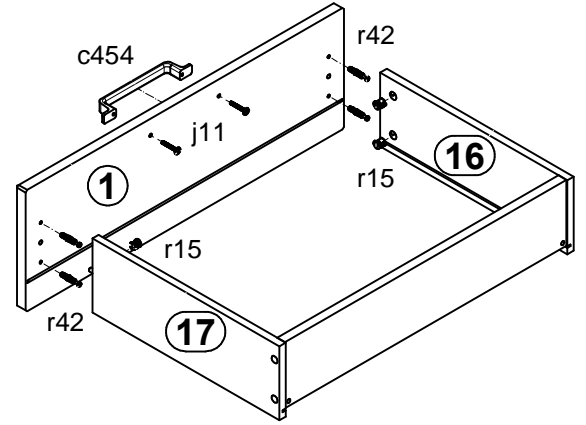
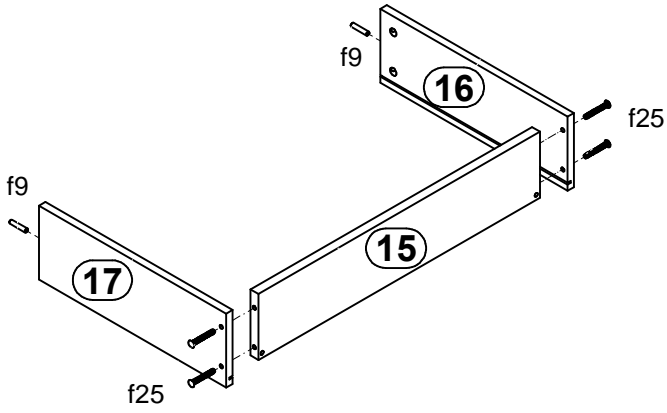


# 4





# 7



# 8

