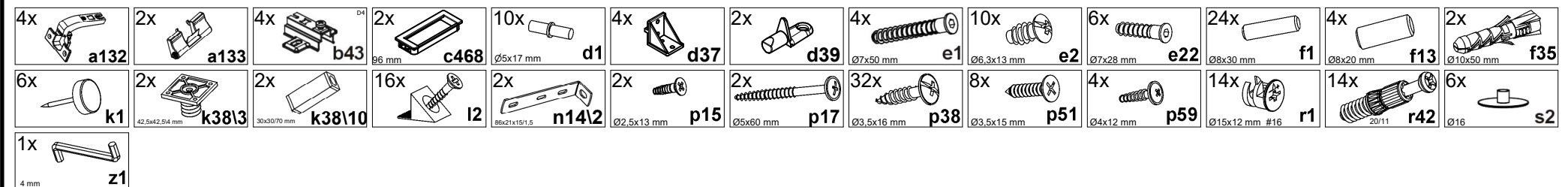
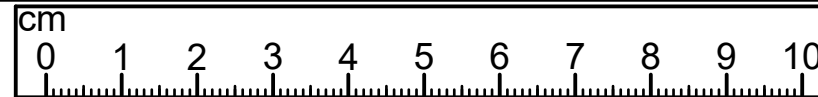
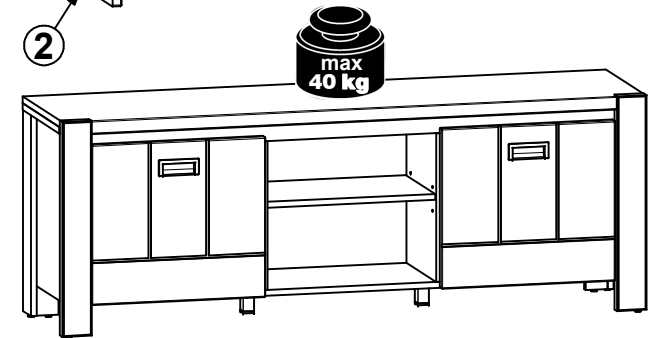
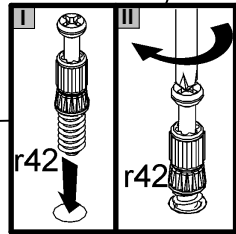
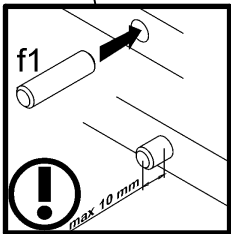
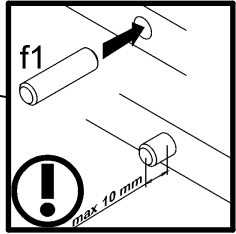
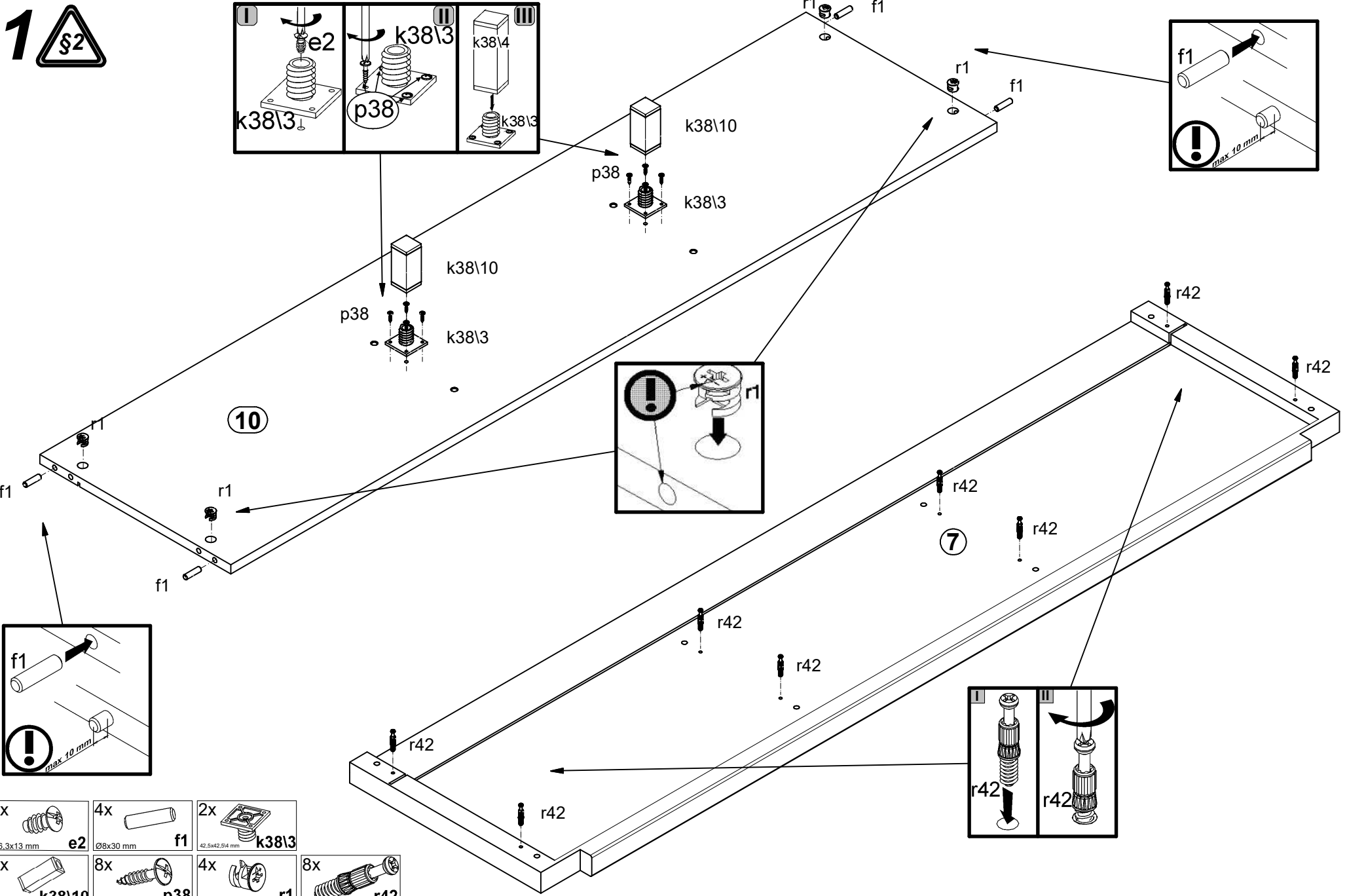
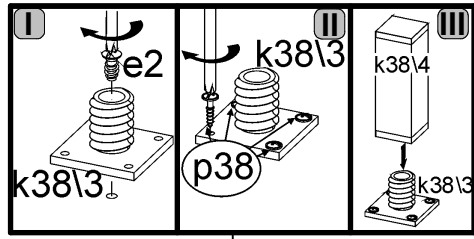


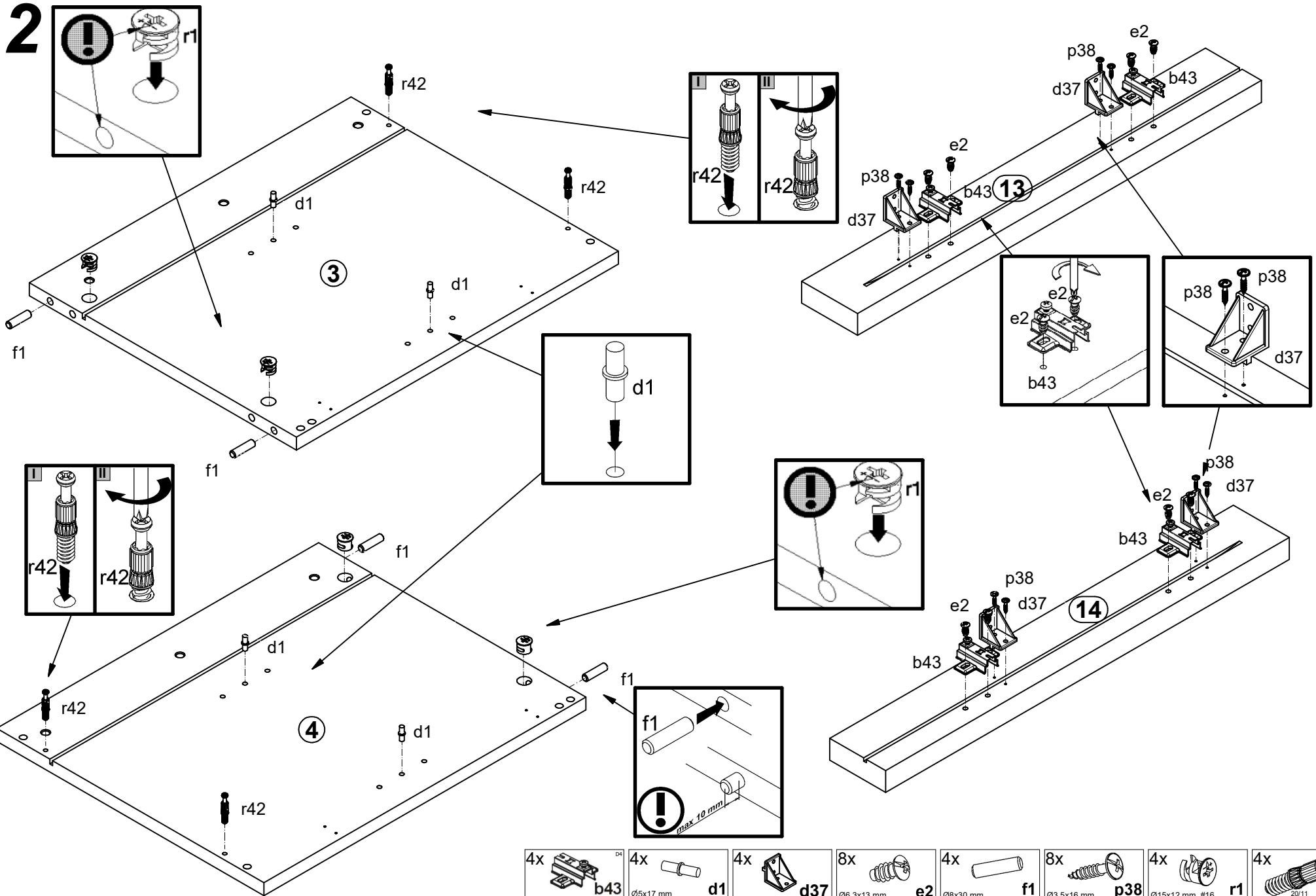
| A  | B         | C (mm) |     | D   |
|----|-----------|--------|-----|-----|
| 1  | S378-0012 | 430    | 476 | 1/3 |
| 2  | S378-0013 | 430    | 476 | 1/3 |
| 3  | S378-1013 | 460    | 382 | 1/3 |
| 4  | S378-1014 | 460    | 382 | 1/3 |
| 5  | S378-1015 | 462    | 302 | 1/3 |
| 6  | S378-1016 | 462    | 302 | 1/3 |
| 7  | S378-2005 | 1597   | 405 | 2/3 |
| 8  | S378-3014 | 461    | 297 | 2/3 |
| 9  | S378-3016 | 518    | 297 | 2/3 |
| 10 | S378-3017 | 1532   | 382 | 2/3 |
| 11 | S378-4004 | 1532   | 44  | 2/3 |
| 12 | S378-5005 | 80     | 60  | 3/3 |
| 13 | S378-5014 | 577    | 80  | 3/3 |
| 14 | S378-5015 | 577    | 80  | 3/3 |
| 15 | S378-5016 | 540    | 80  | 3/3 |
| 16 | S378-5017 | 540    | 80  | 3/3 |
| 17 | S378-9307 | 1542   | 473 | 2/3 |



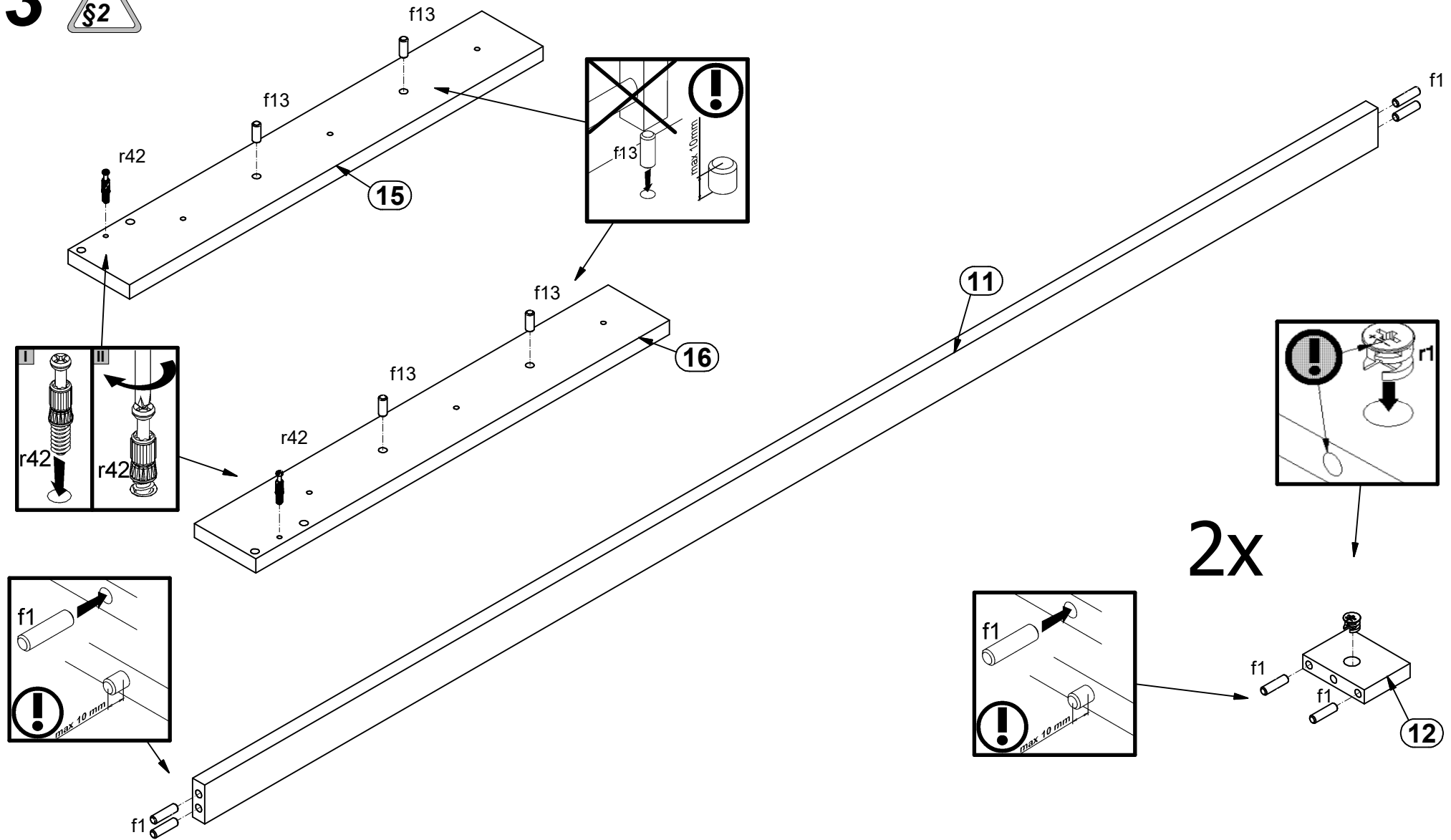


- 2x e2  
Ø6.3x13 mm
- 4x f1  
Ø8x30 mm
- 2x k38\3  
42.5x42.5x4 mm

- 2x k38\10  
30x30x70 mm
- 8x p38  
Ø3.5x16 mm
- 4x r1  
Ø15x12 mm #16
- 8x r42  
20\11



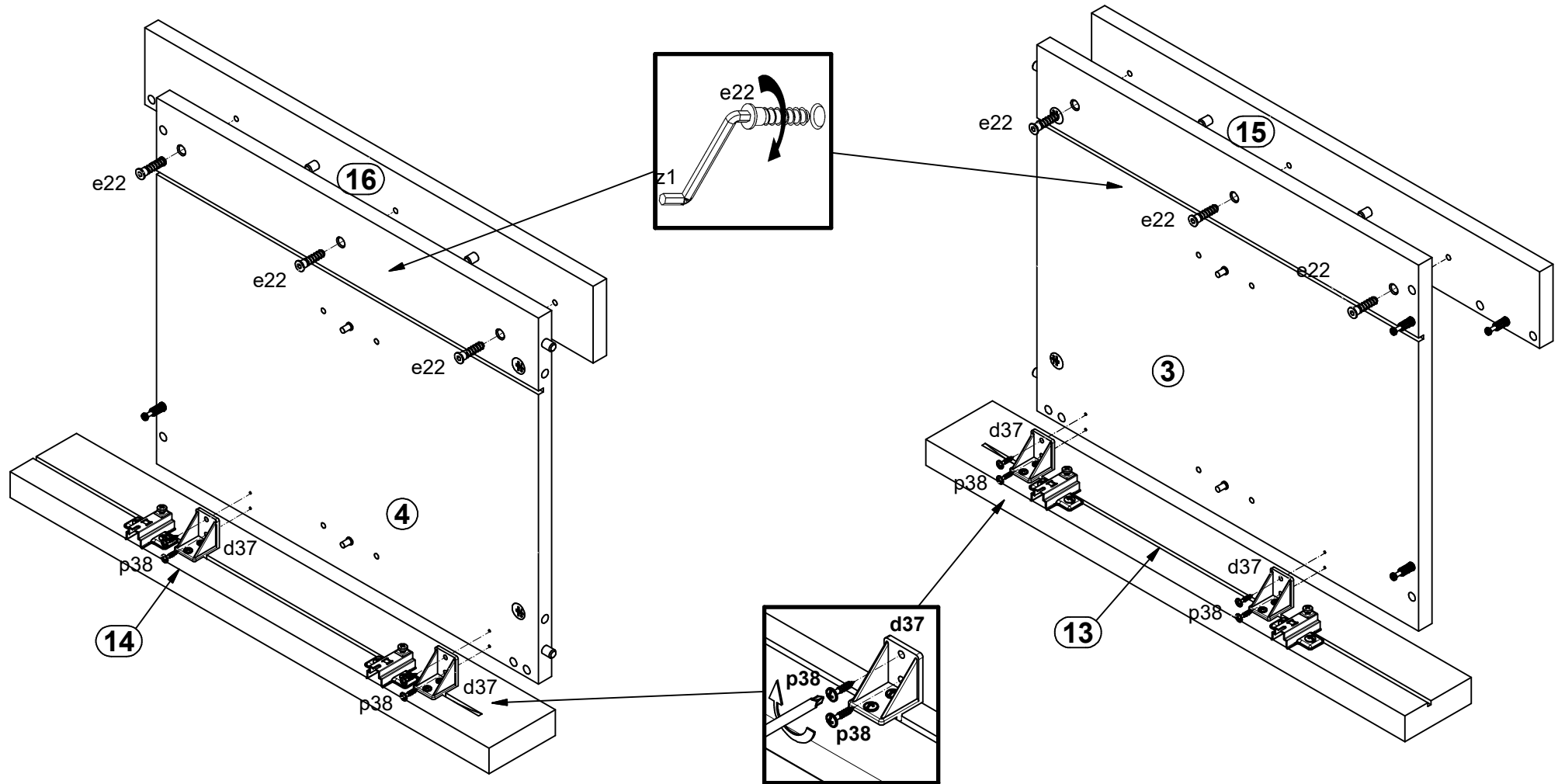
3






2x

|                      |                       |                           |                    |
|----------------------|-----------------------|---------------------------|--------------------|
| 8x<br>Ø8x30 mm<br>f1 | 4x<br>Ø8x20 mm<br>f13 | 2x<br>Ø15x12 mm #16<br>r1 | 2x<br>20/11<br>r42 |
|----------------------|-----------------------|---------------------------|--------------------|

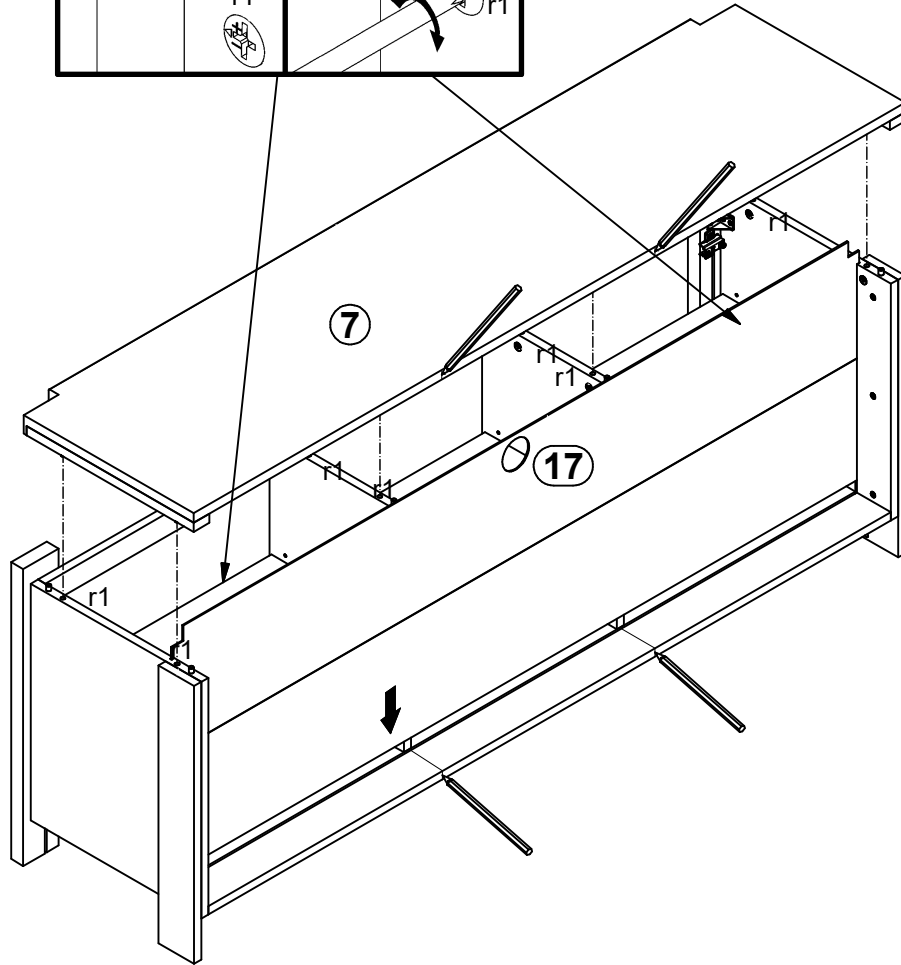
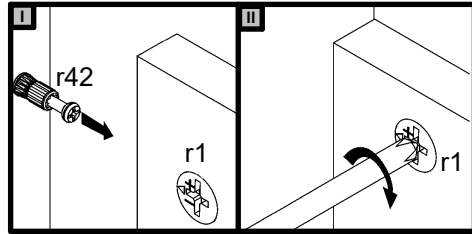
**4** 



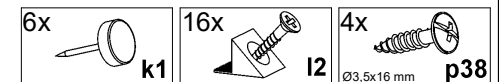
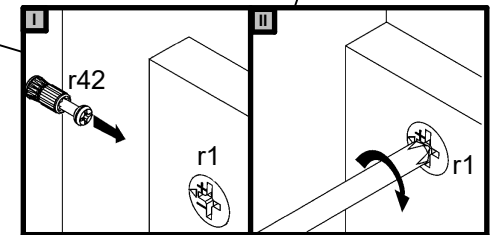
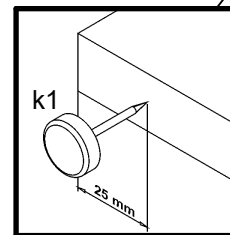
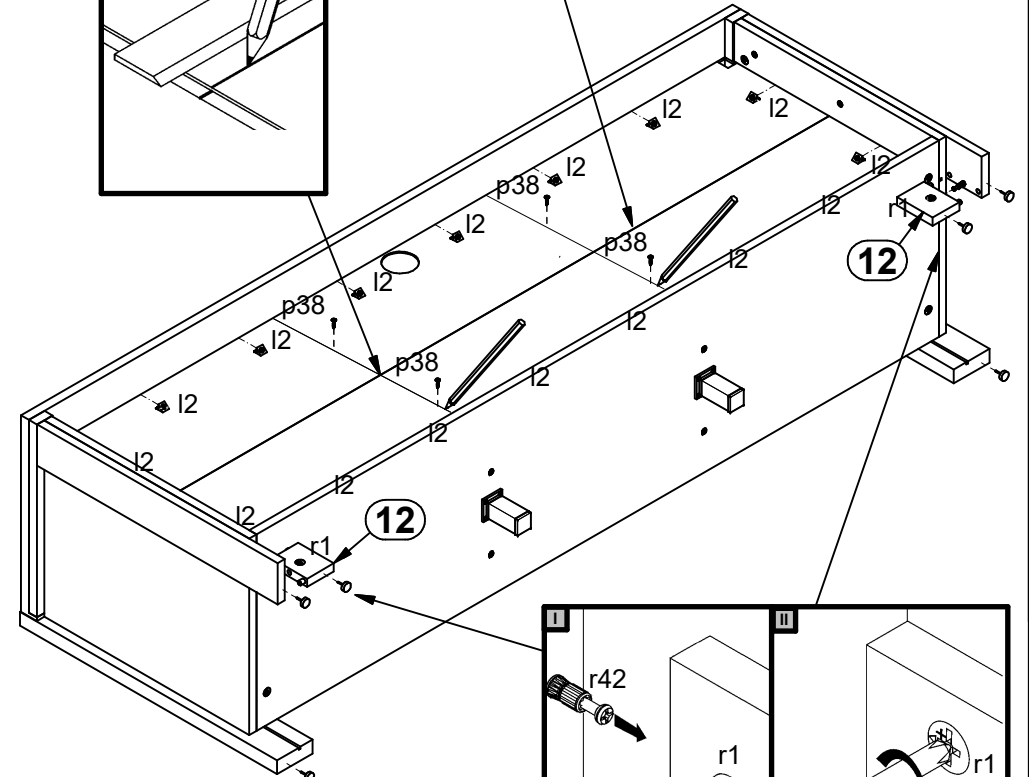
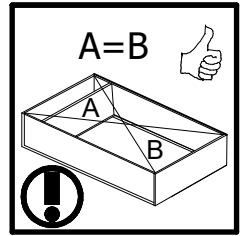
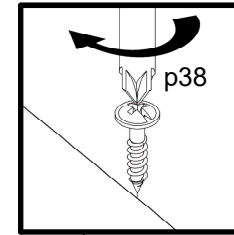
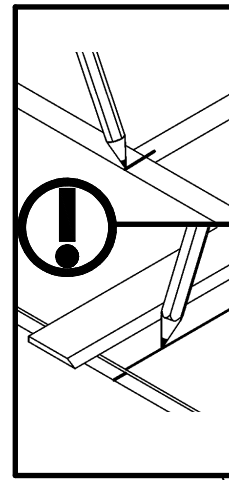
|  |  |   |
|--|--|---|
| 6x  e22<br>Ø7x28 mm | 8x  p38<br>Ø3,5x16 mm | 1x  z1<br>4 mm |
|--|--|---|



6

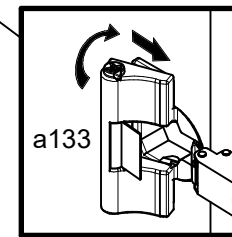
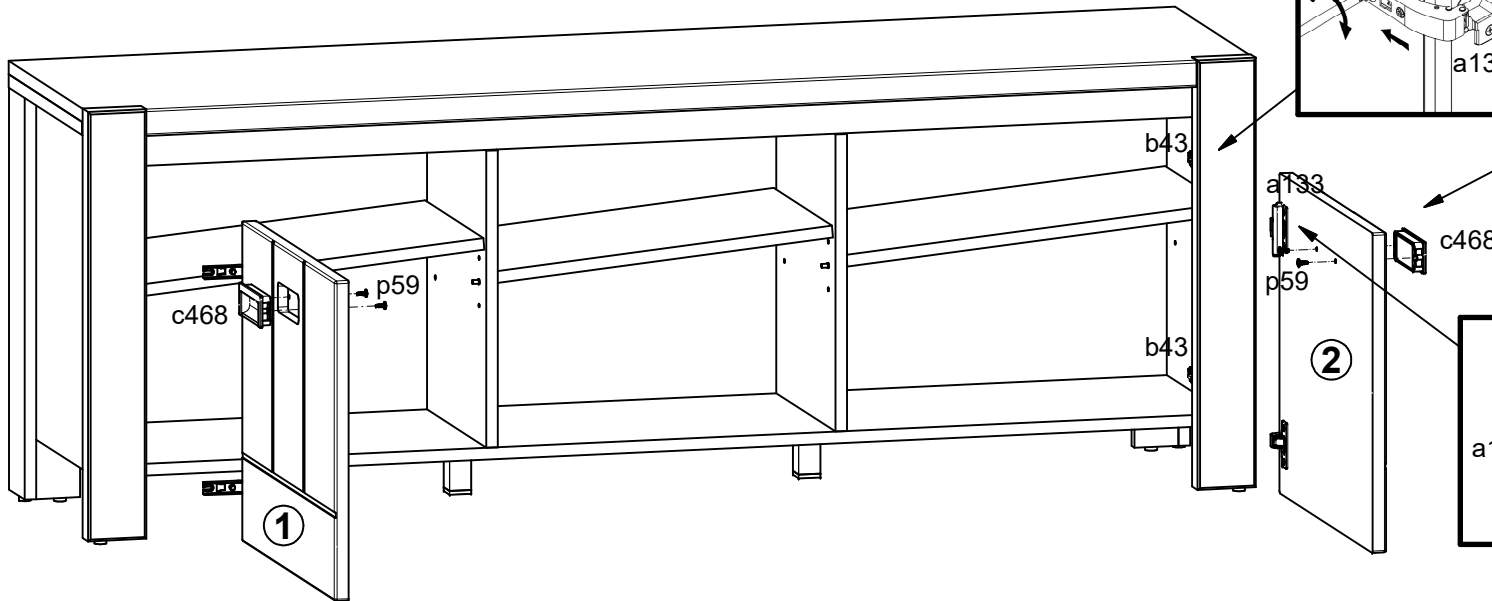
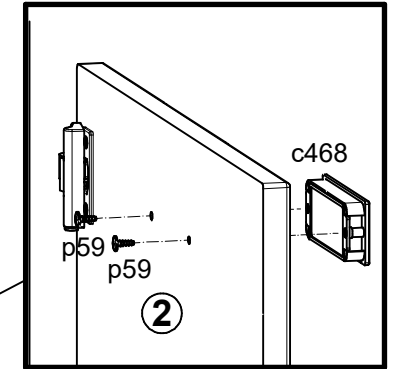
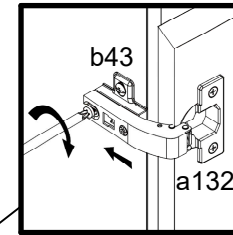
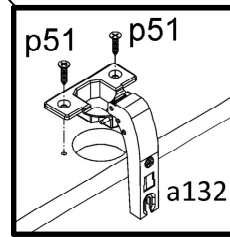
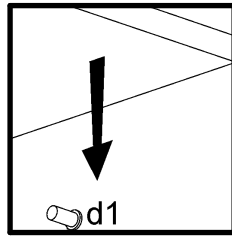
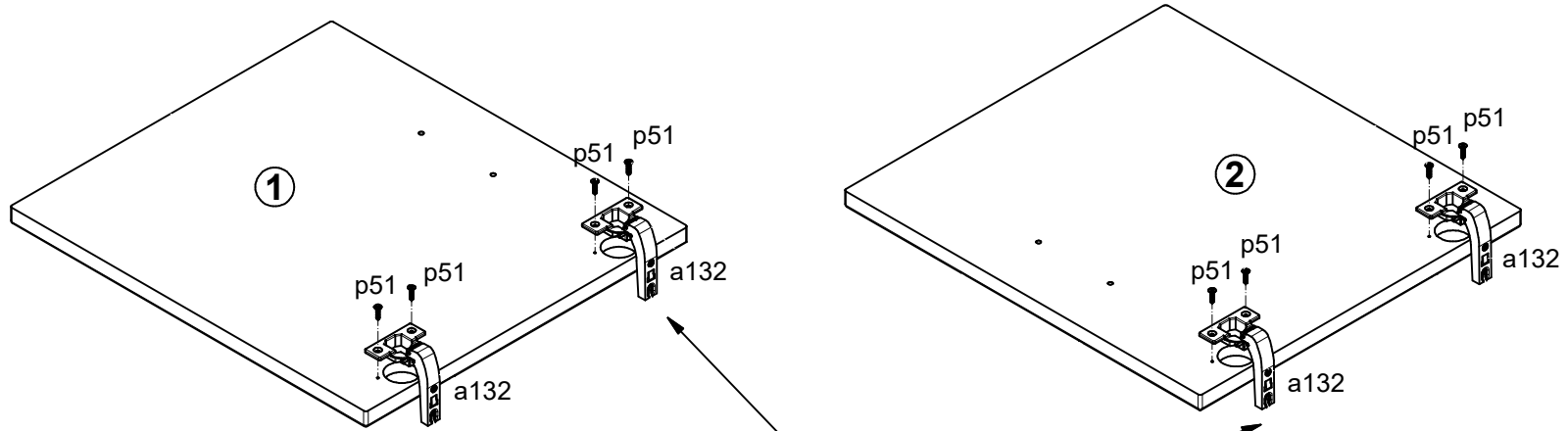





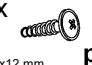

7



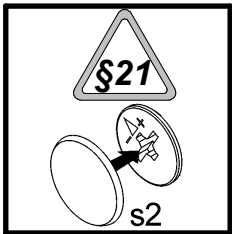
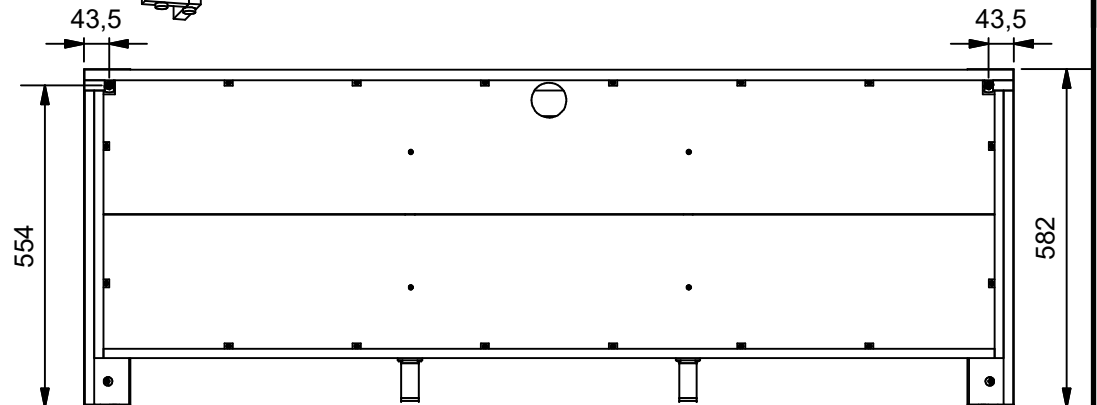
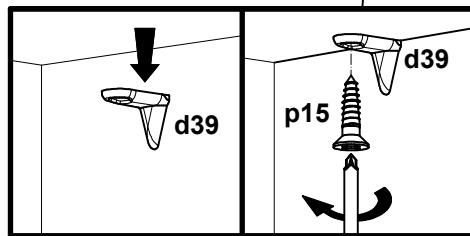
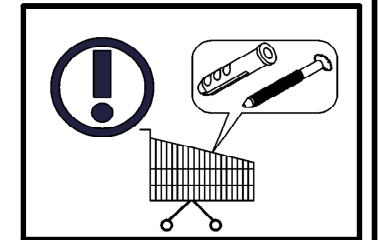
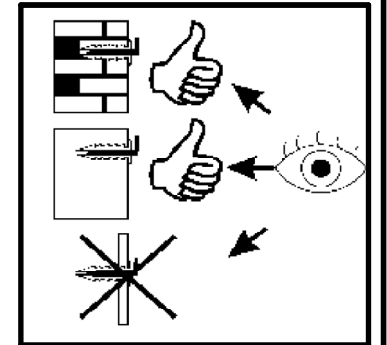
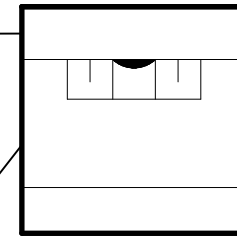
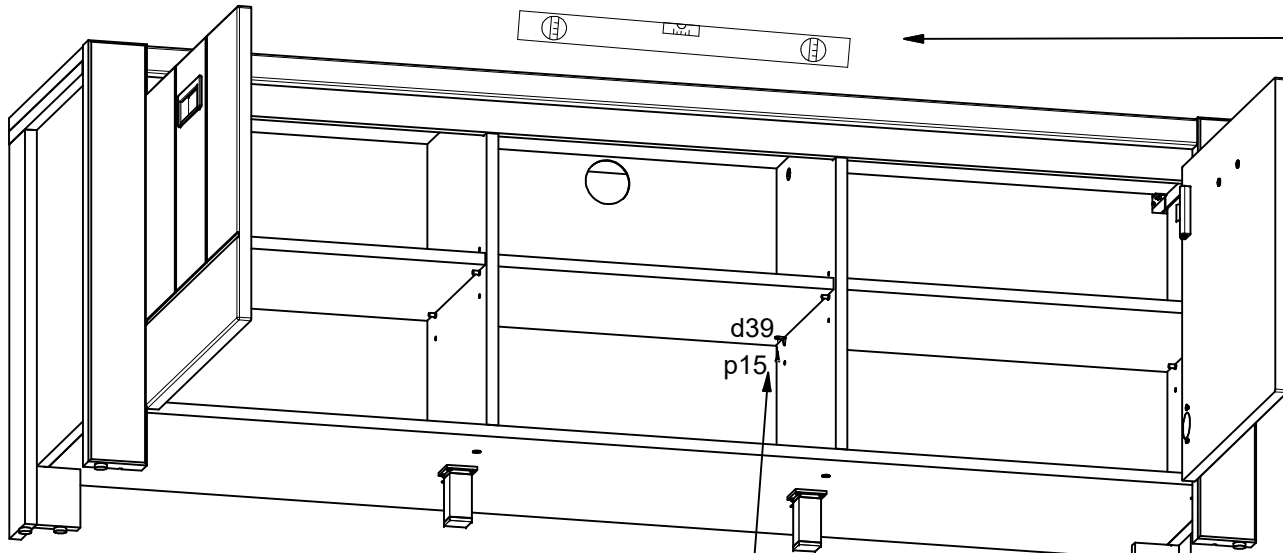
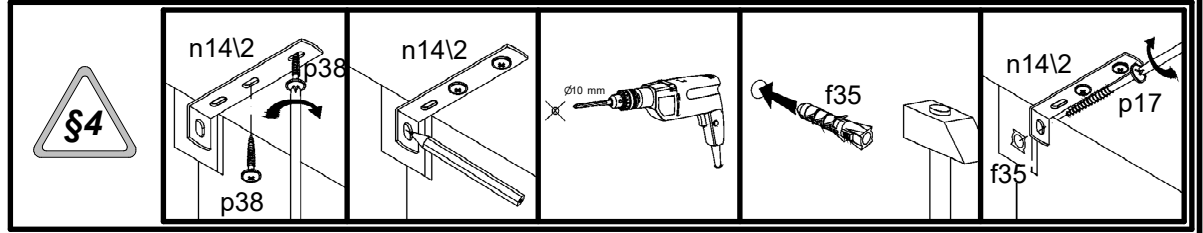
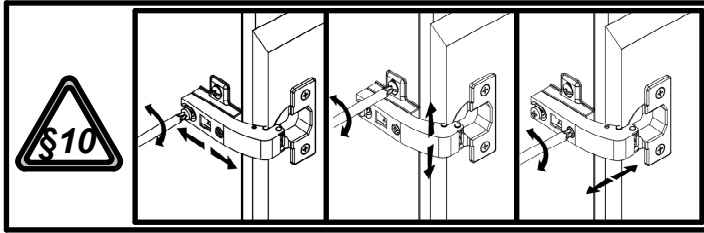


8



- 4x  **a132**
- 2x  **a133**
- 2x  **c468**  
96 mm
- 4x  **p59**  
Ø4x12 mm
- 8x  **p51**  
Ø3,5x15 mm

9



- 2x f35
- 2x n14\2
- 2x p15
- 2x p17
- 4x p38
- 6x s2