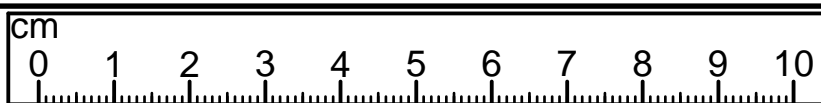
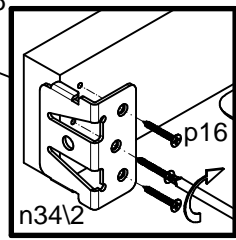
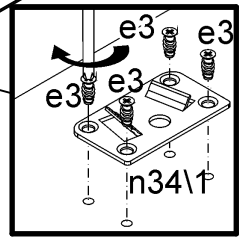
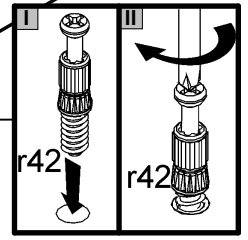
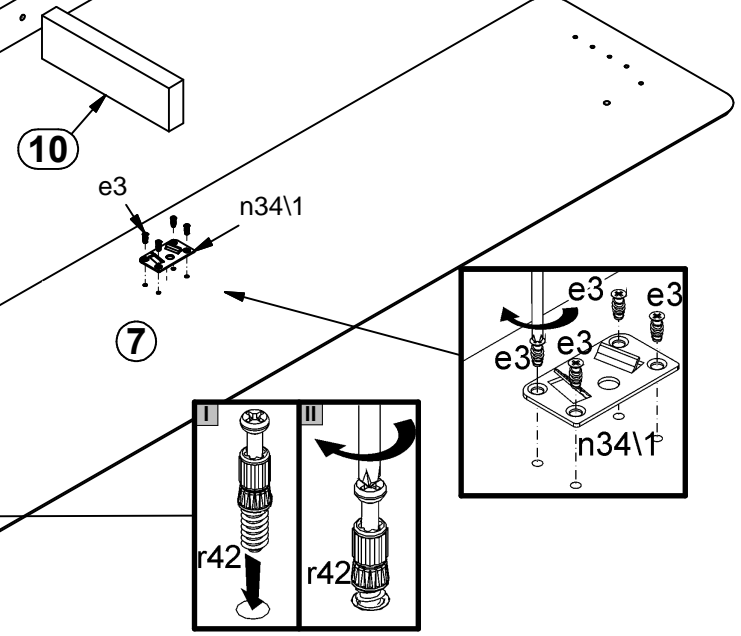
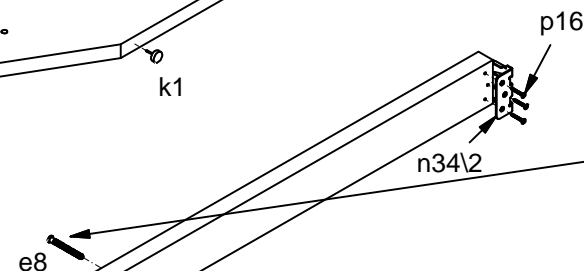
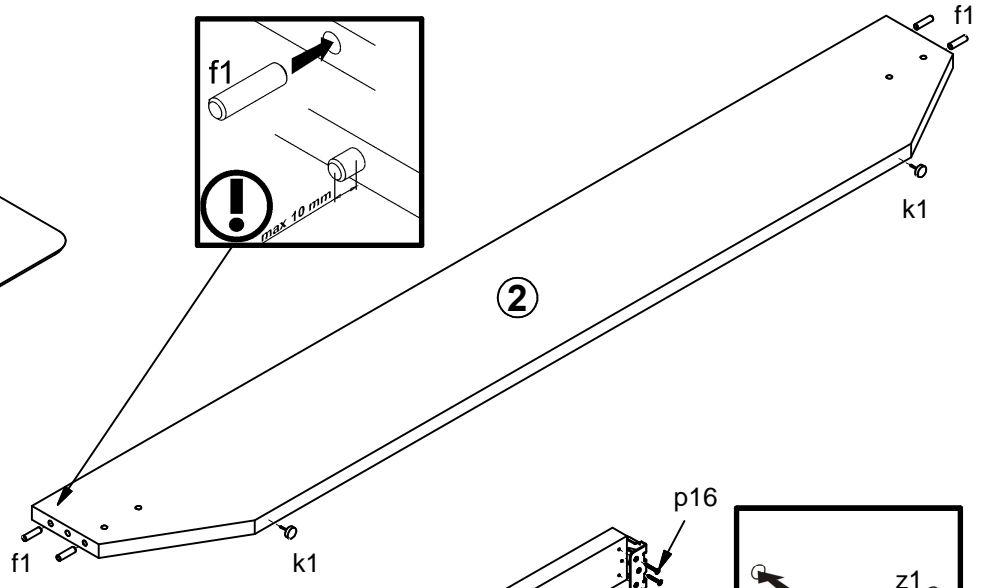
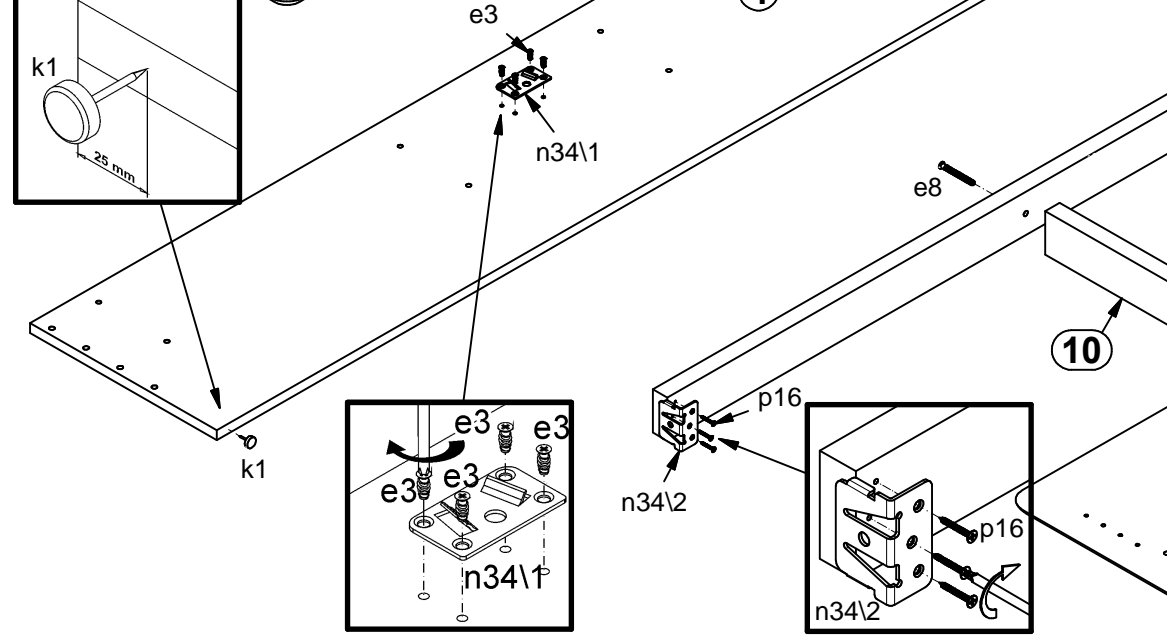
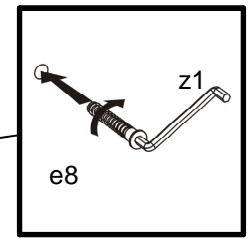
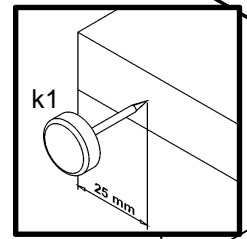
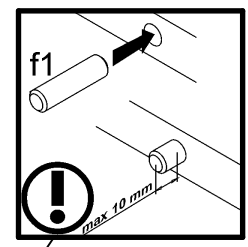
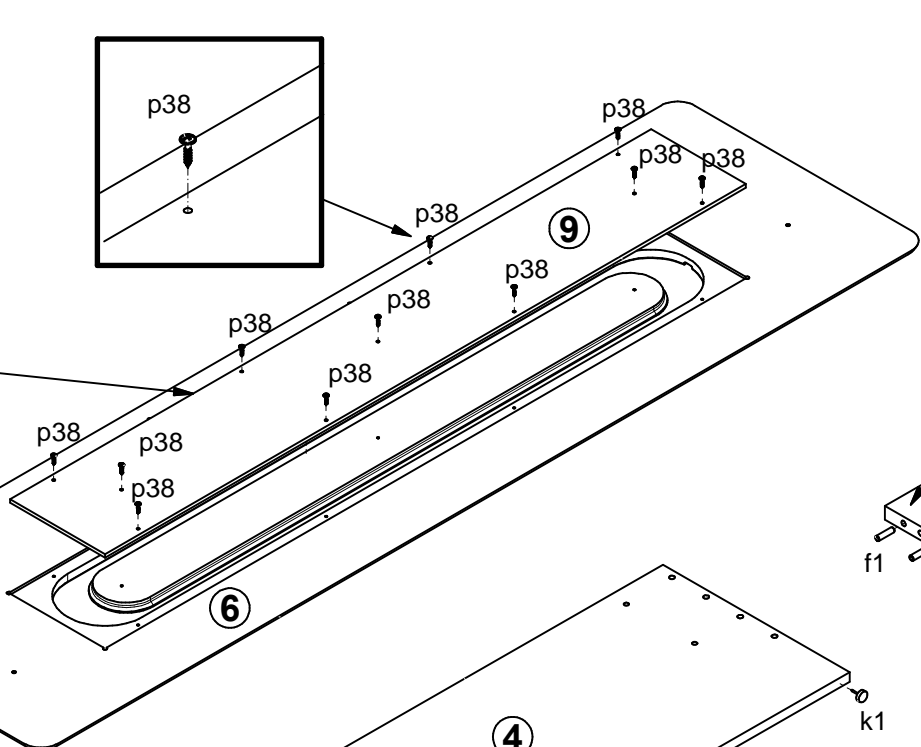
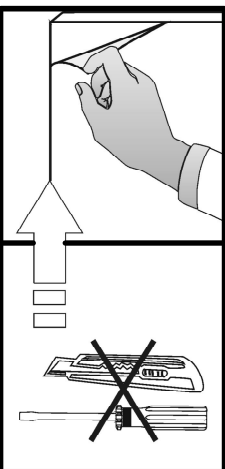


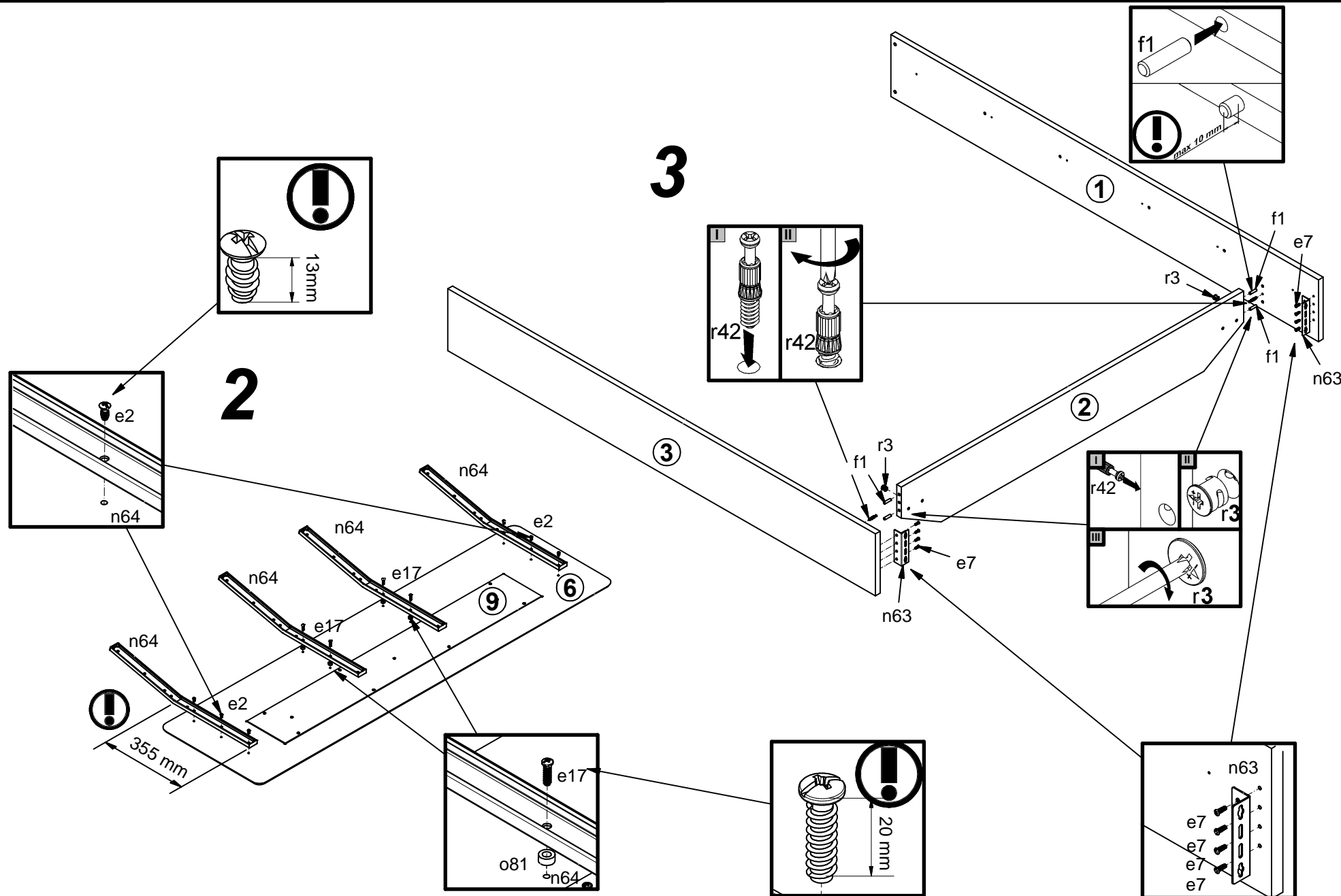
A	B	C (mm)		D
1	S205-134A	2000	250	2/3
2	S205-135A	1600	232	1/3
3	S205-136	2000	250	2/3
4	S205-404	1646	350	1/3
5	S205-406A	250	130	2/3
6	S220-7010	470	1662	3/3
7	S220-7011	366	1662	3/3
8	S220-7012	100	1042	3/3
9	S220-7013	1200	178	3/3
10	ZZ1-416	238	70	2/3
11	ZZ1-501	1872	1578	1/1
12	ZZ1-719	1983	70	2/3
13	ZZ1-747	1880	25	2/3
14	n64			1/3

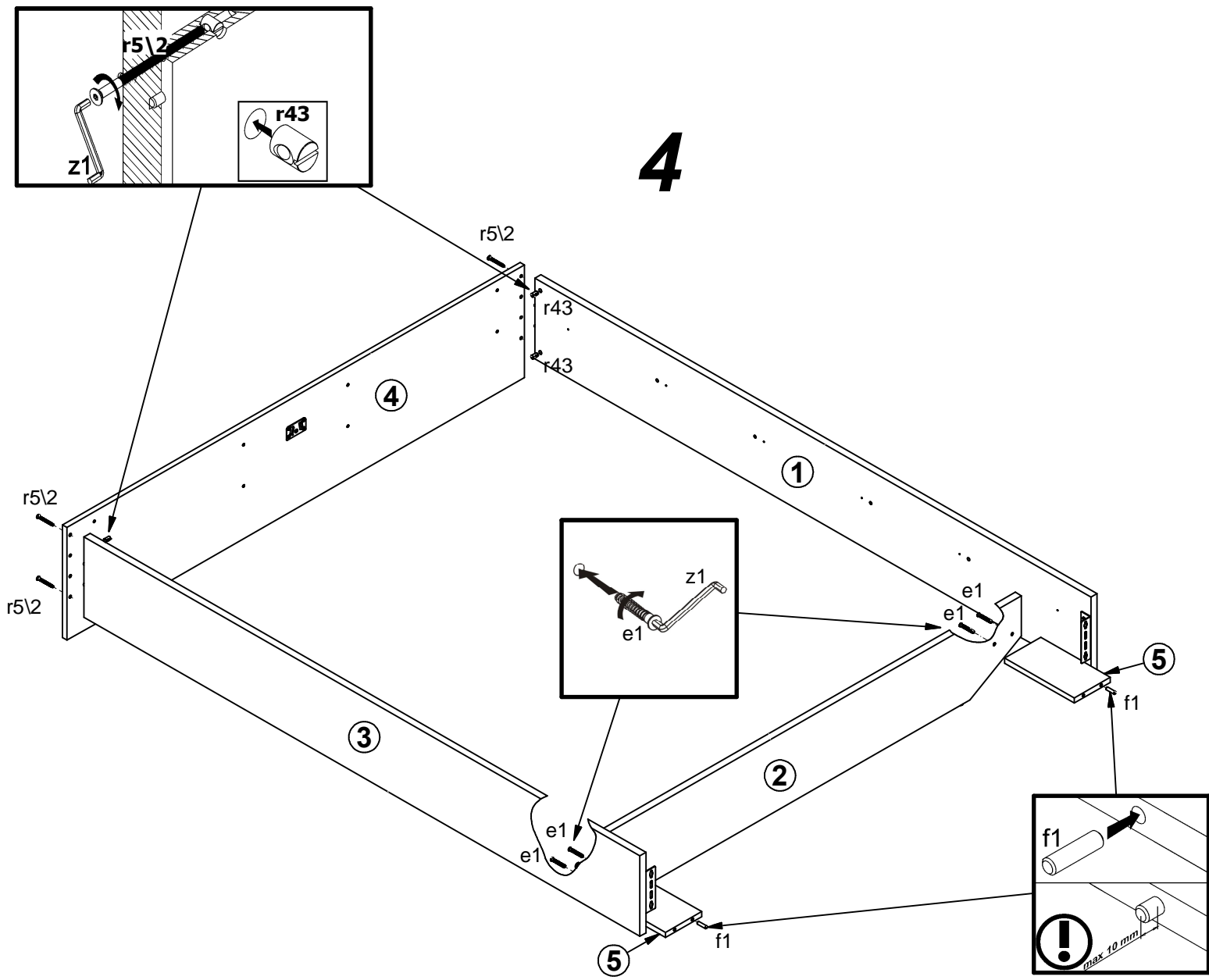


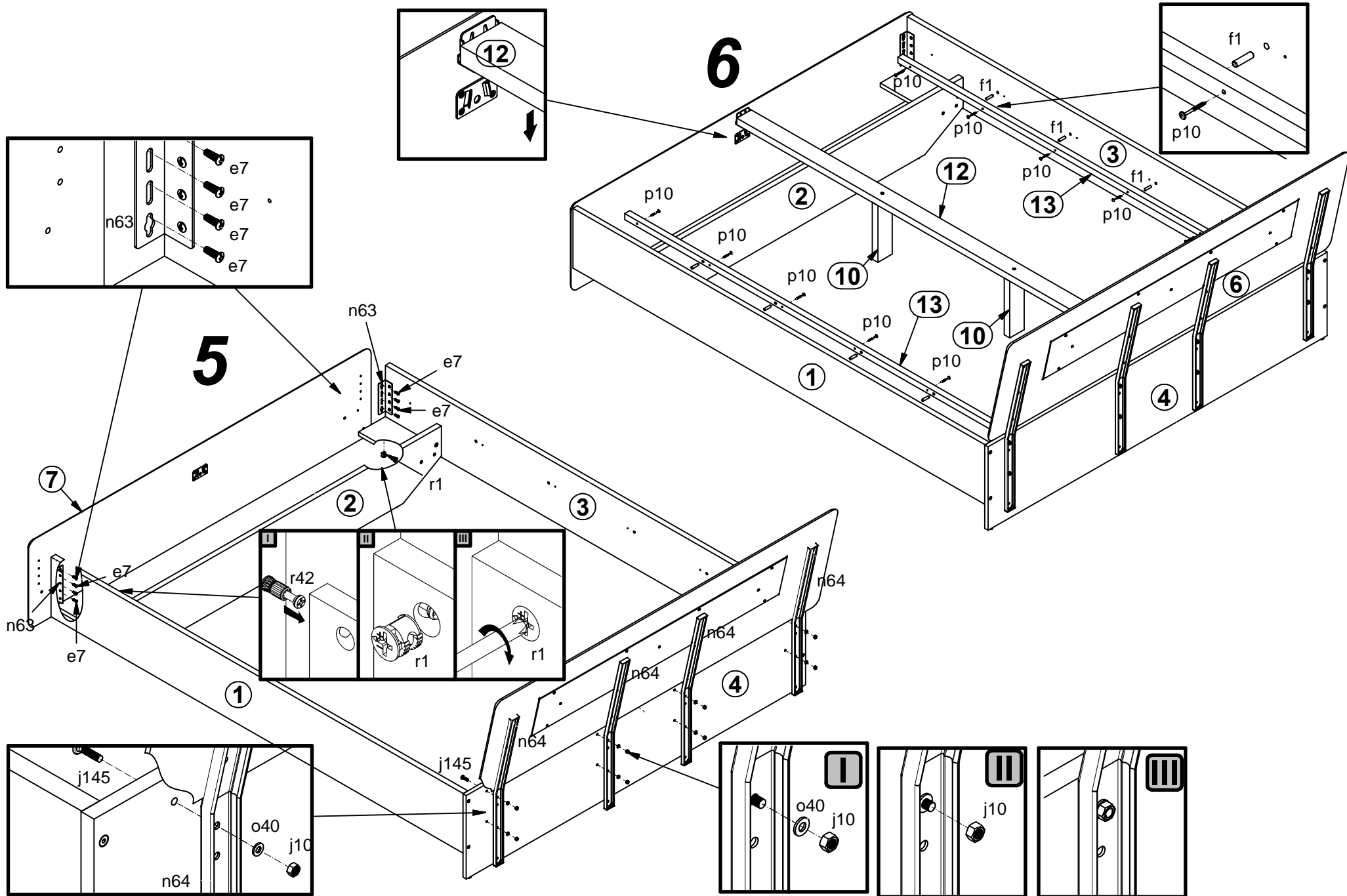
4x Ø7x50 mm e1	6x Ø6,3x13 mm e2	8x Ø6x13 mm e3	16x Ø6,3x16 mm e7	2x Ø7x60 mm e8	4x Ø6,3x20 mm e17	18x Ø8x30 mm f1	8x M6 j10	8x Ø6x25 mm j145	4x k1	2x n34l1	2x n34l2	2x 130x34x34/2 mm n63
8x Ø6xØ12x1,4 mm o40	12x Ø4x40 mm p10	6x Ø3,5x25 mm p16	11x Ø3,5x16 mm p38	2x Ø15x12 mm #16 r1	2x Ø15x15 mm #22 r3	4x r42	4x Ø6x54 mm r5l2	4x Ø10x16 mm r43	4x Ø13xØ7/6 mm o81	6x Ø4x35 mm p6	1x z1	

1









7

