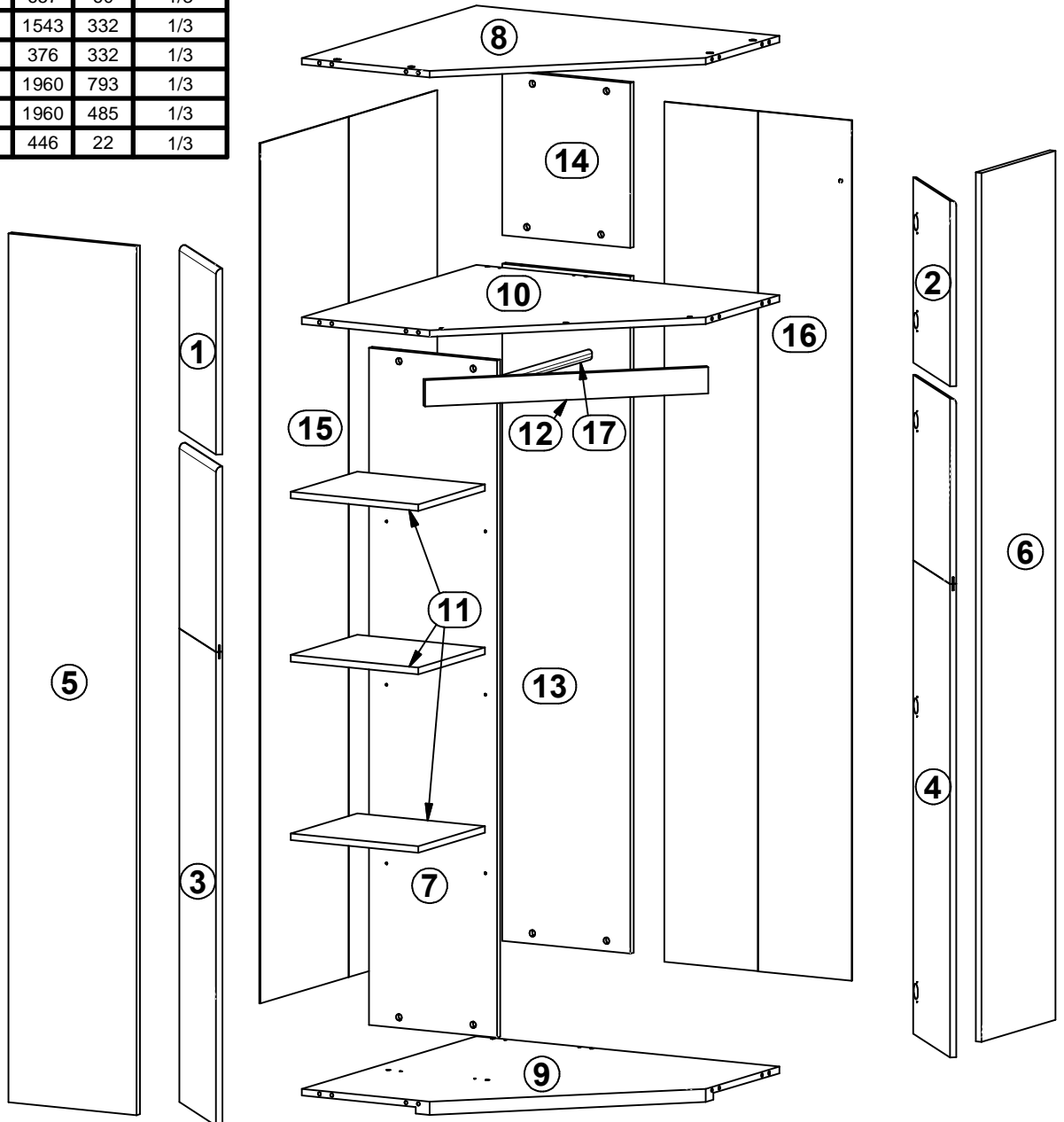
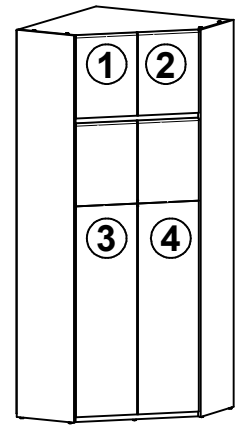
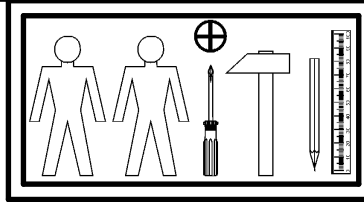


# A

# ACADEMICA

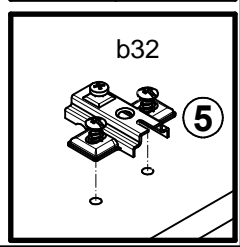
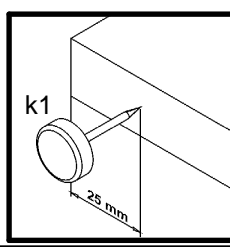
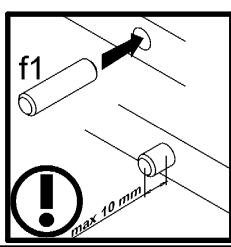
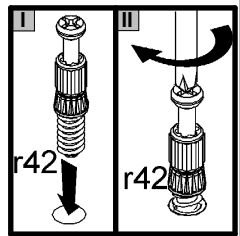
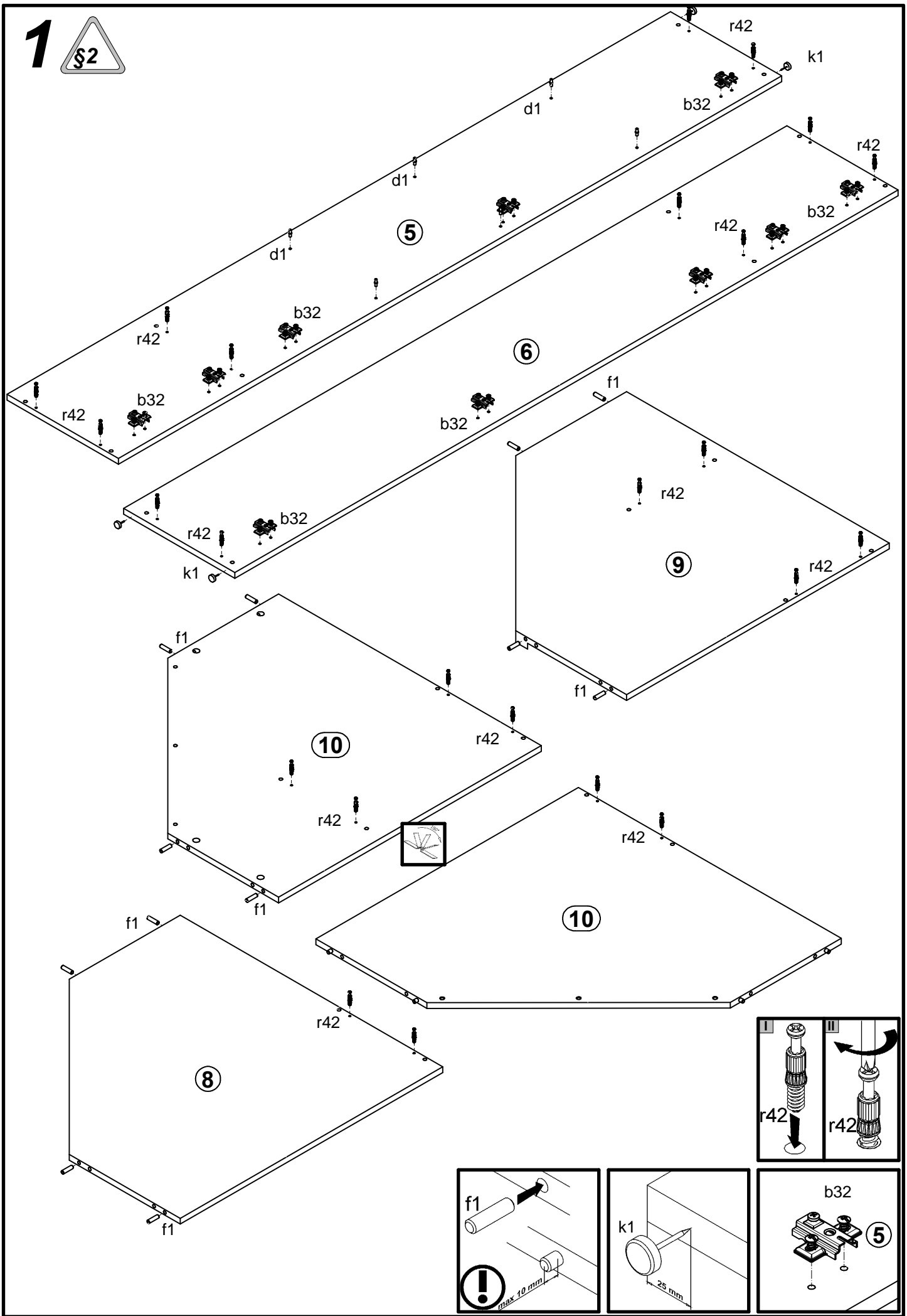
# S324-SZFN2D

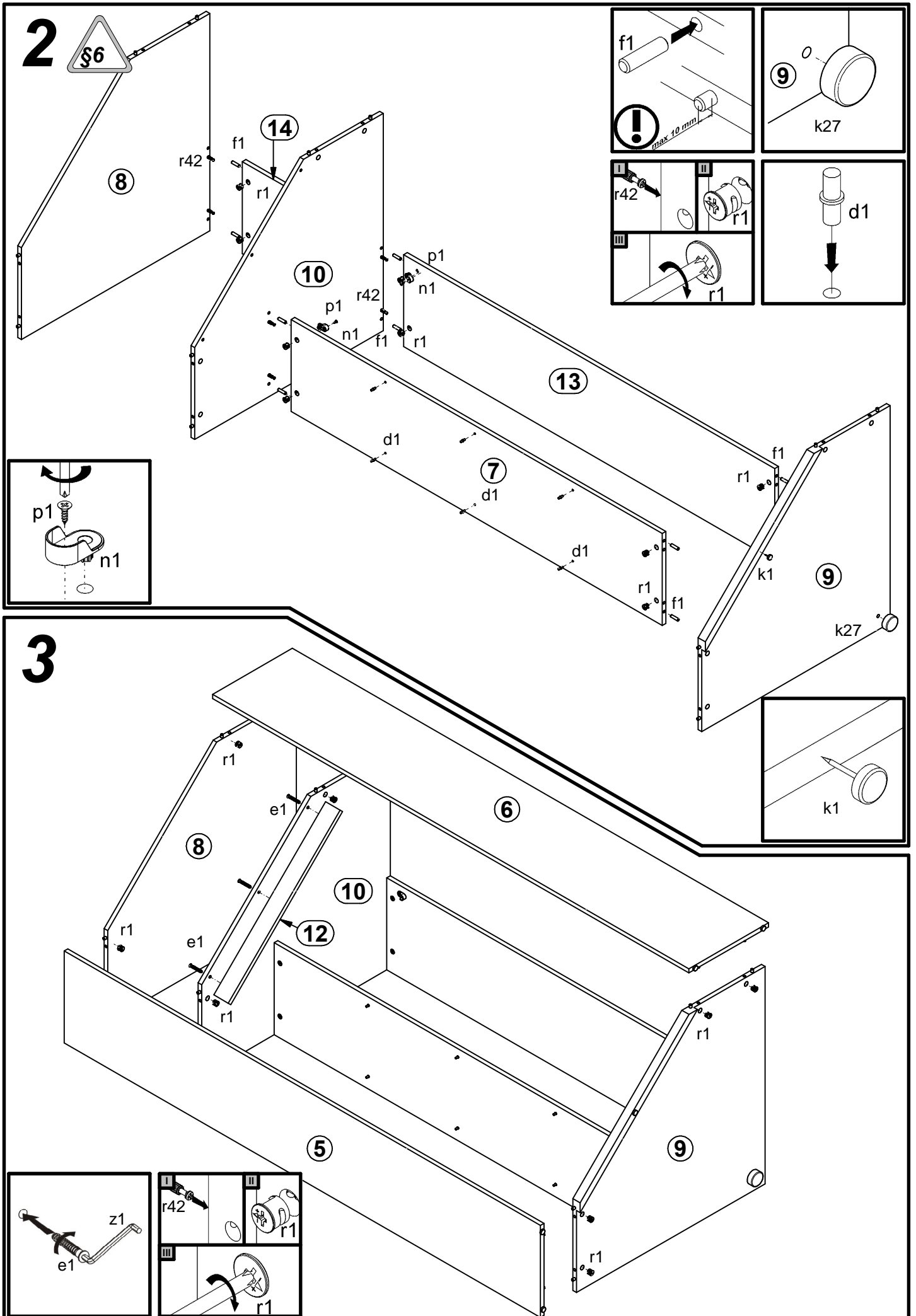
A	B	C	D	
1	S324-009	318	423	3/3
2	S324-010	318	423	3/3
3	S324-011	318	1501	3/3
4	S324-012	318	1501	3/3
5	S324-114	1980	332	1/3
6	S324-115	1980	332	1/3
7	S324-116	1543	332	1/3
8	S324-312	784	784	2/3
9	S324-313	784	784	2/3
10	S324-314	784	784	2/3
11	S324-315	300	330	2/3
12	S324-407	657	60	1/3
13	S324-408	1543	332	1/3
14	S324-409	376	332	1/3
15	S324-901	1960	793	1/3
16	S324-913	1960	485	1/3
17	dr-446	446	22	1/3



10x a94	10x b32	12x d1 Ø5x17 mm	3x e1 Ø7x50 mm	24x f1 Ø8x30 mm	5x k1	1x k27	100x l1	2x n1 h=22mm
4x o21 silikon	2x p1 Ø3.5x13 mm	12x p38 Ø3.5x16 mm	20x p51 Ø3.5x15 mm	24x r1 Ø15x12 mm #16	24x r42 20/11	3x s1	14x s2 Ø16	2x s62
1x z1								

# 1





2

S6

8

14

10

13

7

9

3

6

8

10

12

5

9

z1

e1

r42

r1

r1

f1

9

k27

max 10 mm

r42

r1

d1

r1

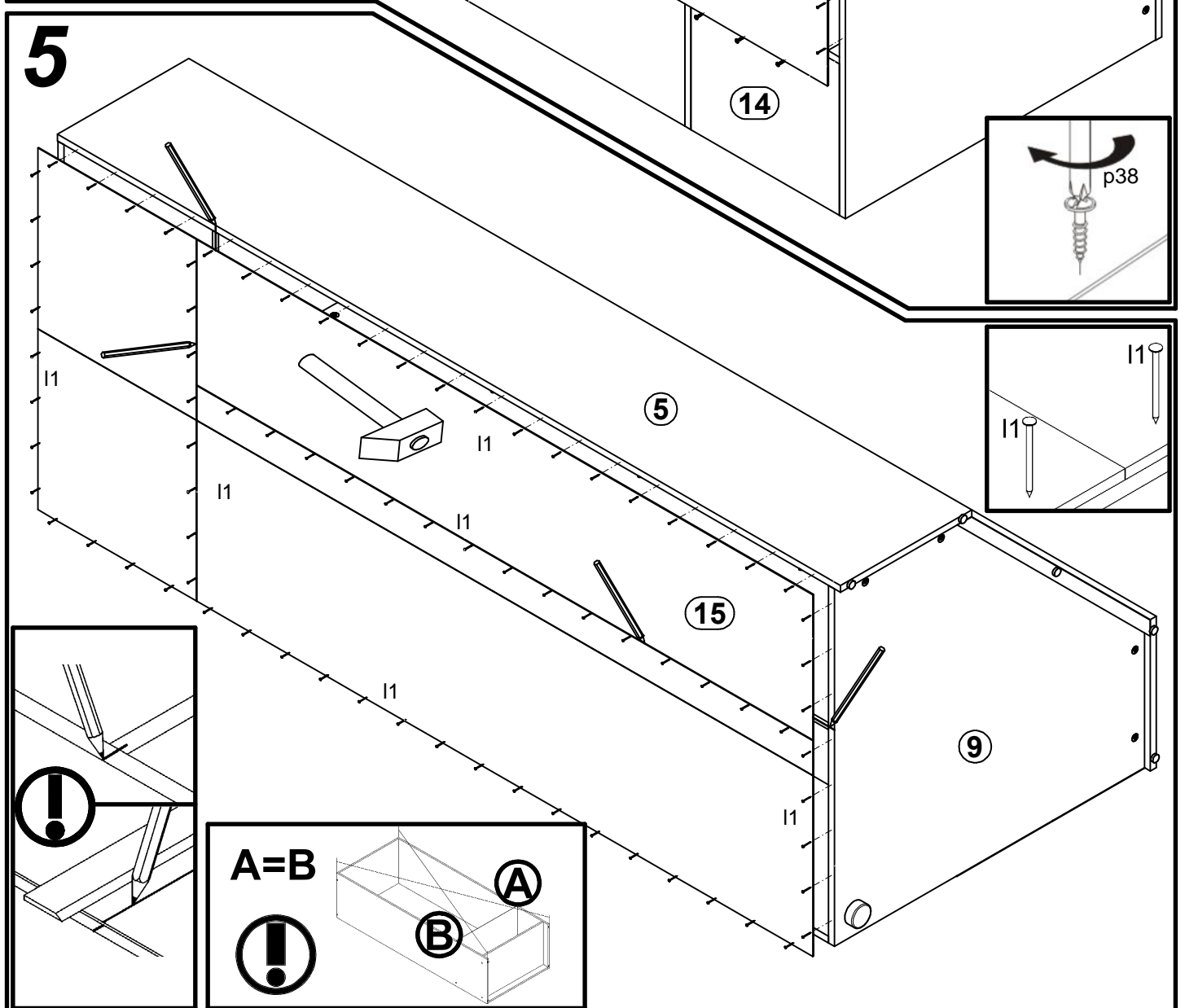
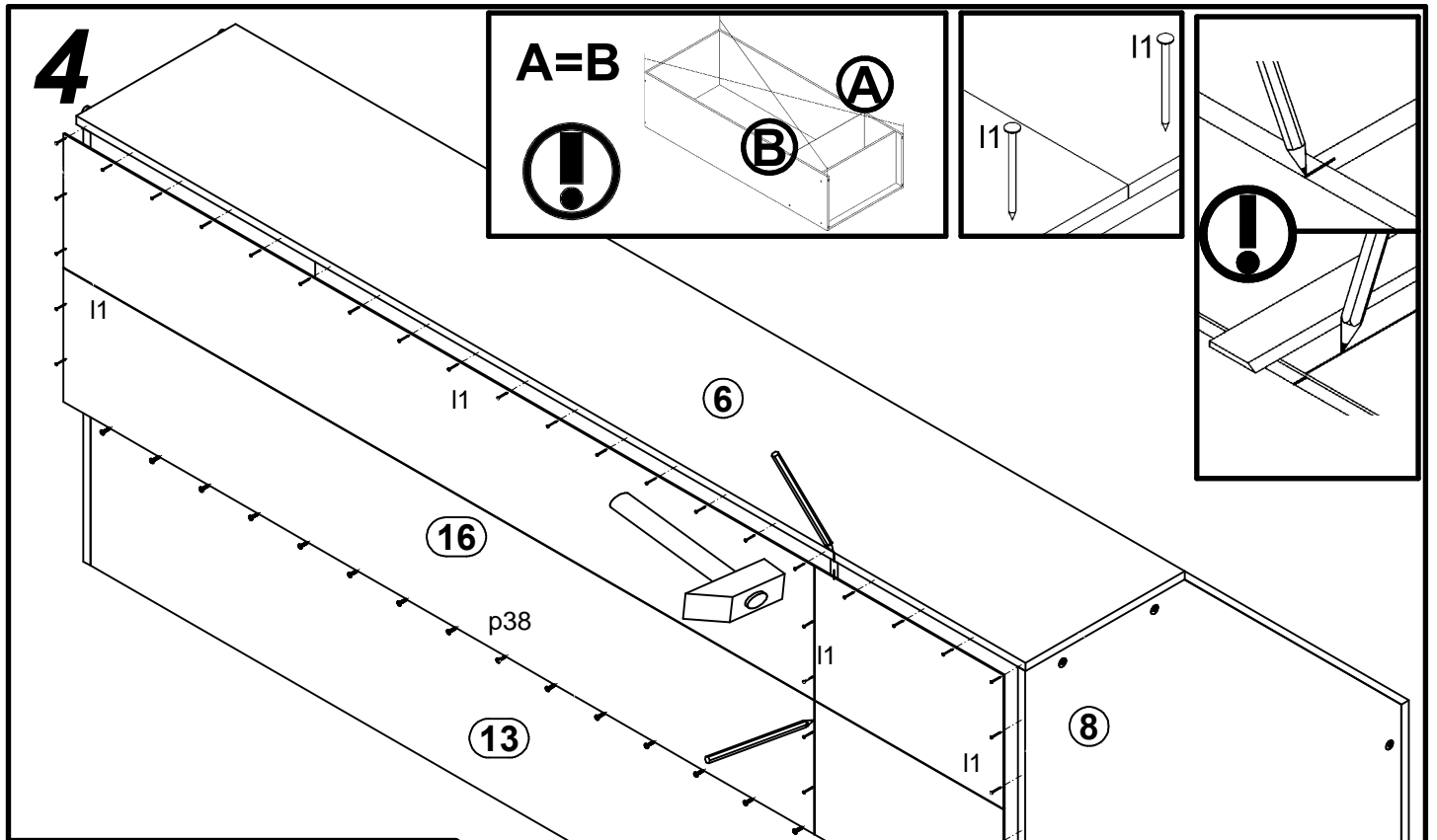
p1

n1

k1

k1

k27



# 6

