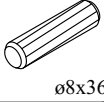
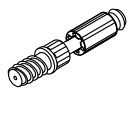
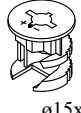

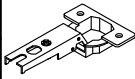
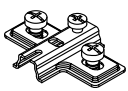

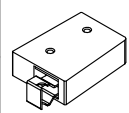
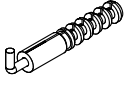
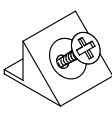




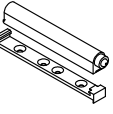
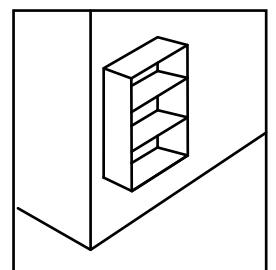
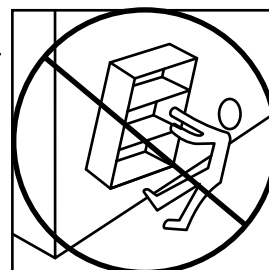
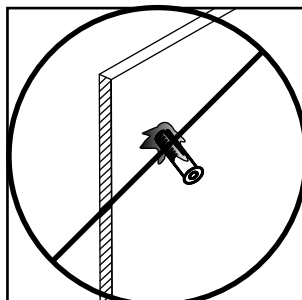
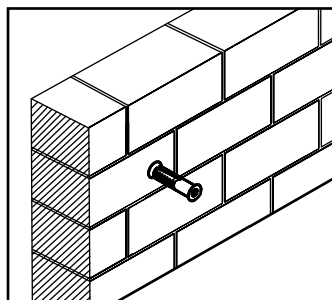
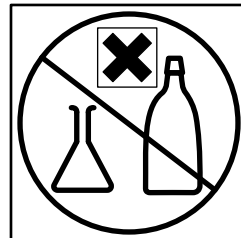
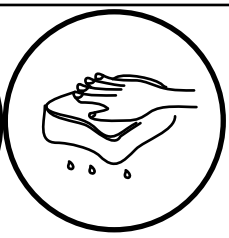
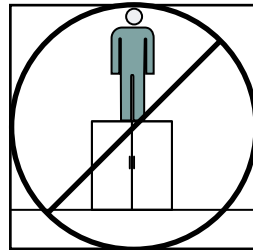
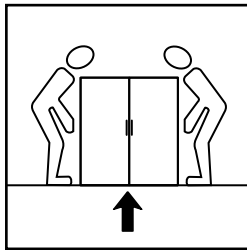
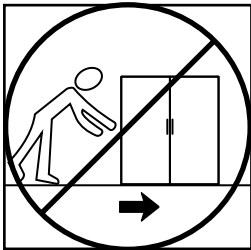
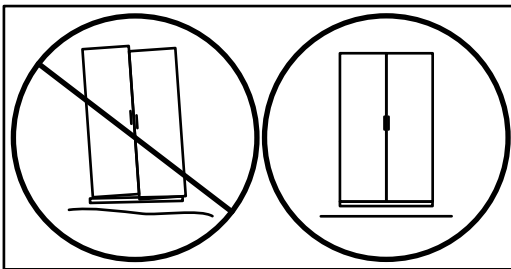
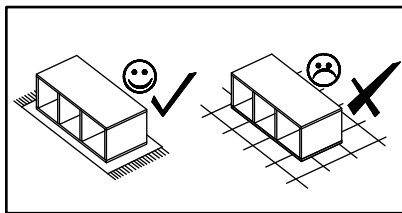
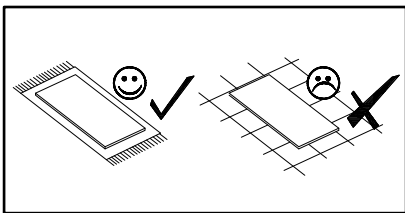
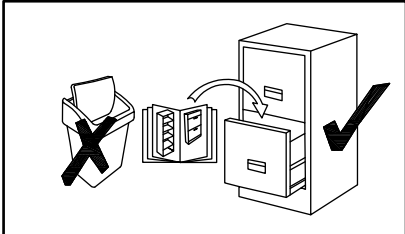
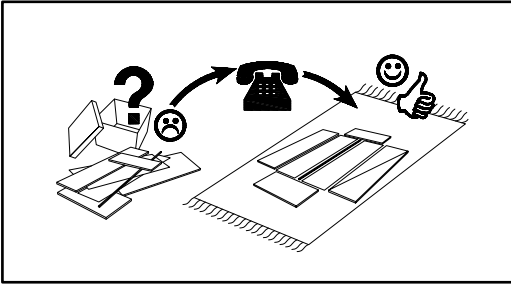
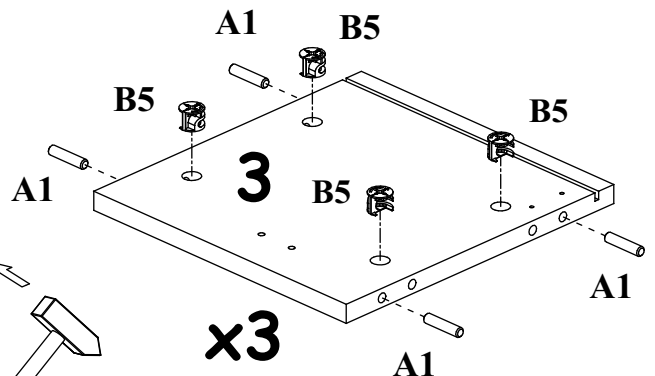
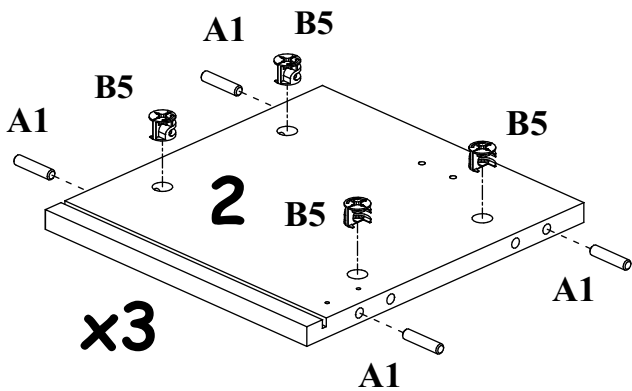
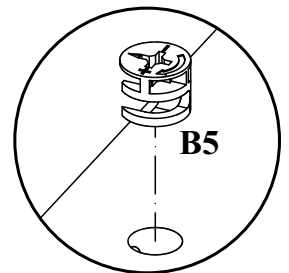
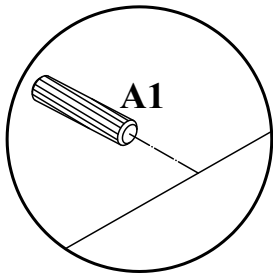
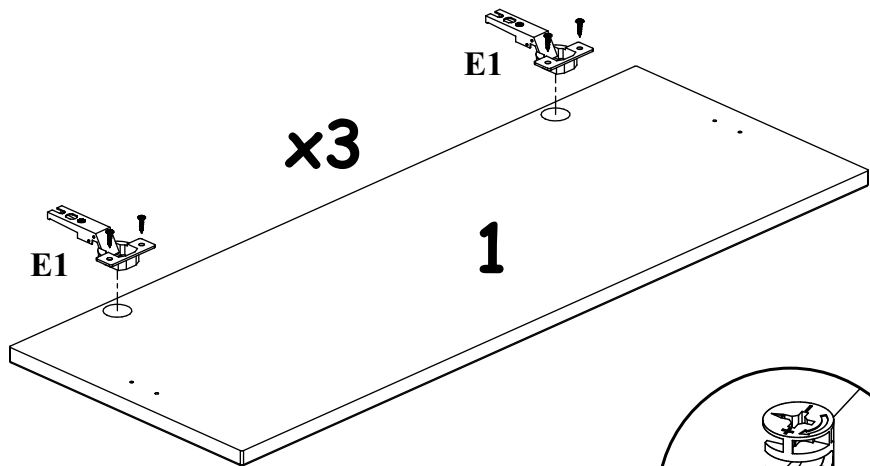
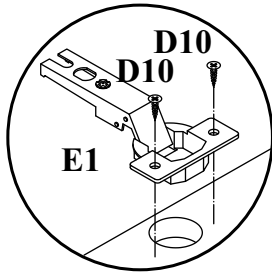
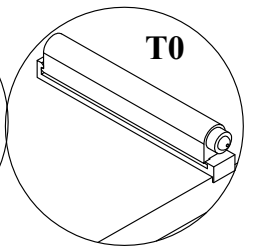
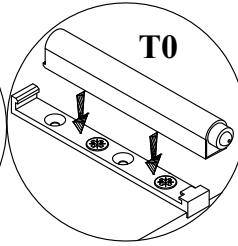
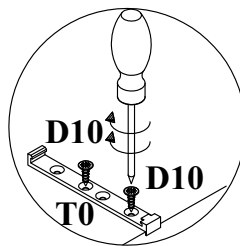
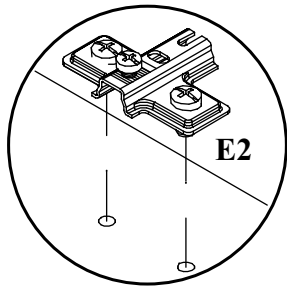
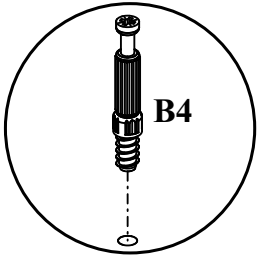
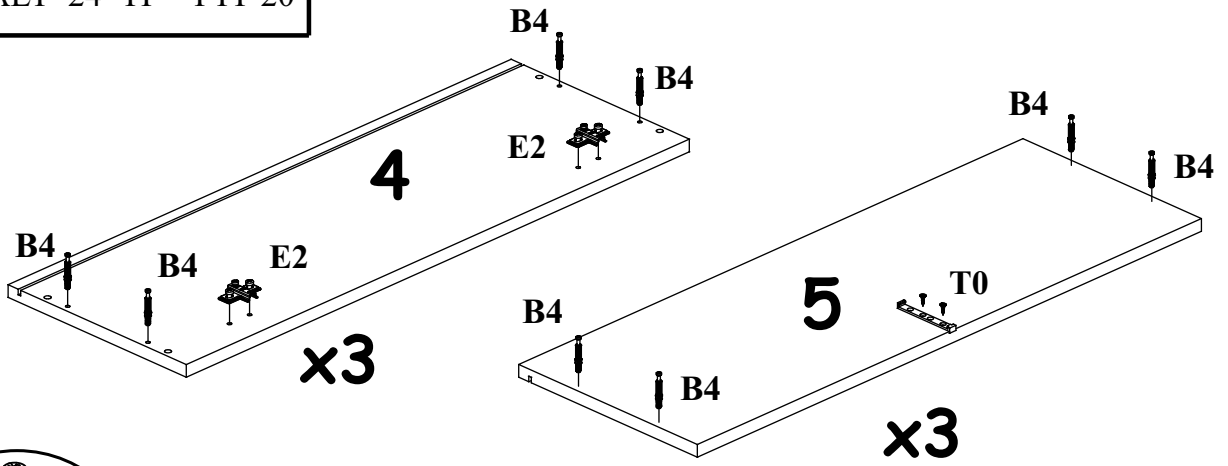


120 min

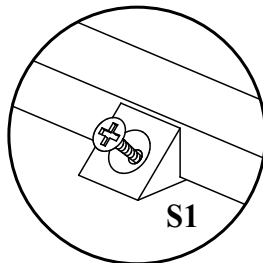
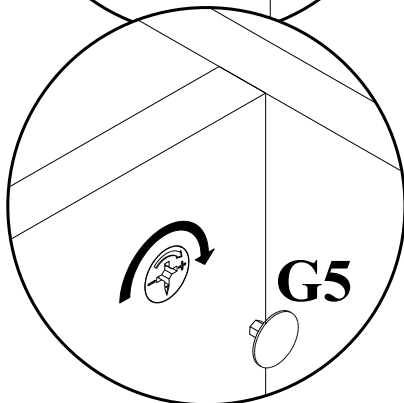
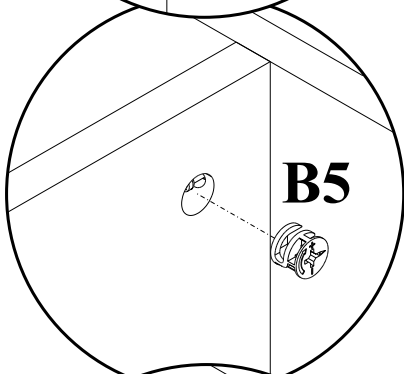
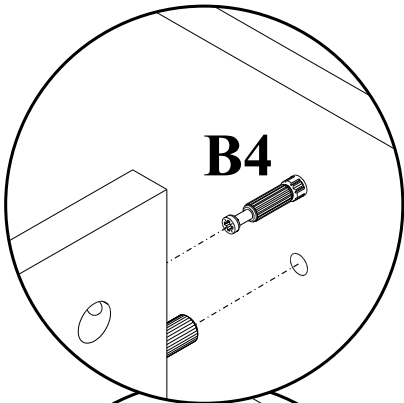
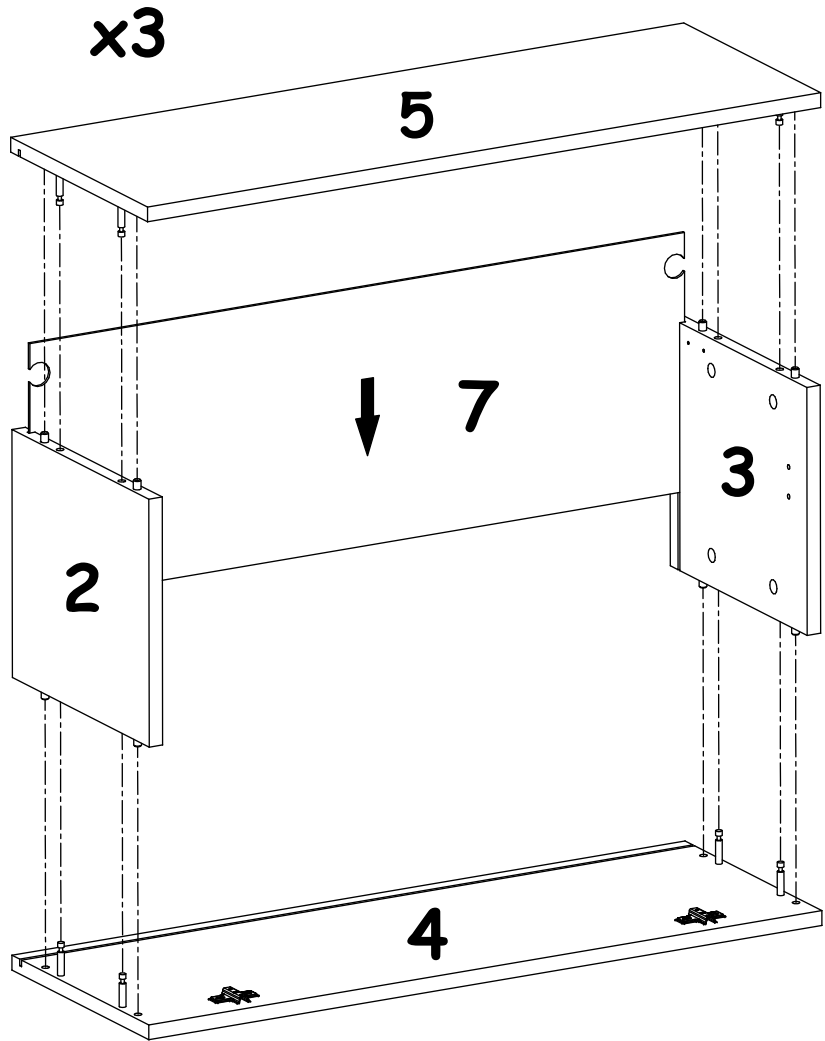
A1 X24  ø8x36	B4 X24 	B5 X24  ø15x12	G5 X24 	E1 X6  H=0	E2 X6  H=0
G21 X6 	ZR1 X6 	KR2 X6 	S1 X18 	D7 X18  USØ3x16	D6 X12  USØ3,5x30
D10 X30  USØ3,5x13	G2 X1 	T0 X3 			



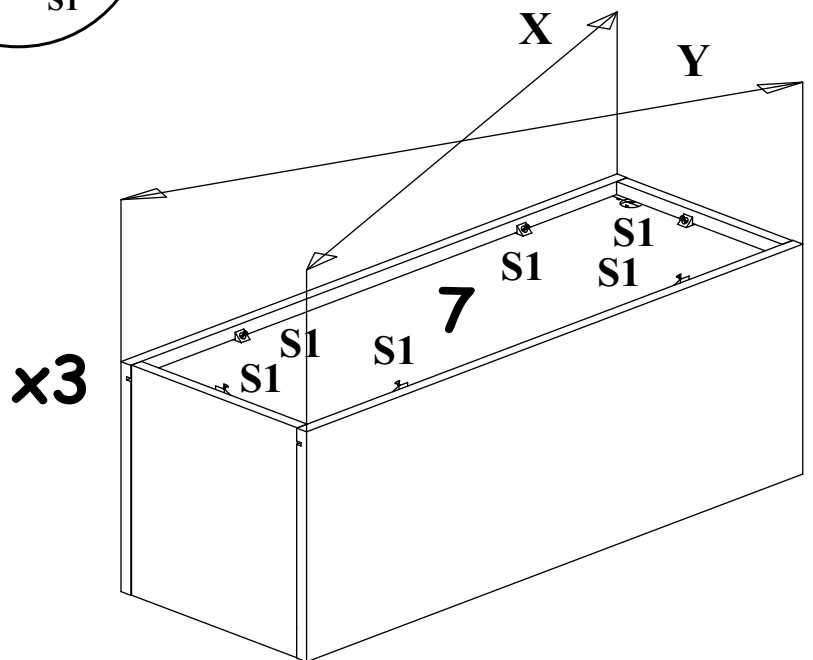
1



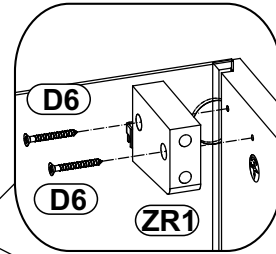
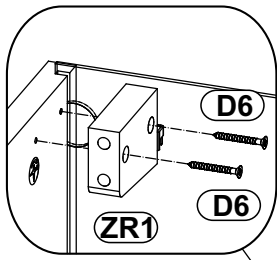
2



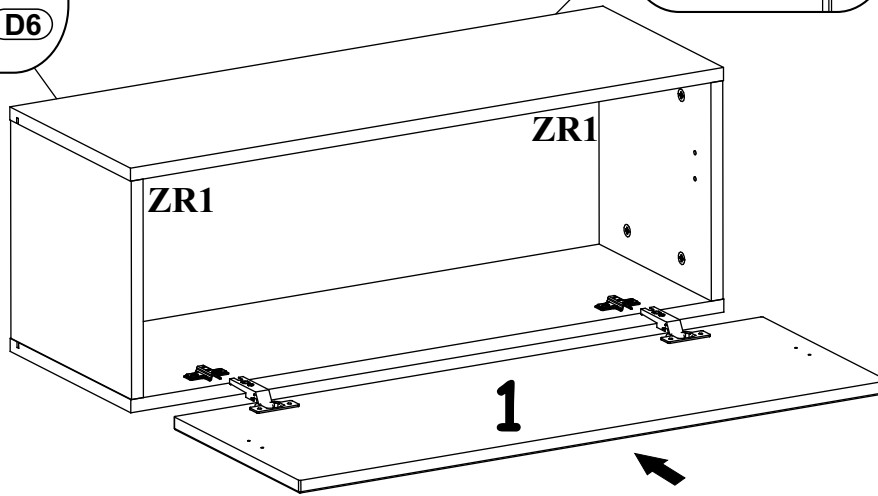
$X=Y$   $90^\circ$



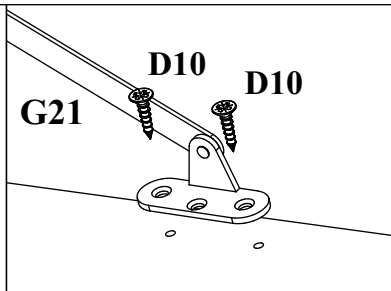
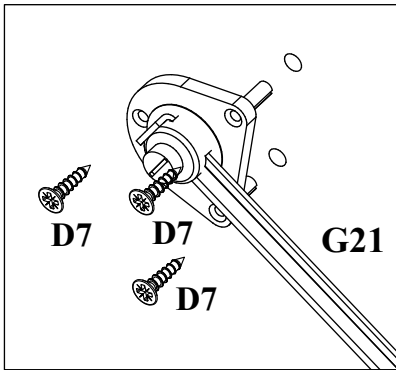
3



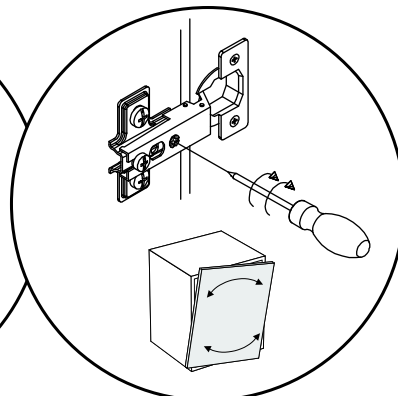
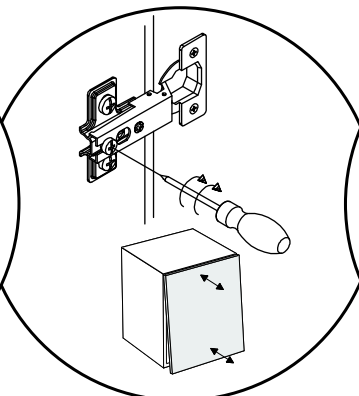
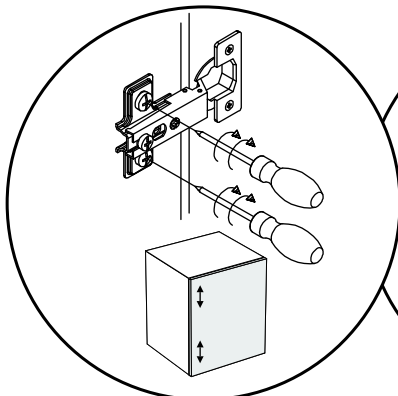
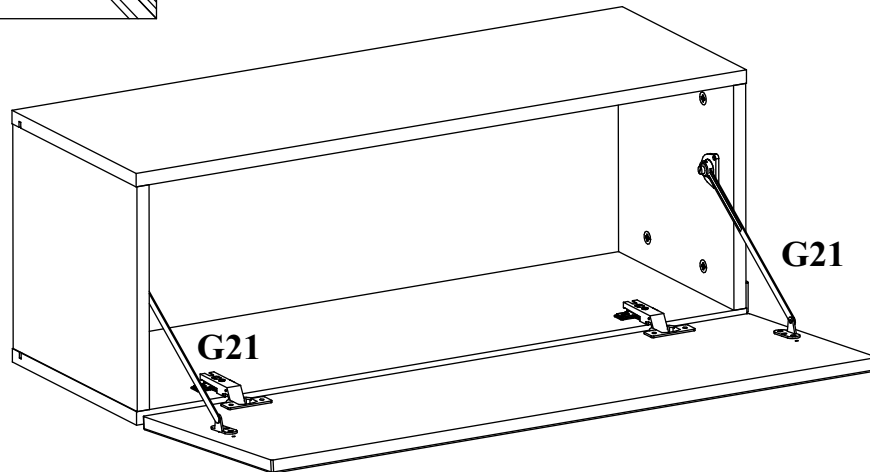
x3



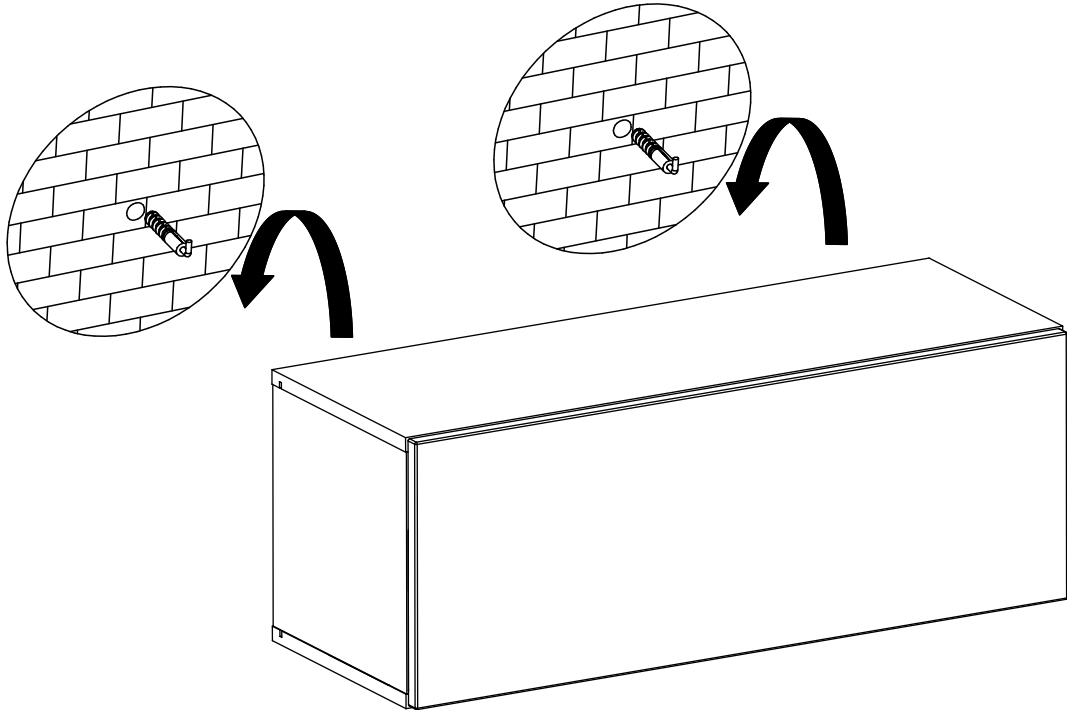
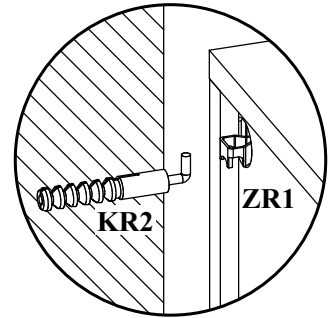
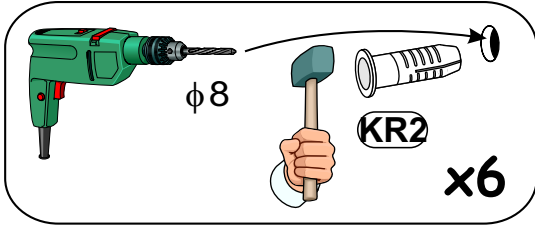
4



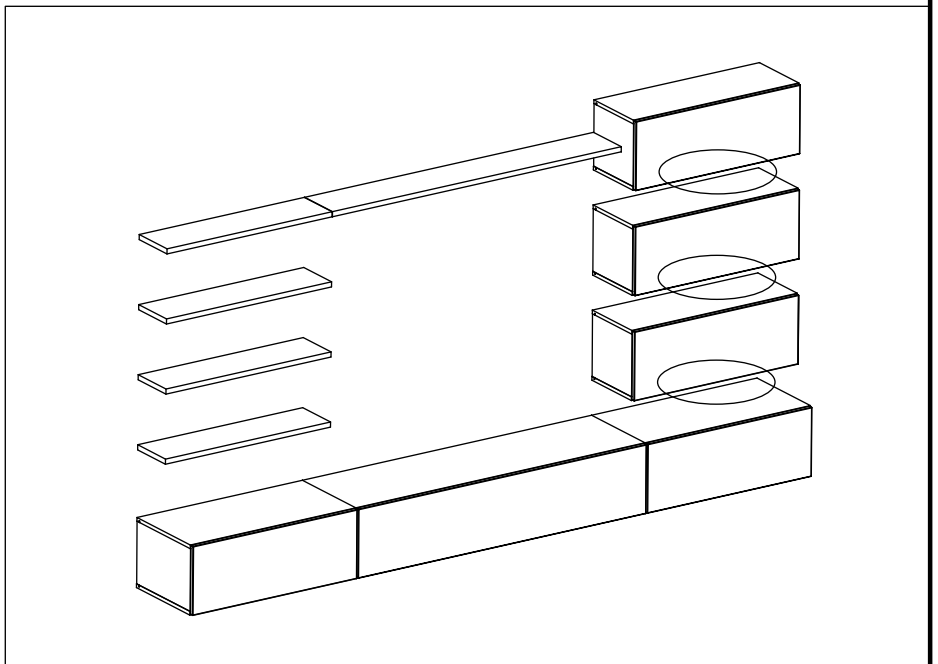
x3

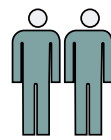
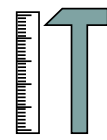
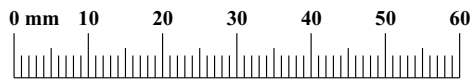
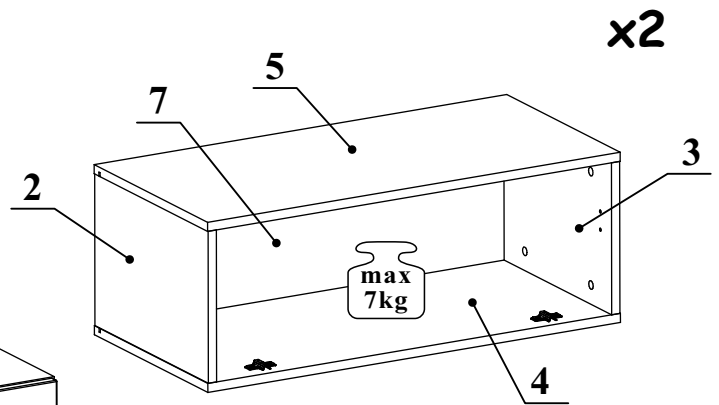
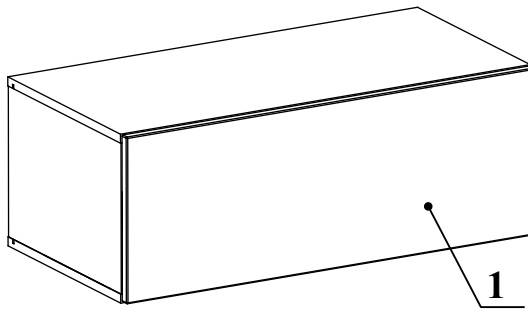
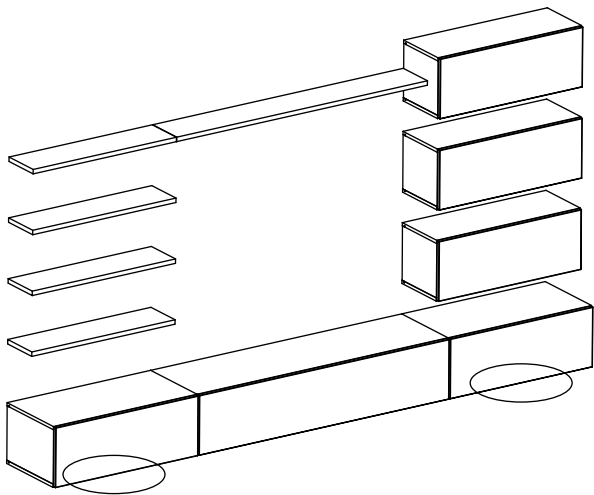


5

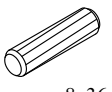
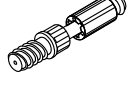
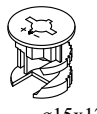

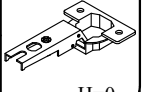

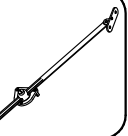
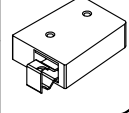
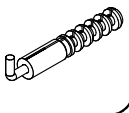
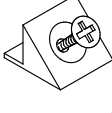



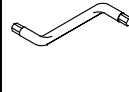
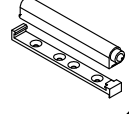


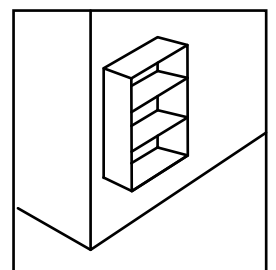
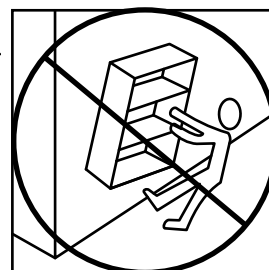
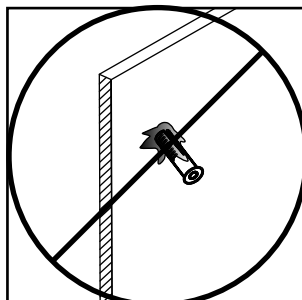
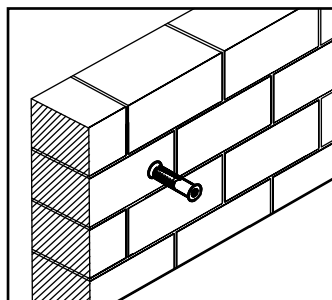
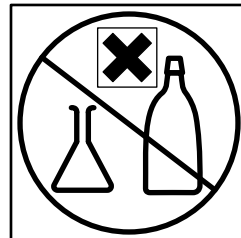
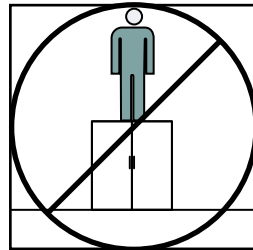
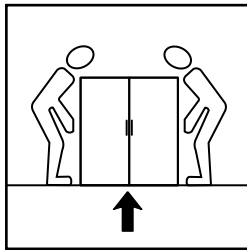
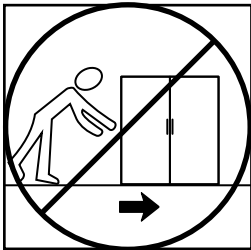
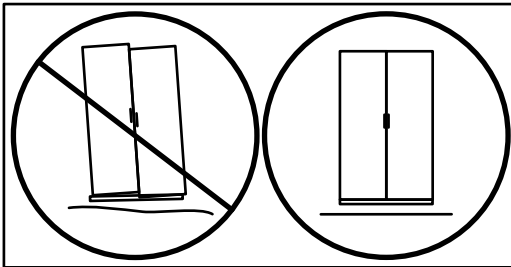
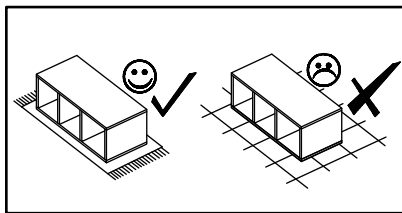
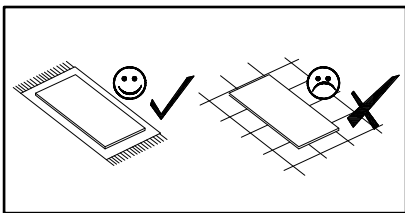
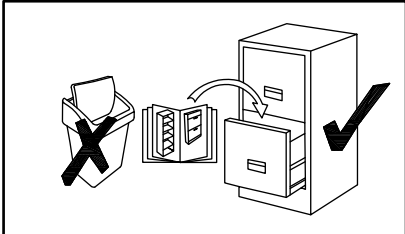
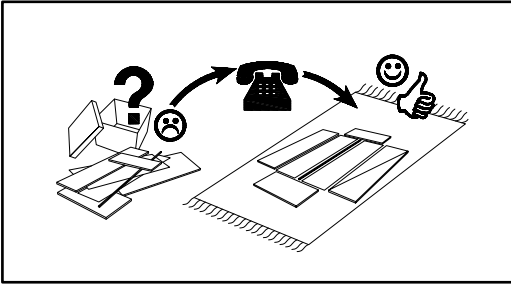
**x3**





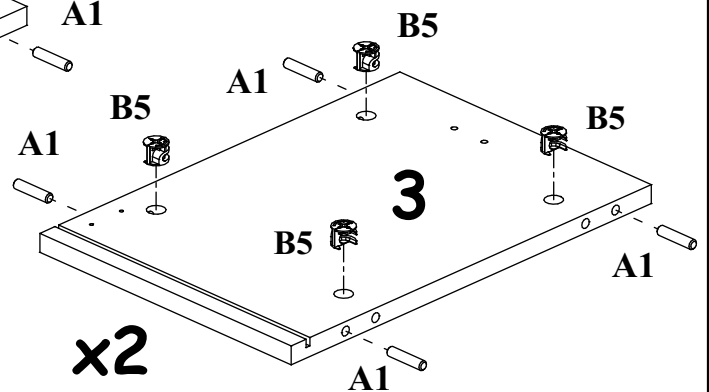
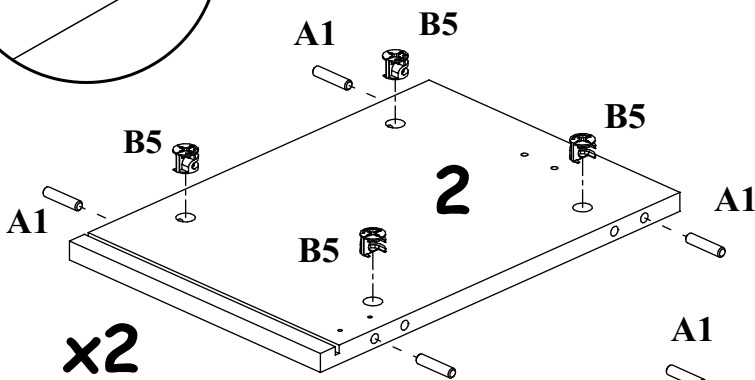
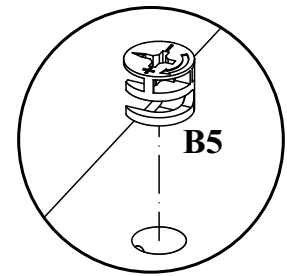
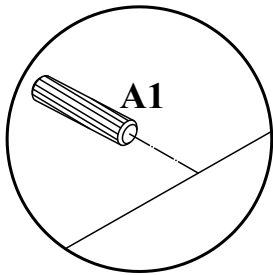
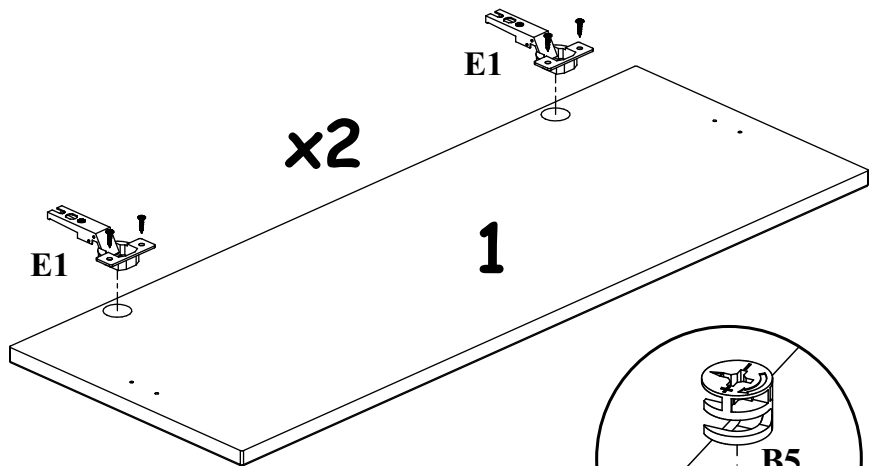
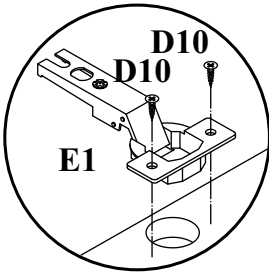
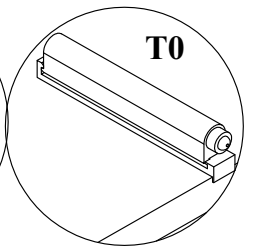
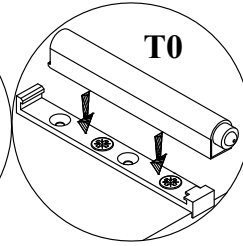
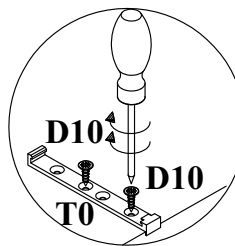
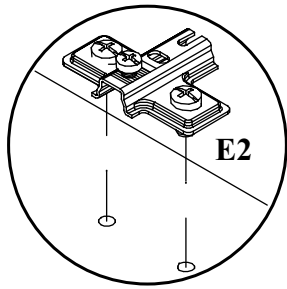
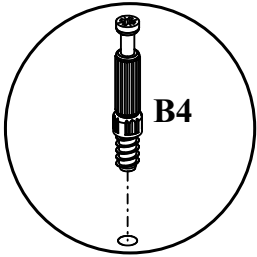
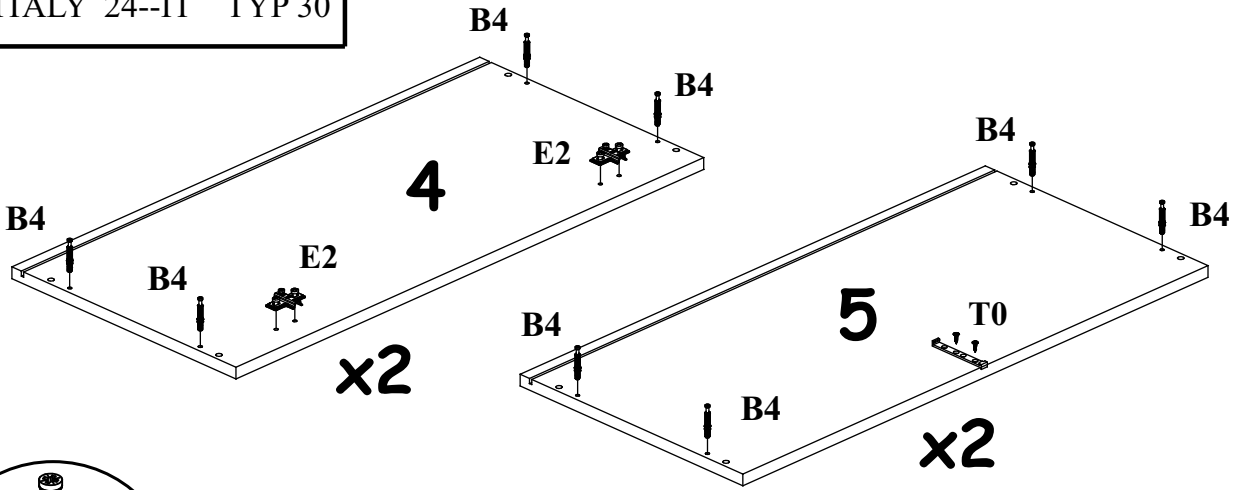
60 min

A1 X16  ø8x36	B4 X16 	B5 X16  ø15x12	G5 X16 	E1 X4  H=0	E2 X4  H=0
G21 X4 	ZR1 X4 	KR2 X4 	S1 X12 	D7 X12  USØ3x16	D6 X8  USØ3,5x30
D10 X20  USØ3,5x13	G2 X1 	T0 X2 			



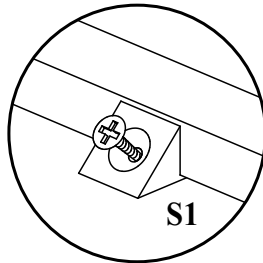
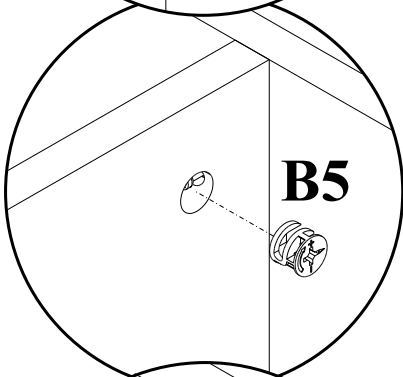
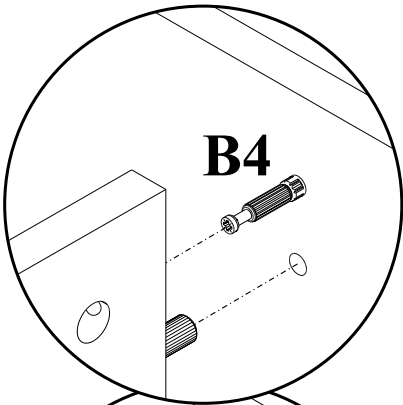
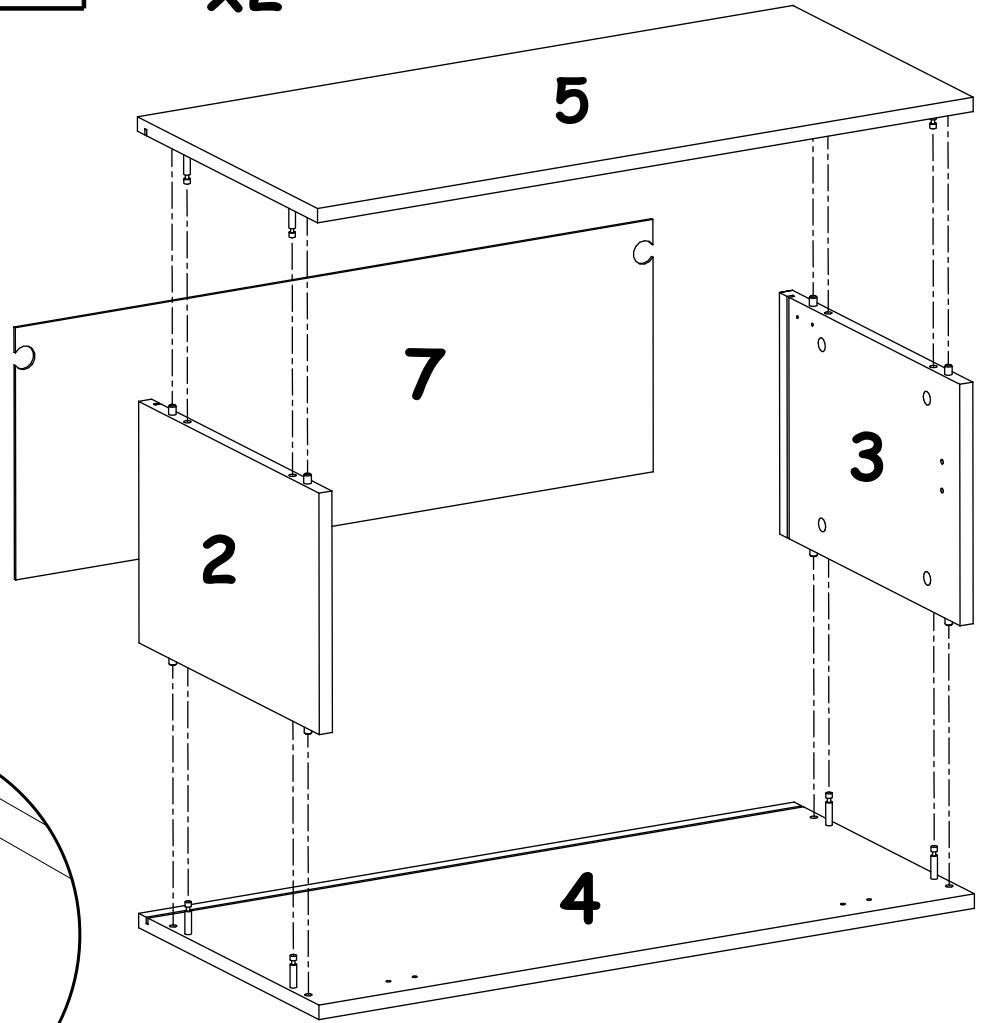


1

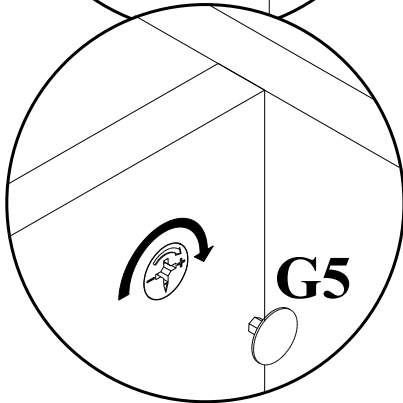


2

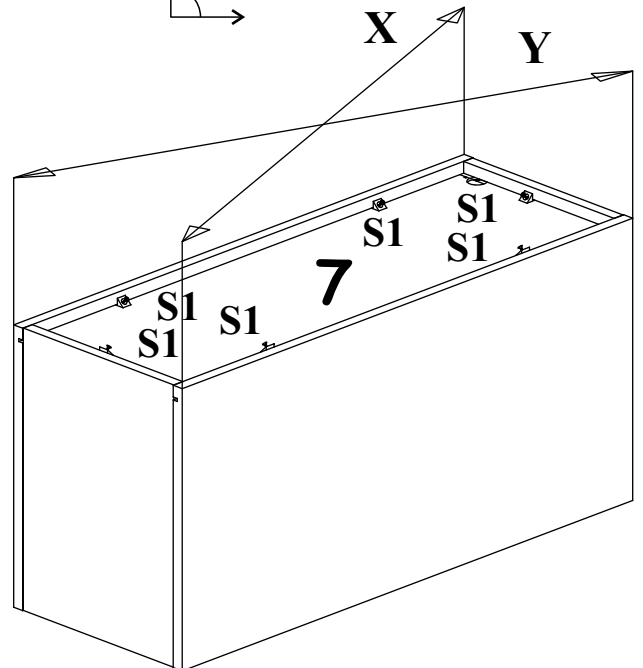
x2



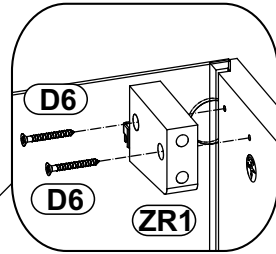
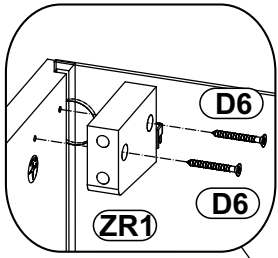
X=Y 90°



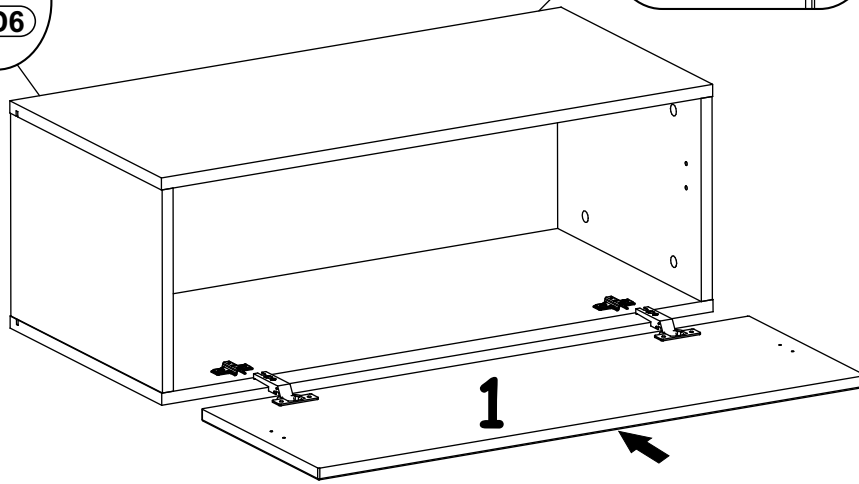
x2



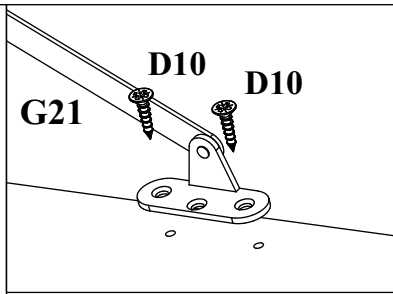
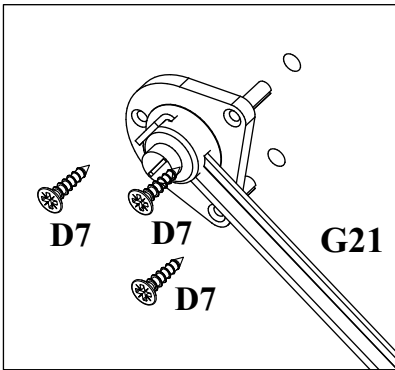
3



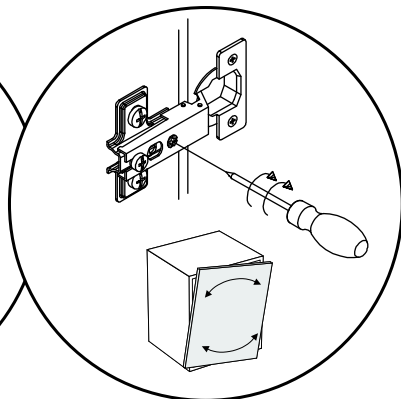
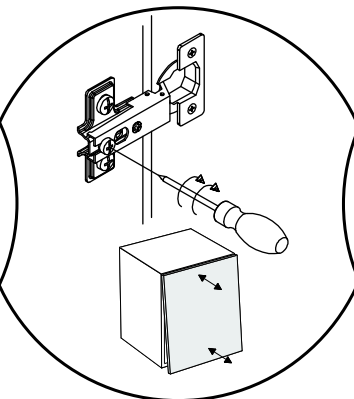
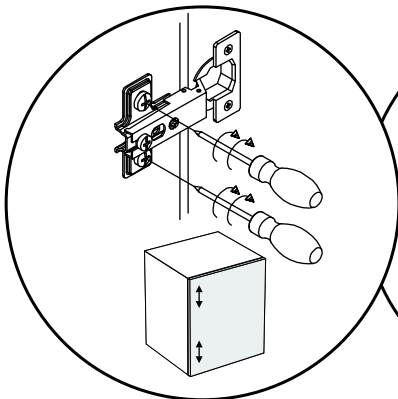
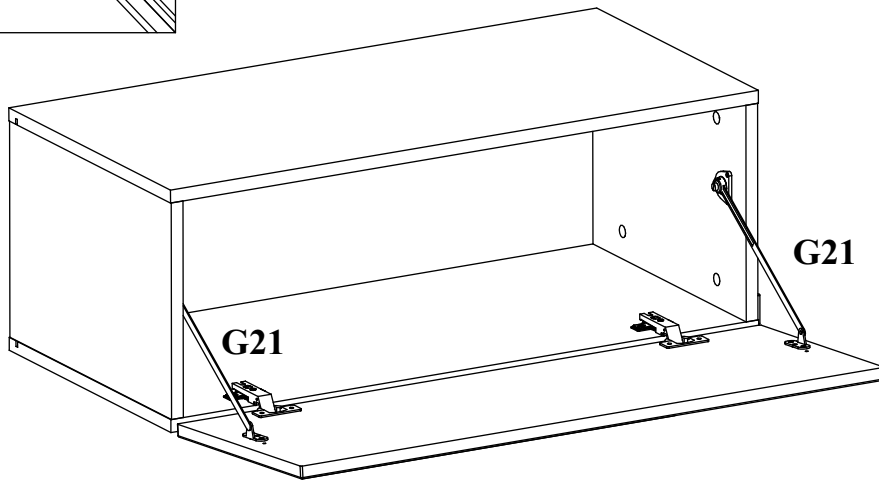
x2



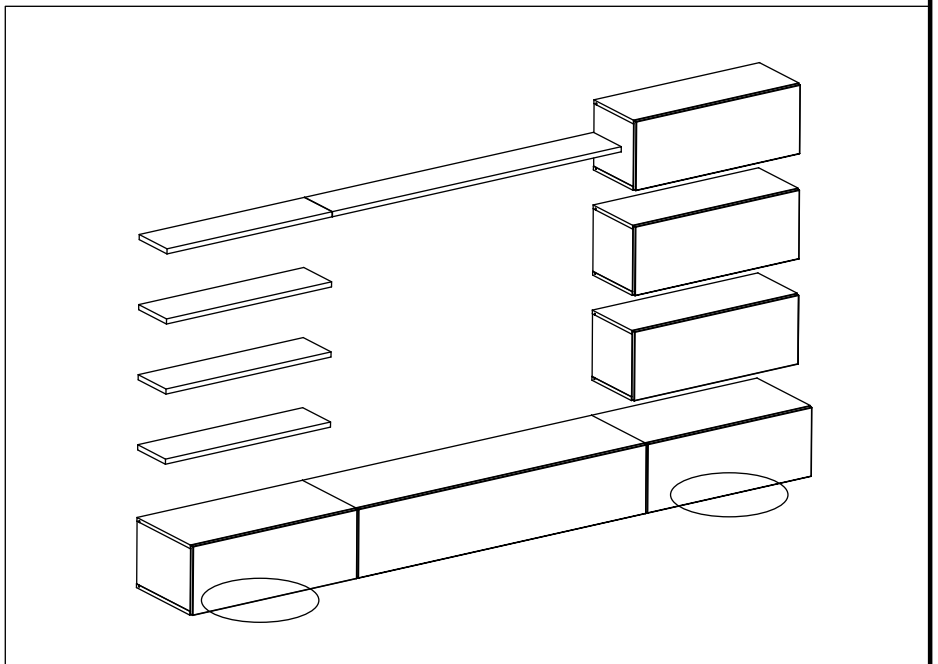
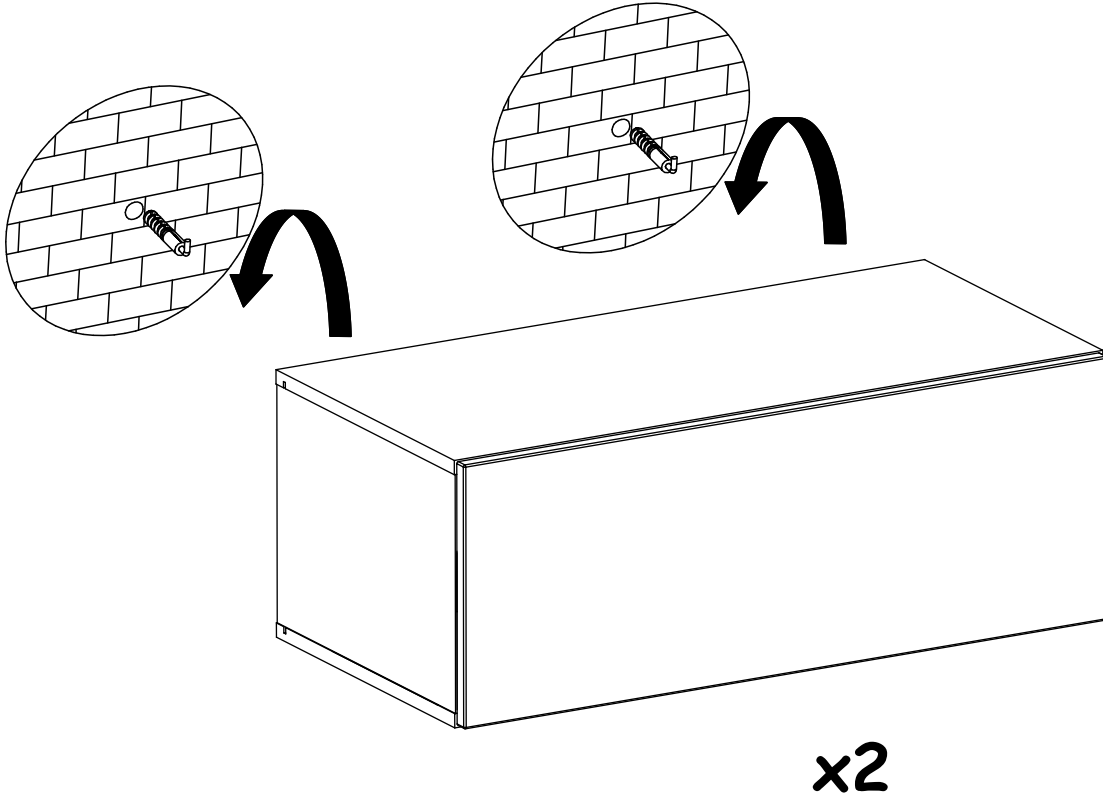
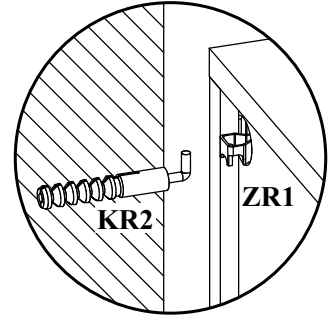
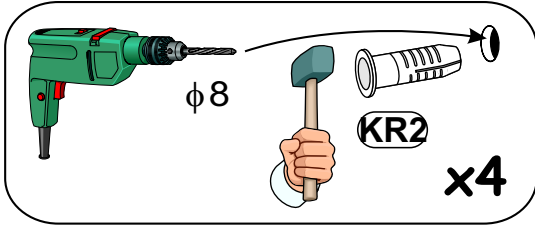
4

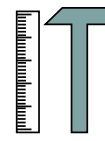
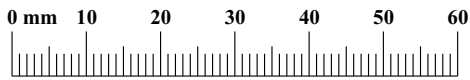
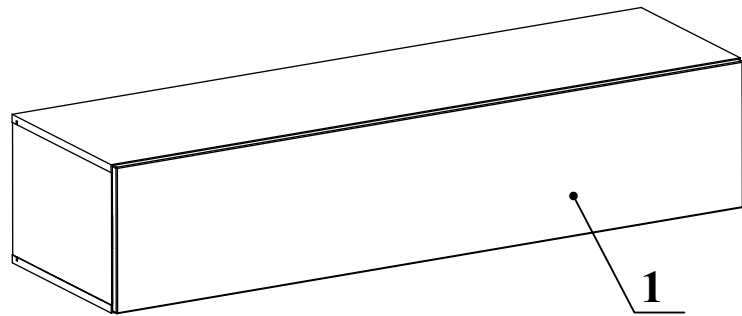
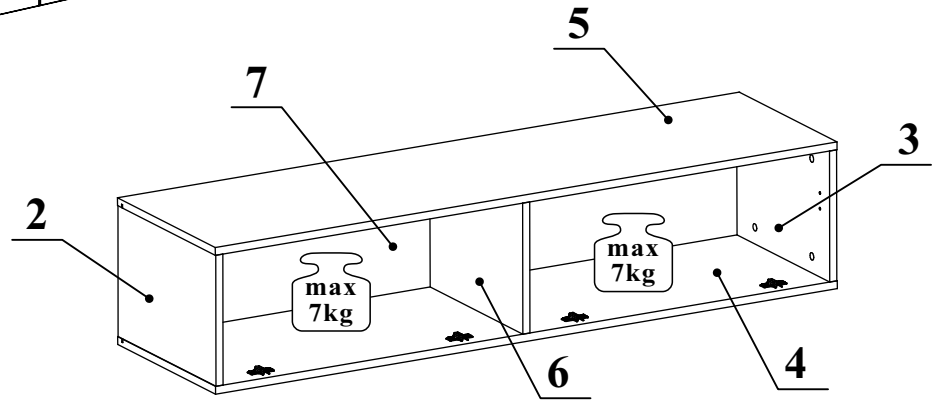
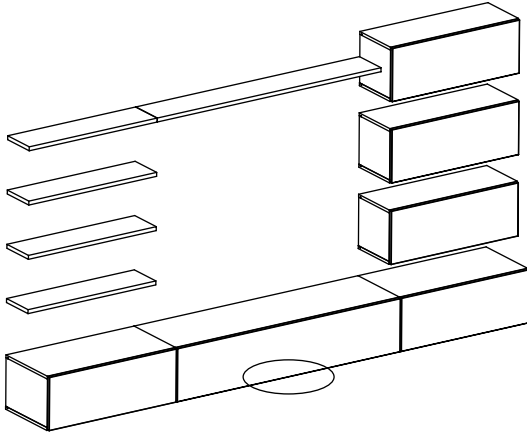


x2

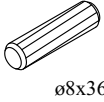
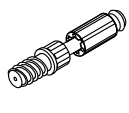
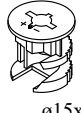

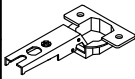
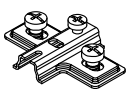

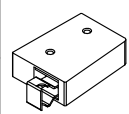

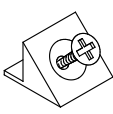




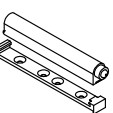


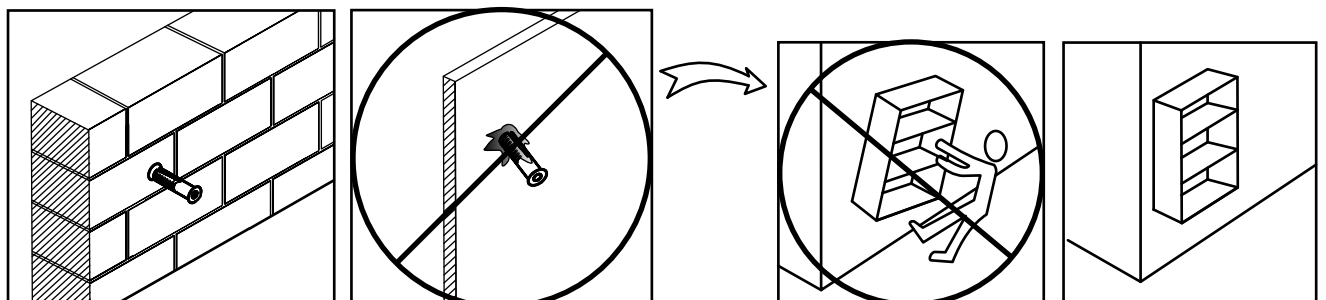
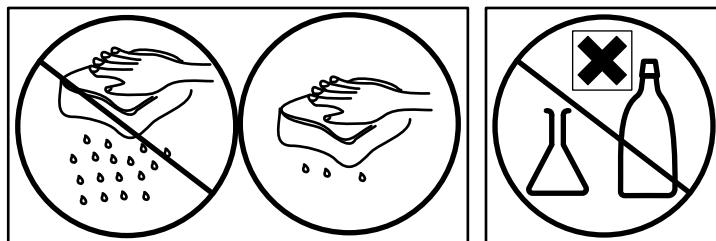
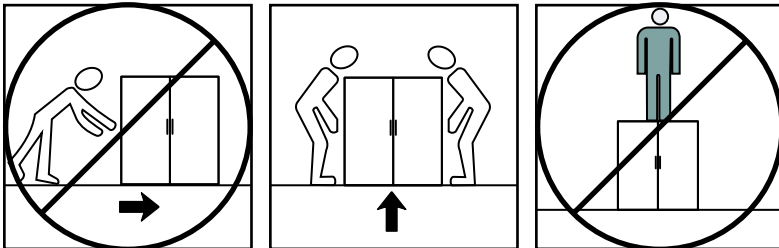
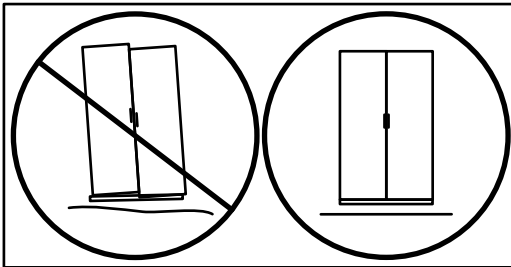
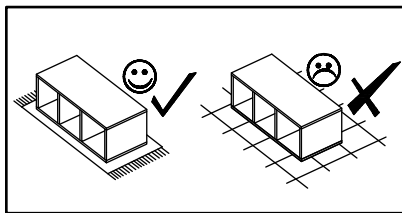
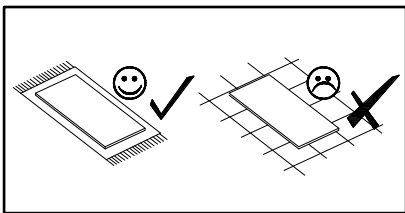
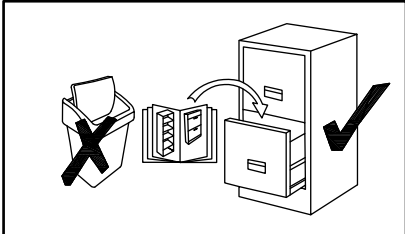
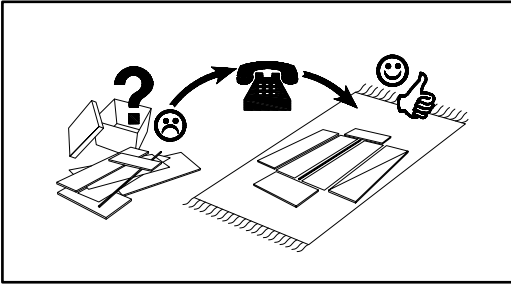
5



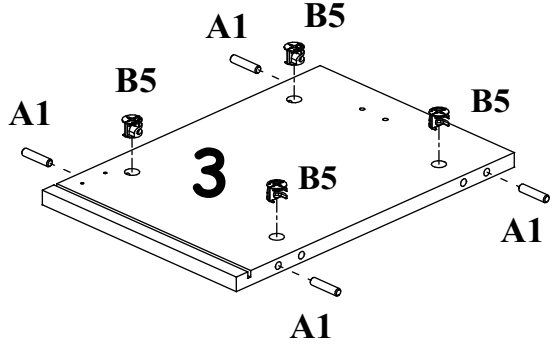
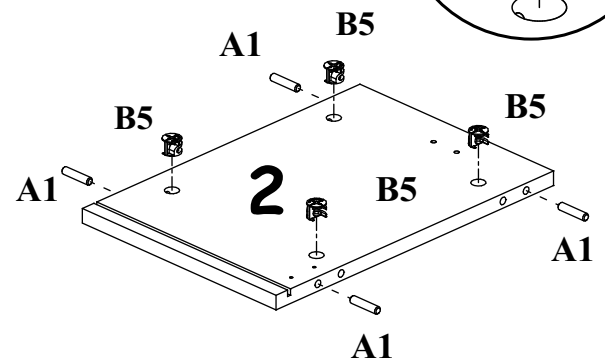
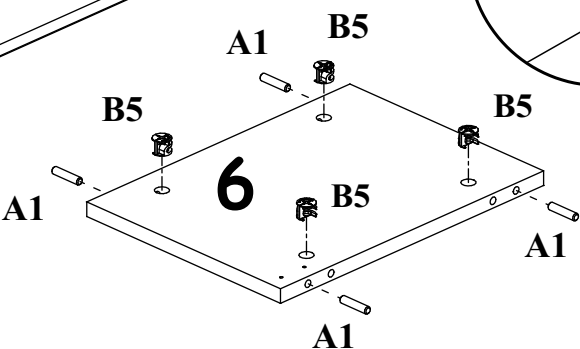
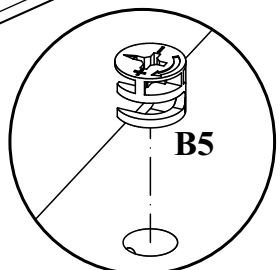
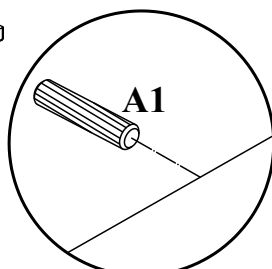
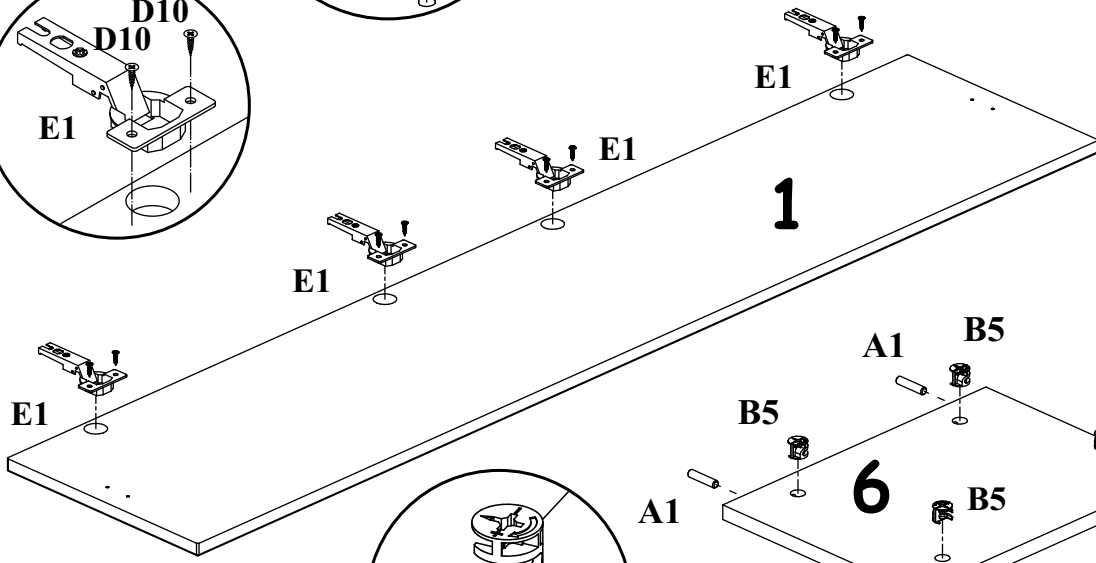
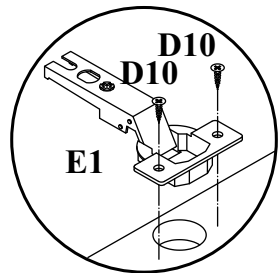
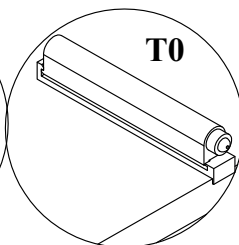
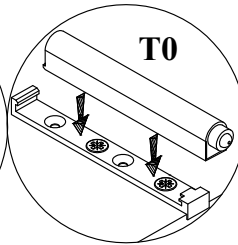
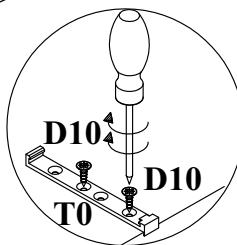
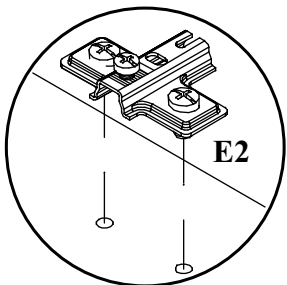
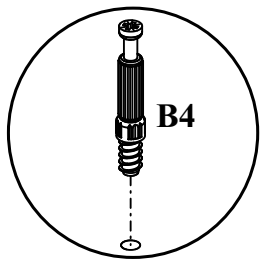
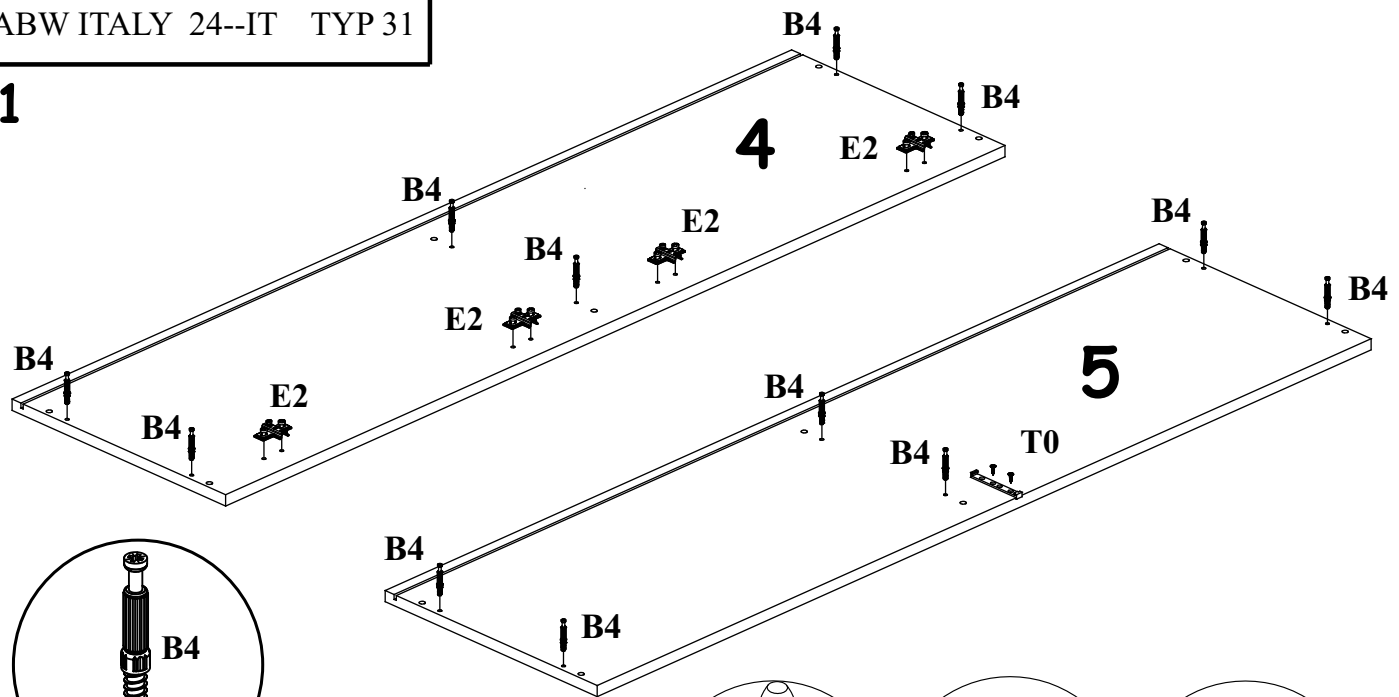


40 min

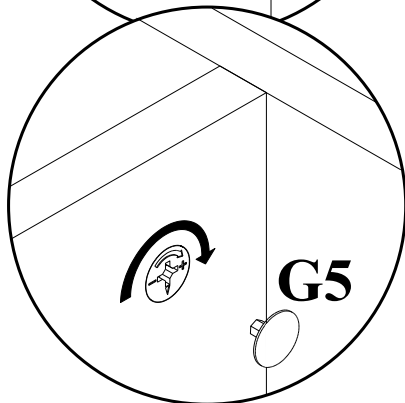
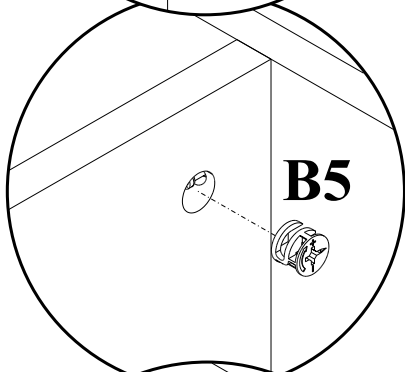
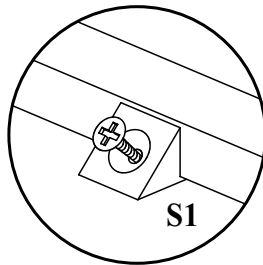
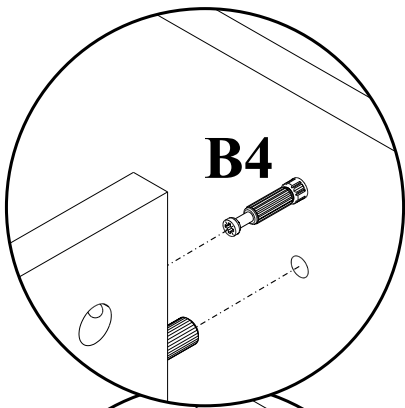
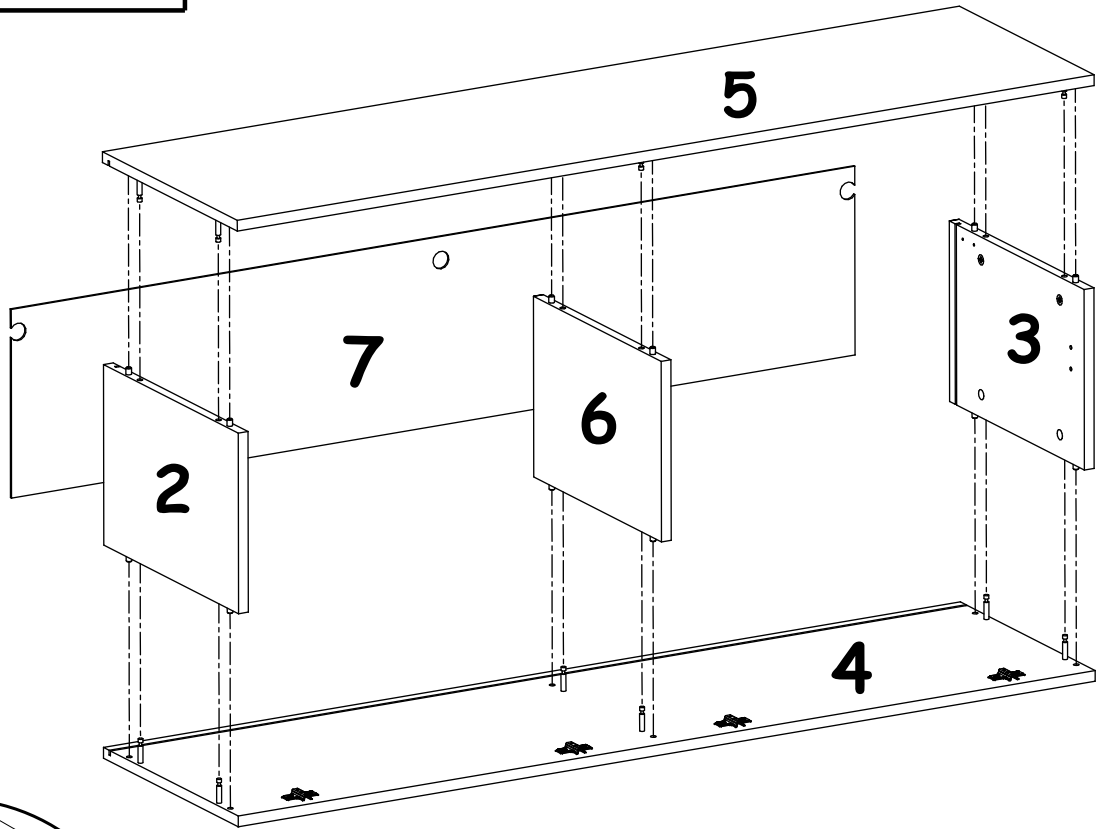
A1 X12  ø8x36	B4 X12 	B5 X12  ø15x12	G5 X12 	E1 X4  H=0	E2 X4  H=0
G21 X2 	ZR1 X3 	KR2 X3 	S1 X10 	D7 X6  USØ3x16	D6 X6  USØ3,5x30
D10 X14  USØ3,5x13	G2 X1 	T0 X1 			



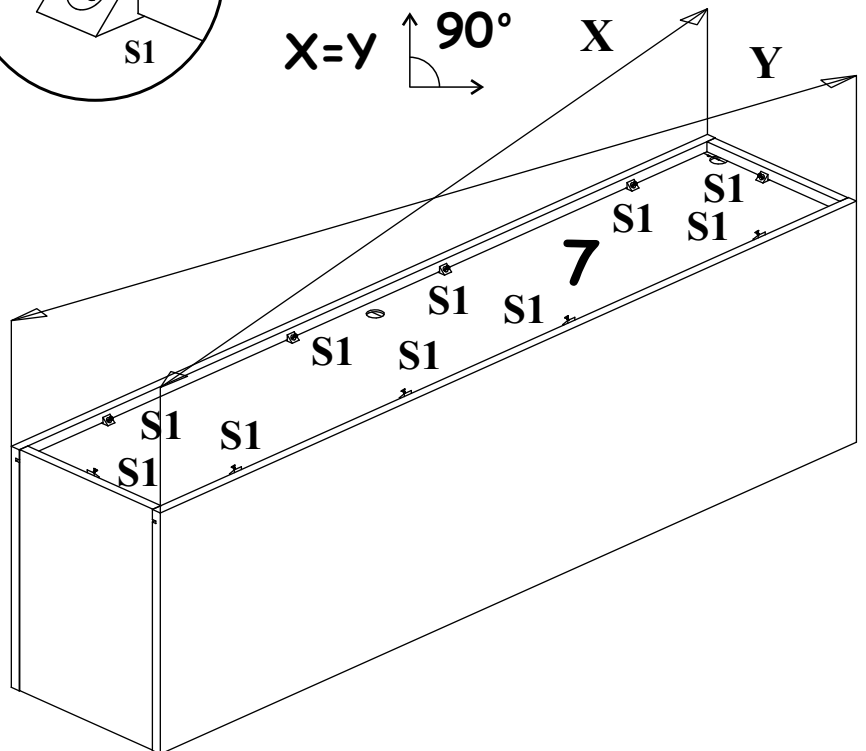
1



2

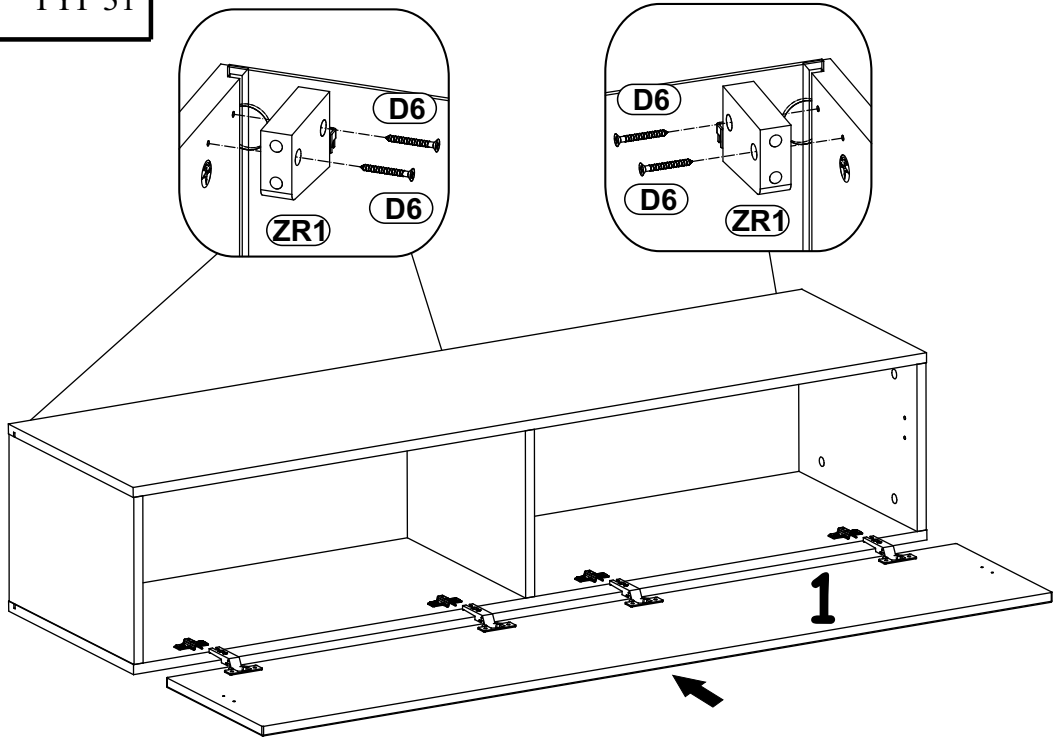


$X=Y$   $90^\circ$

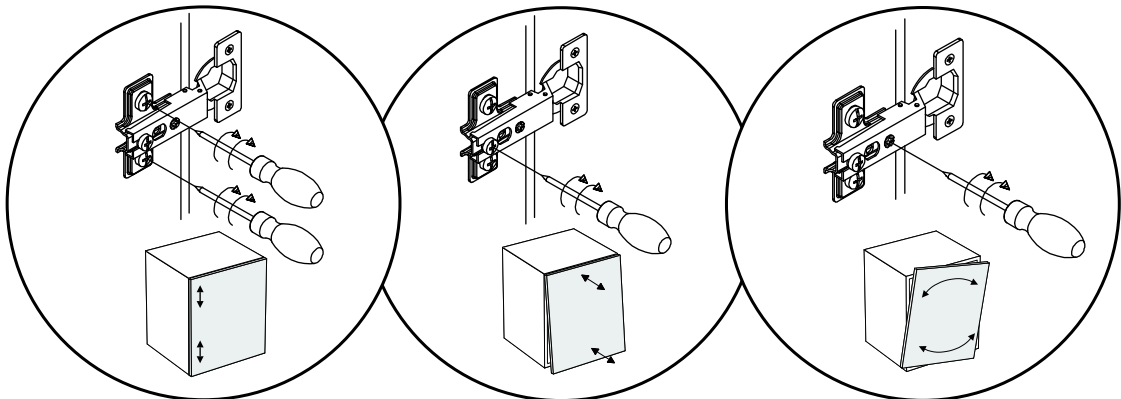
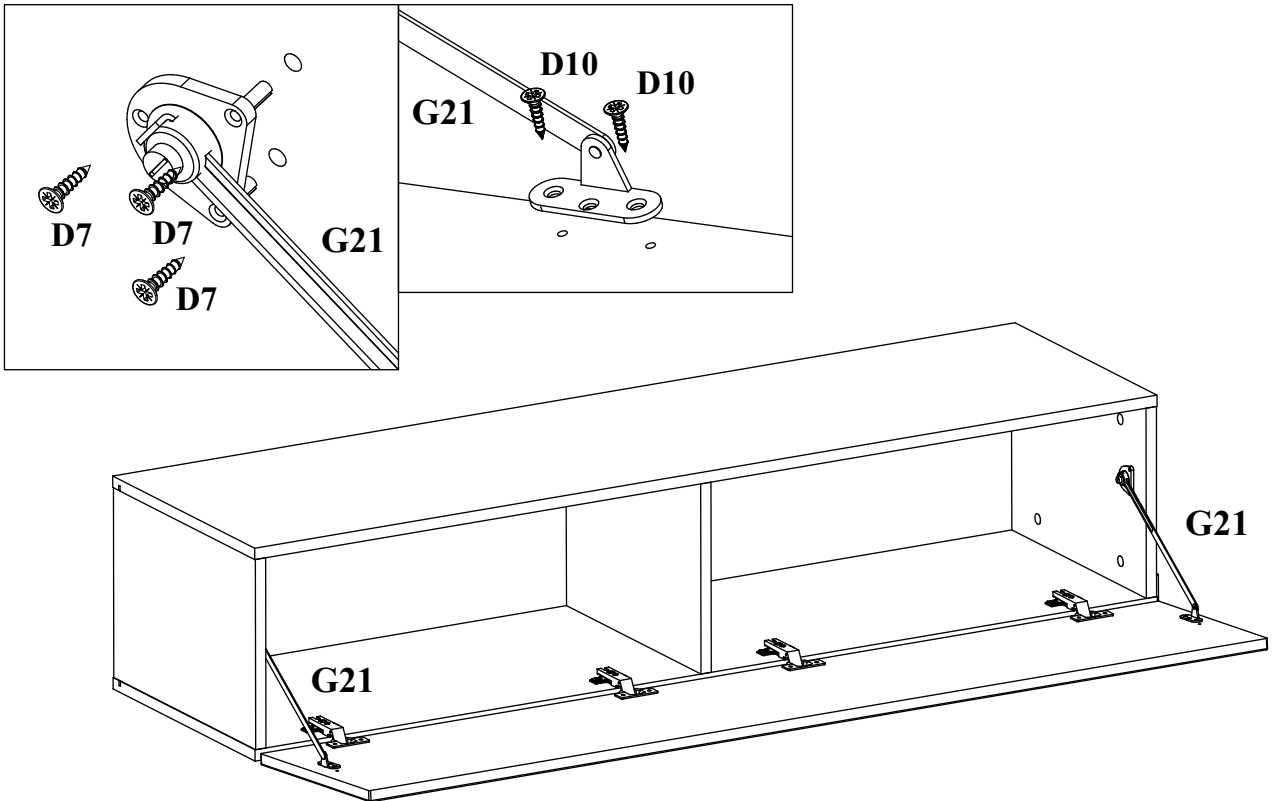




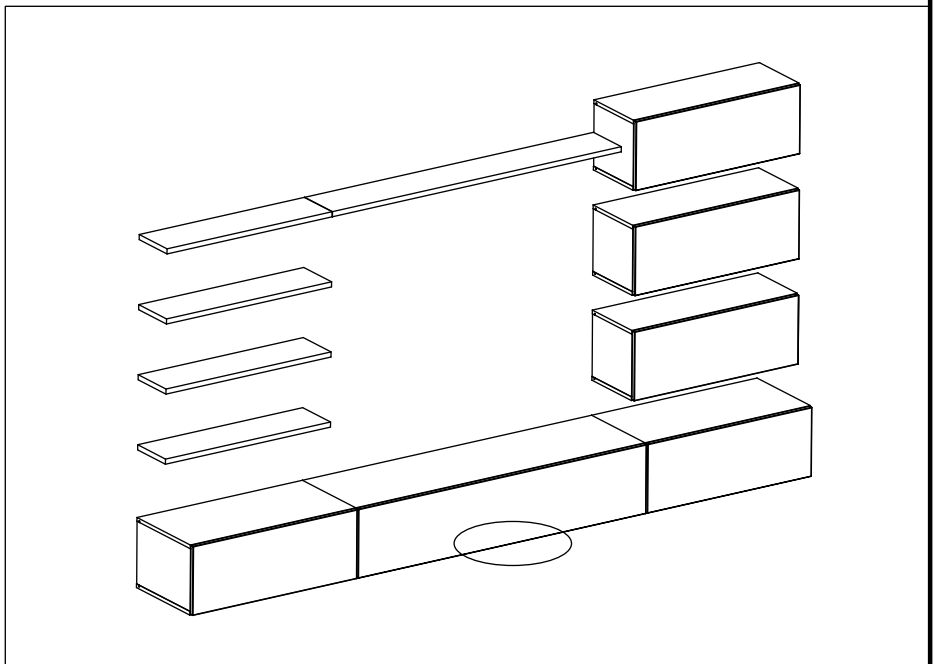
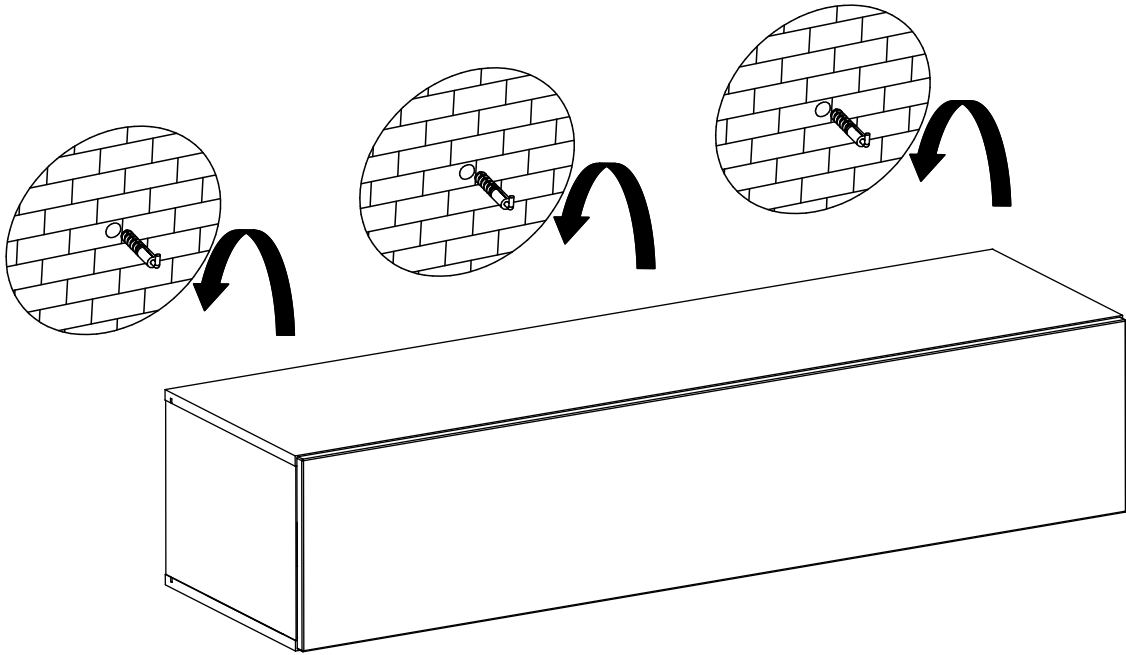
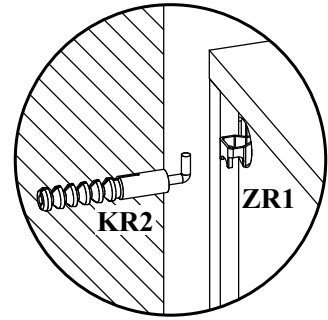
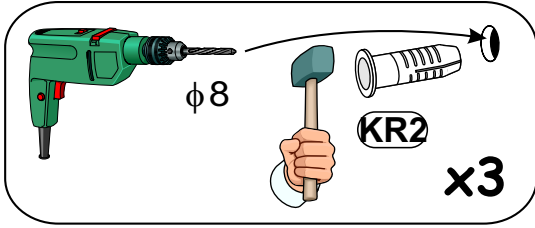
3

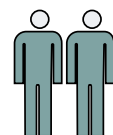
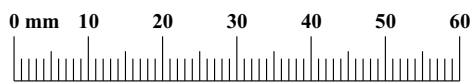
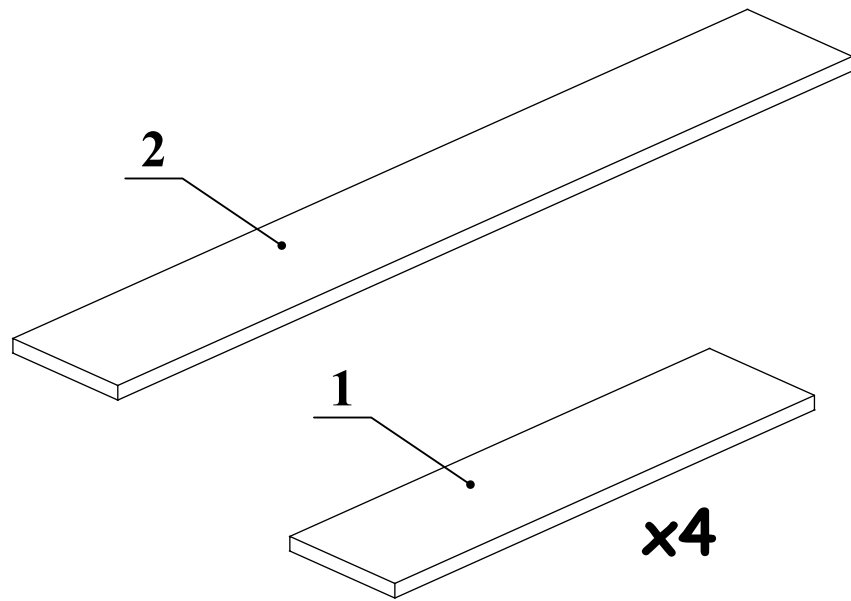
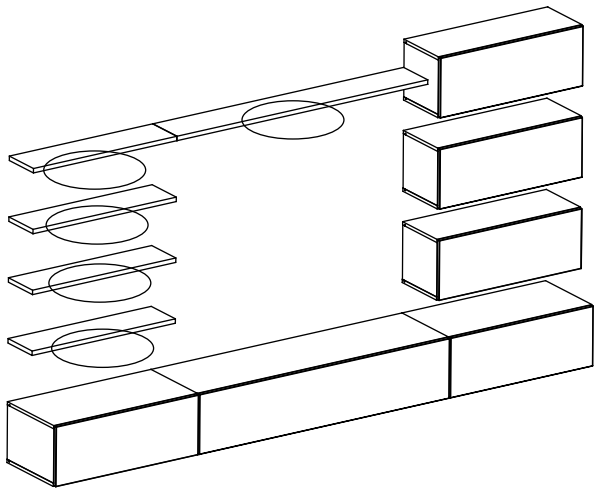


4



5





60 min

